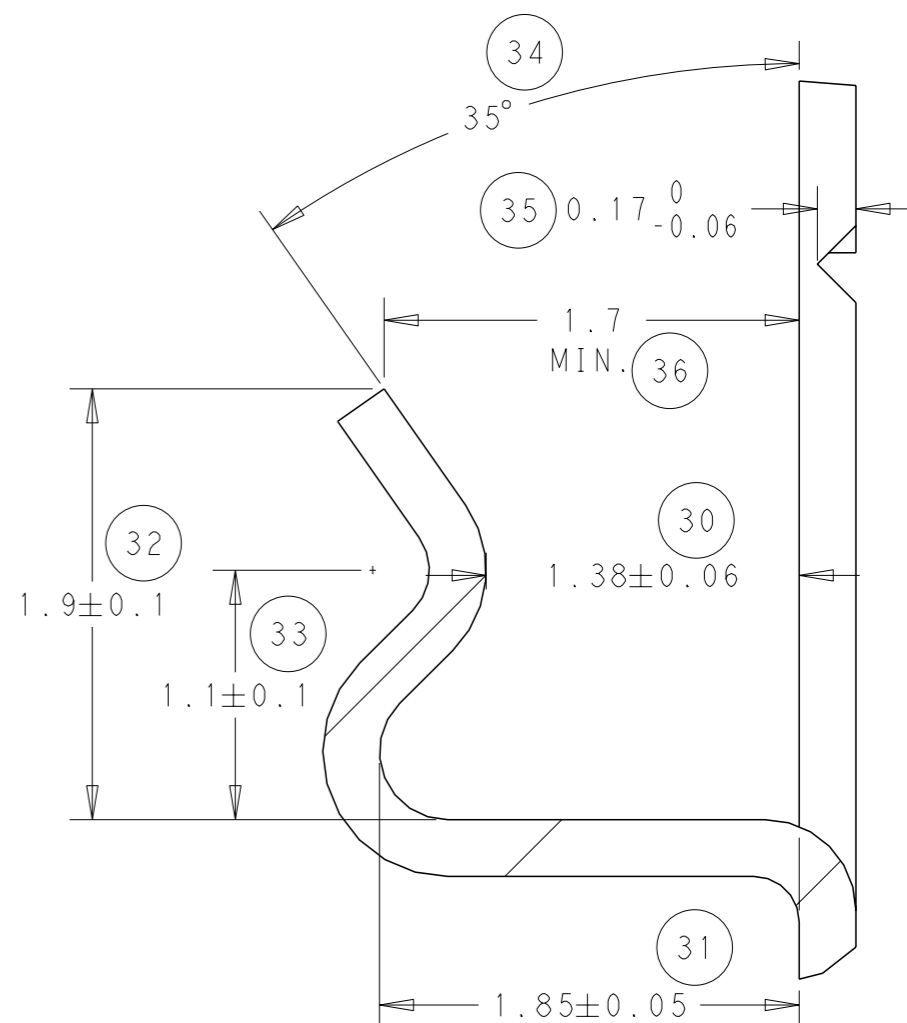
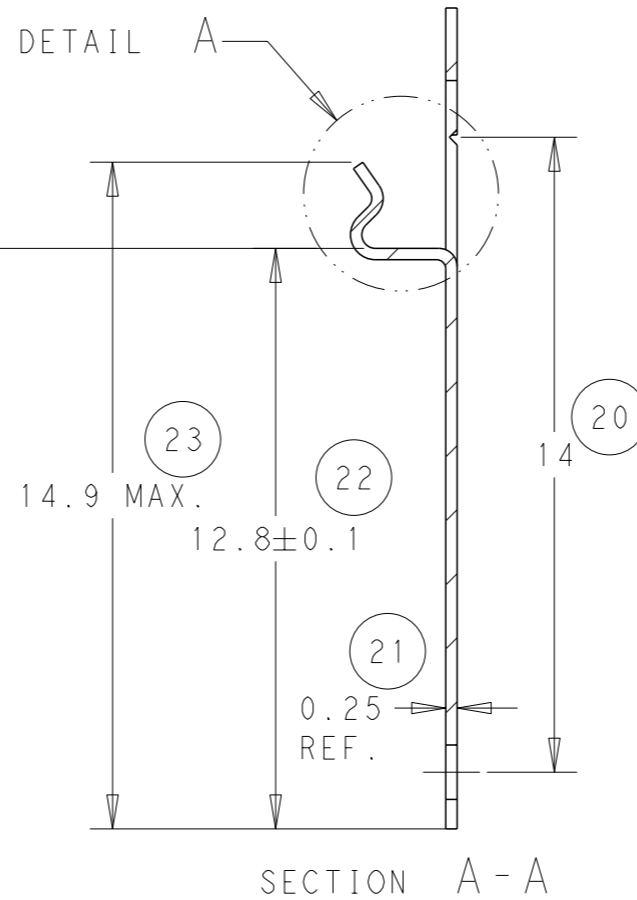
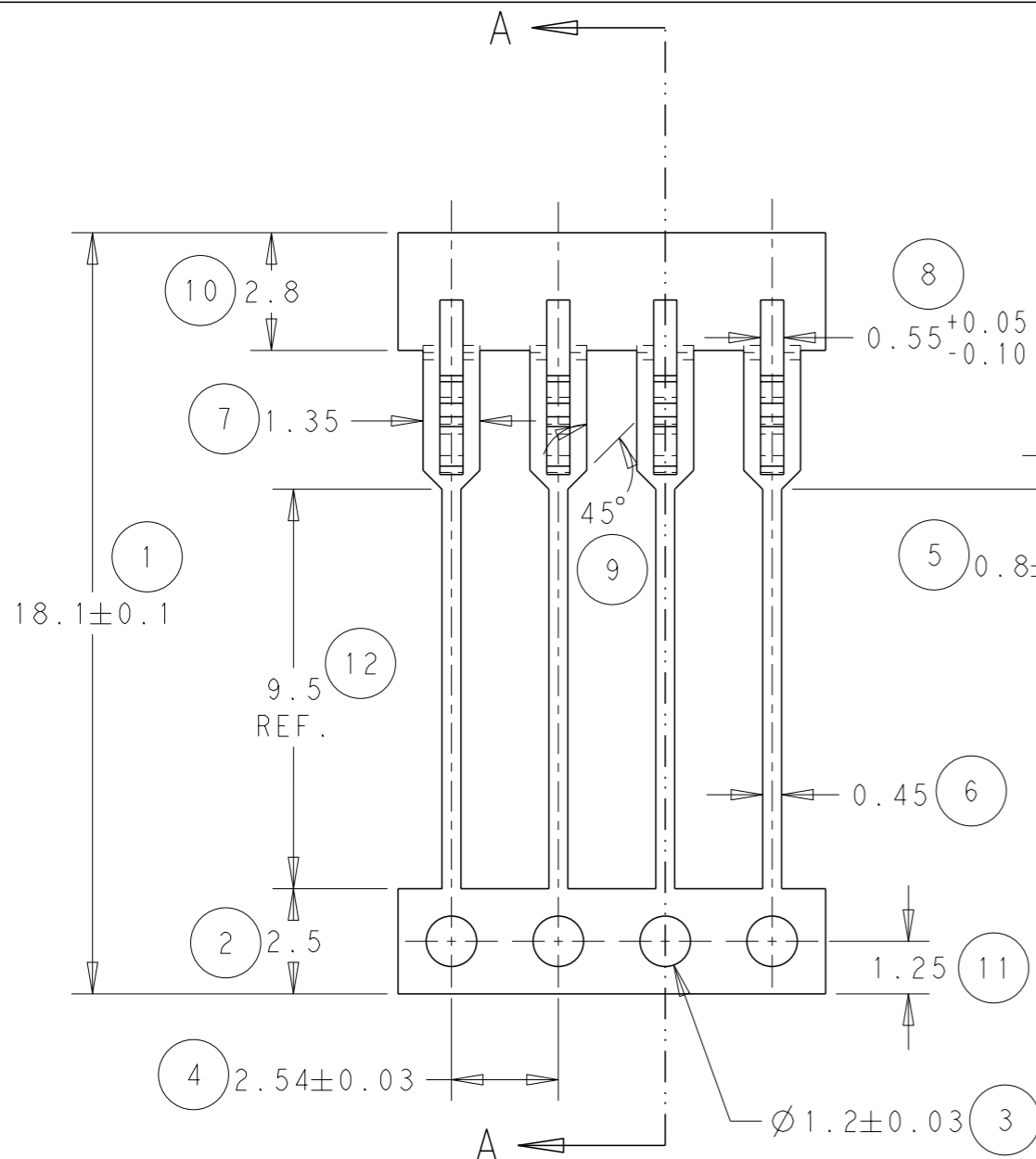
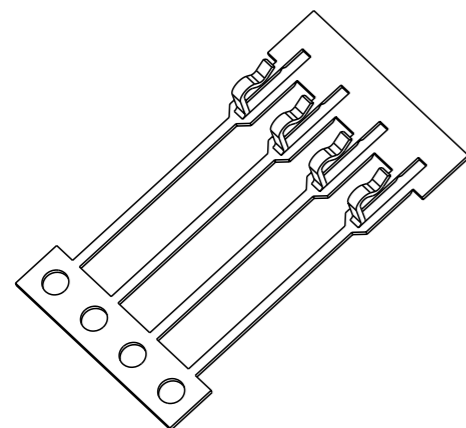


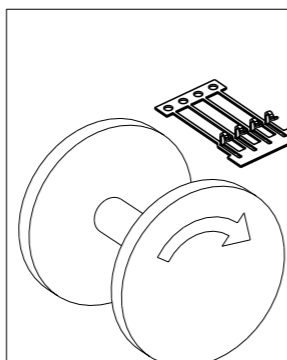
LOC	DIST	REVISIONS					
		P	LTR	DESCRIPTION	DATE	DWN	APVD
B	-	E		ECR-11-019441	22/09/11	JB	MG



NOTE
 BOWING: AFTER UPPER TIE BAR REMOVAL - 1.5mm MAX. FOR 500mm
 PITCH: AFTER UPPER TIE BAR REMOVAL - 2.54 ± 0.127



SCALE 3:1



DIRECTION OF TOP OF REEL

DIRECTION "0"
 CONTACTS DOWN
 DIRECTION "1"
 CONTACTS UPWARDS
 DIRECTION

THIS DRAWING IS A CONTROLLED DOCUMENT.

DIMENSIONS:	TOLERANCES UNLESS OTHERWISE SPECIFIED:
mm	0 PLC ±-
	1 PLC ±-
	2 PLC ±0.05
	3 PLC ±-
	4 PLC ±-
	ANGLES ±0.5
	FINISH -

MATERIAL SEE ABOVE

0	Ni & Sn	1544296-1
REELING	FINISH	PART NUMBER
DWN J. BRIGHT 22/09/11		
CHK M. GREENER 22/09/11		
APVD D. PENNINGTON 22/09/11		
PRODUCT SPEC		
APPLICATION SPEC	NAME SIL LEADFRAME	
WEIGHT	SIZE A3	CAGE CODE 00779
CUSTOMER DRAWING	DRAWING NO C-1544296	RESTRICTED TO
	SCALE NTS	SHEET 1 OF 1
		REV E

单击下面可查看定价，库存，交付和生命周期等信息

[>>TE Connectivity\(泰科\)](#)