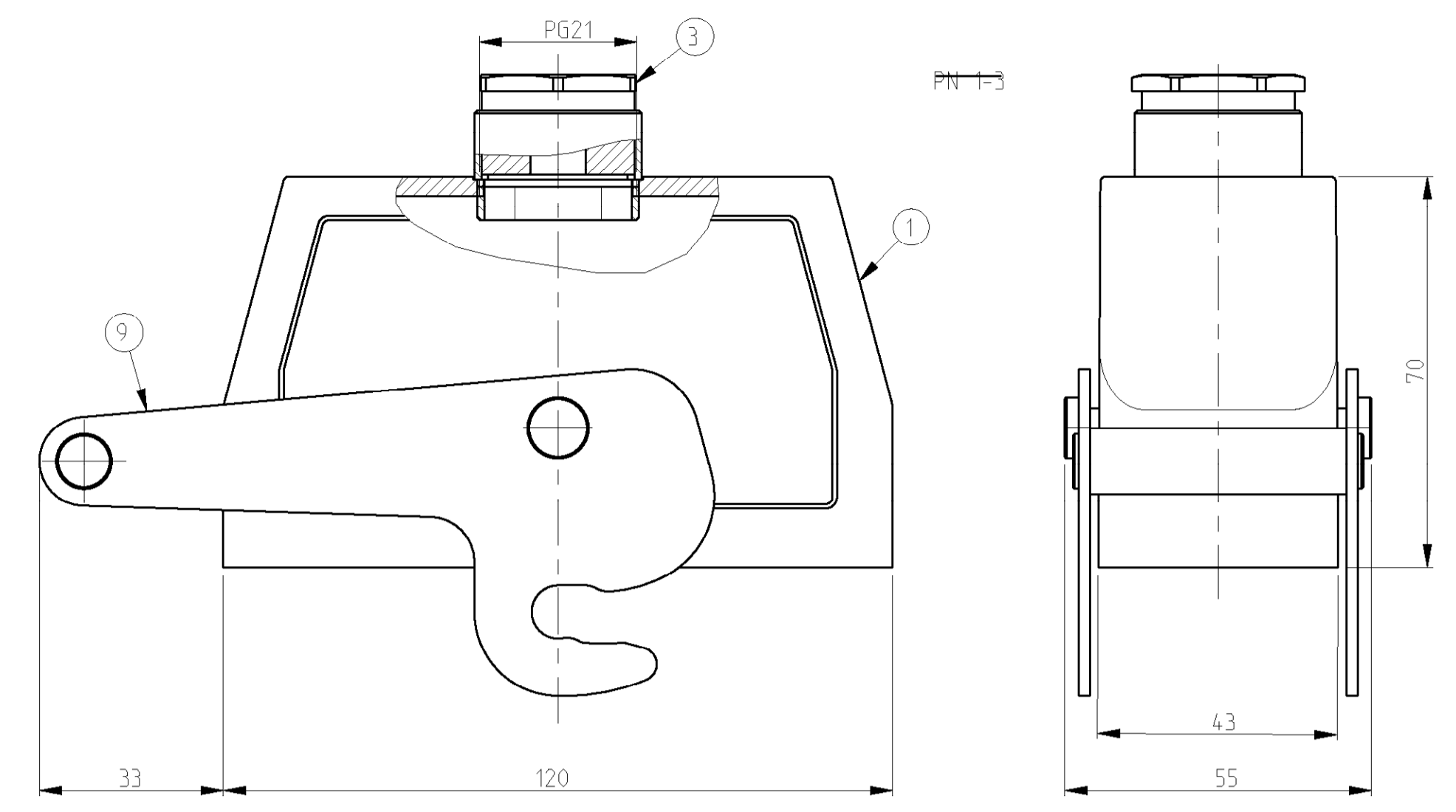
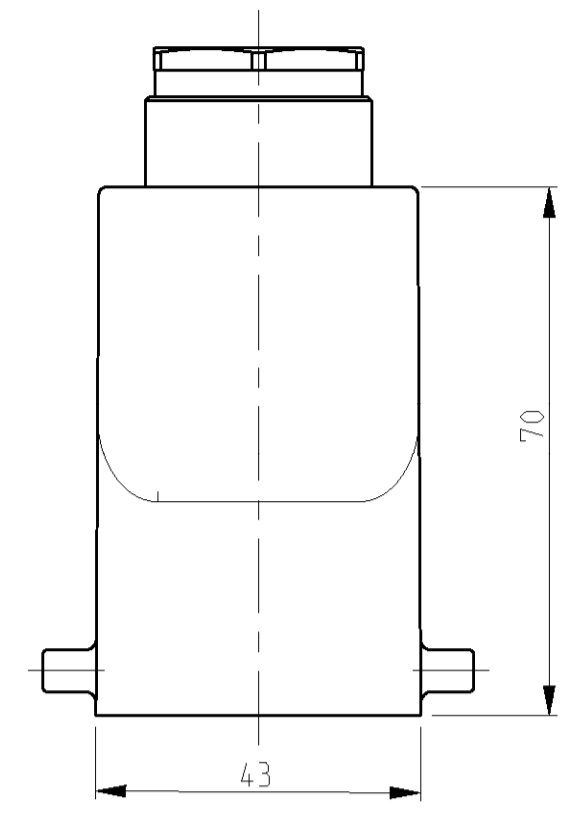
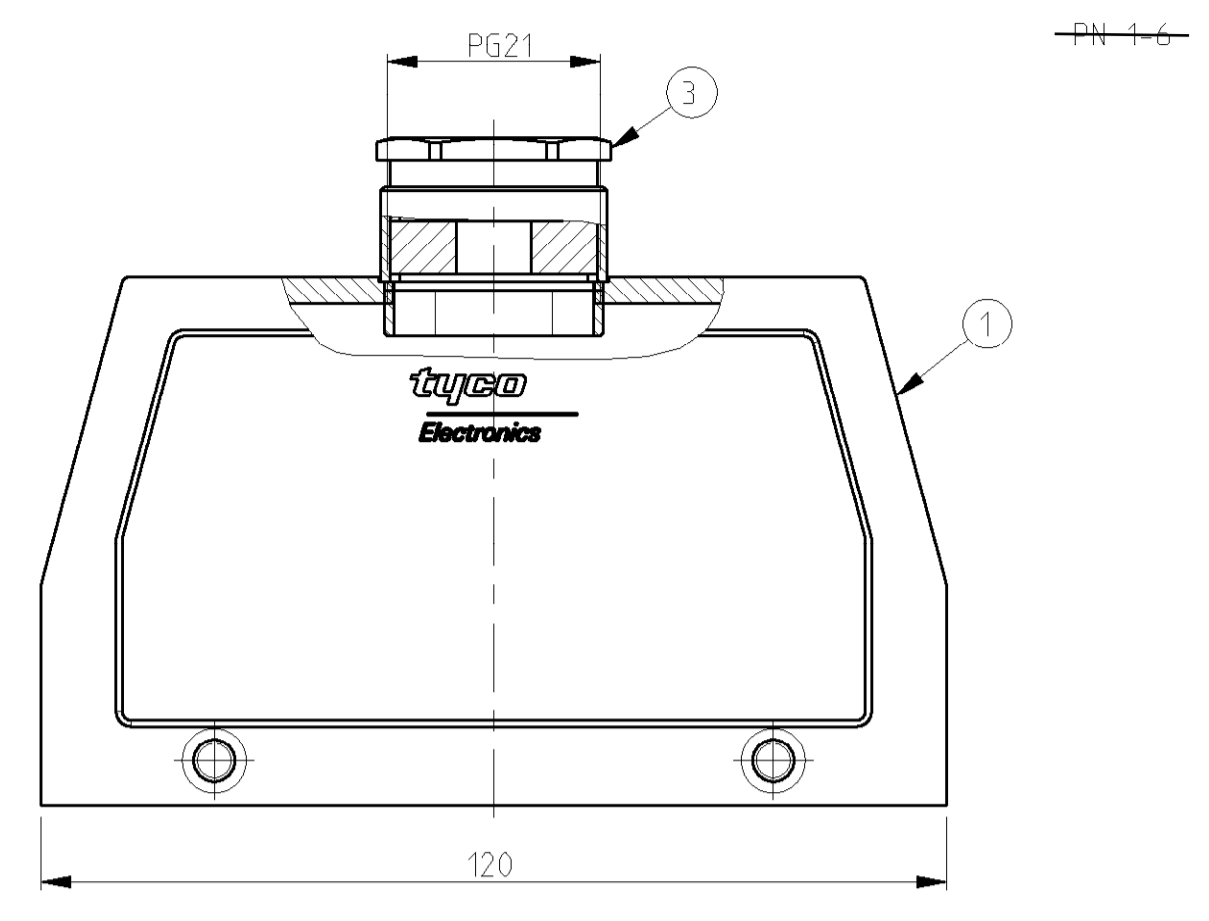
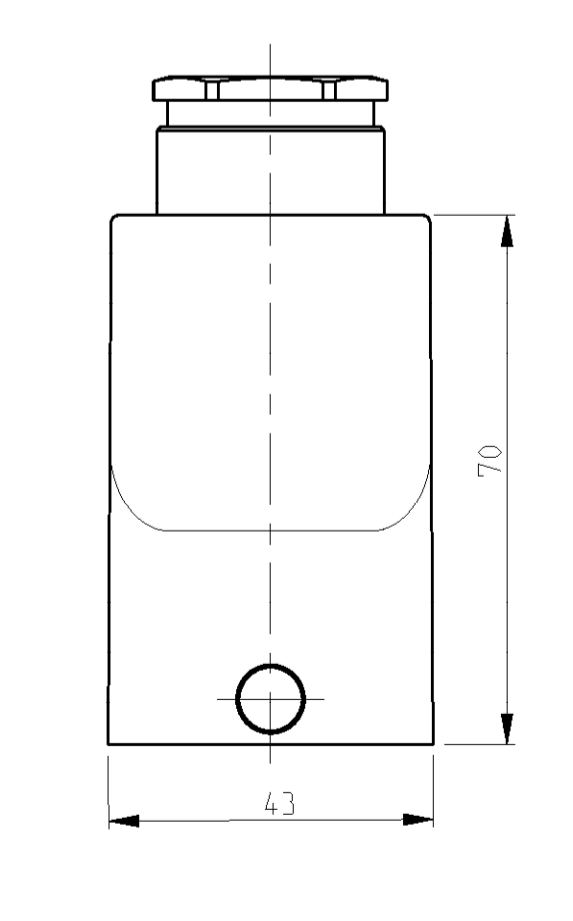
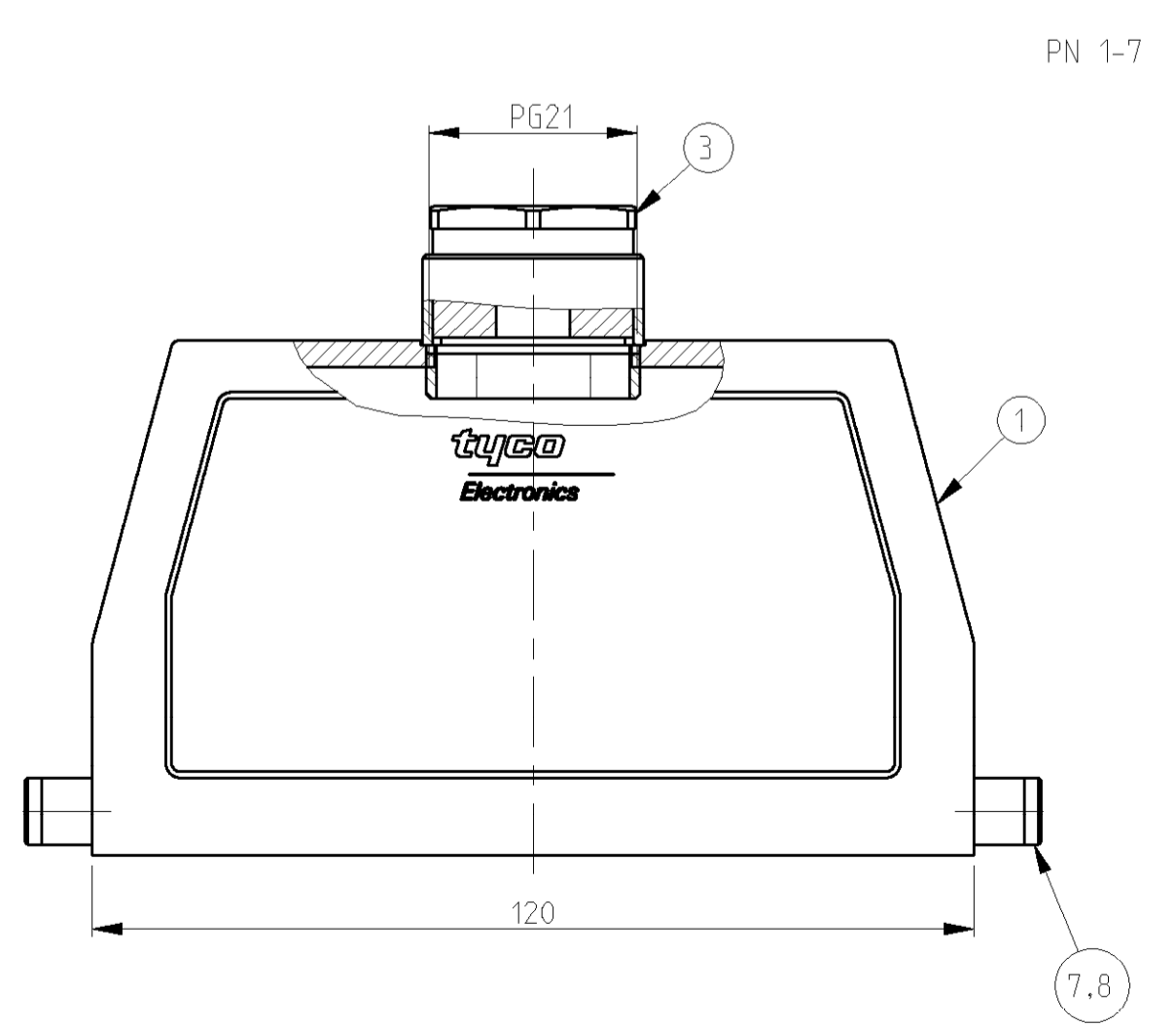
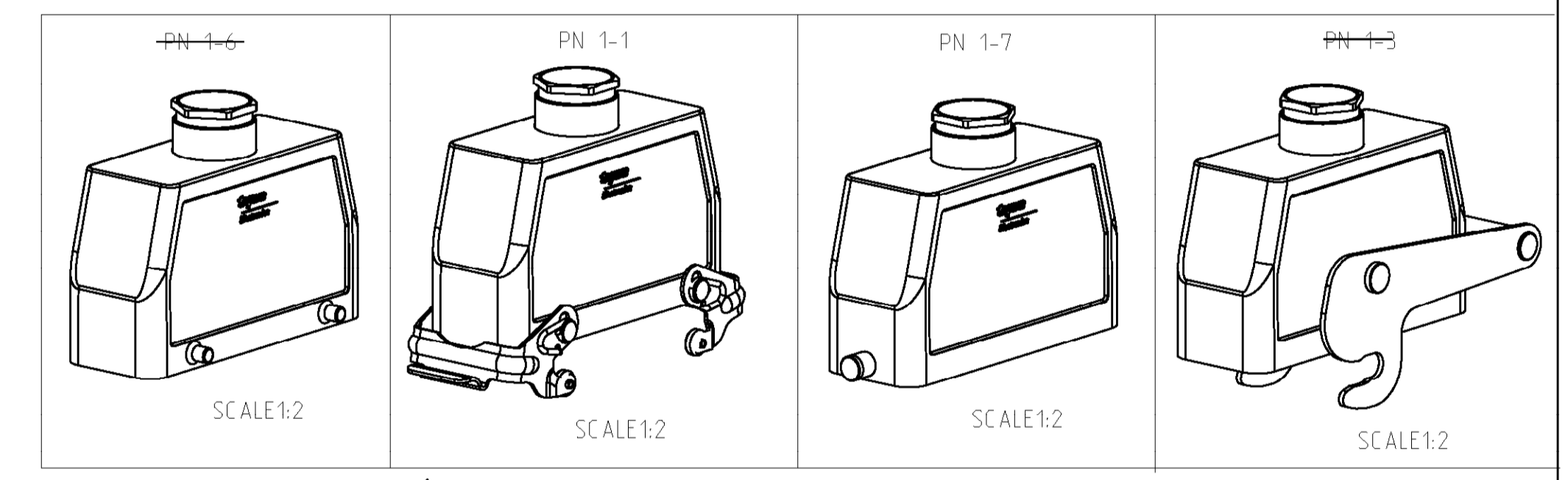
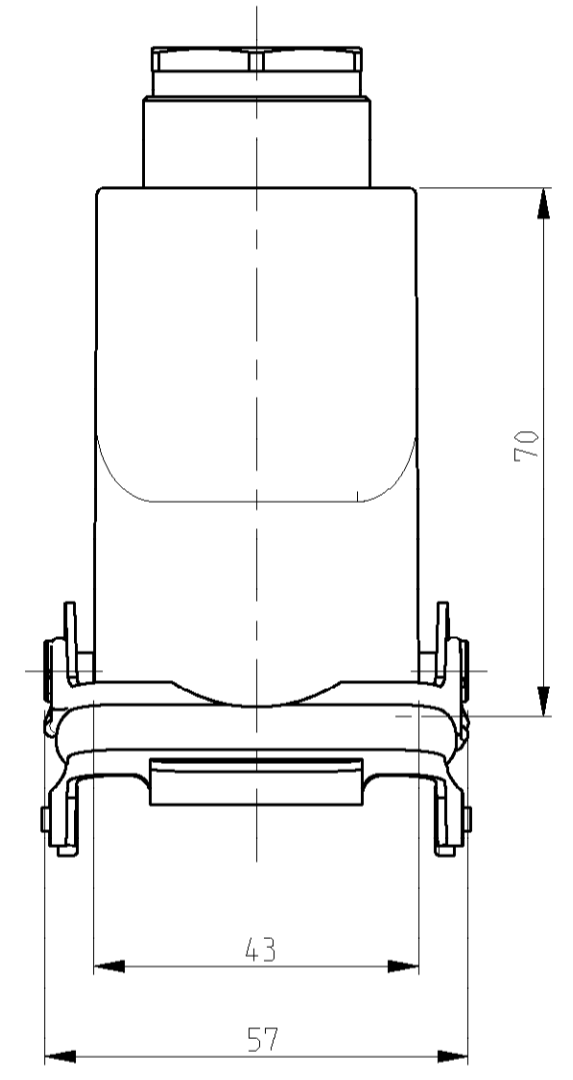
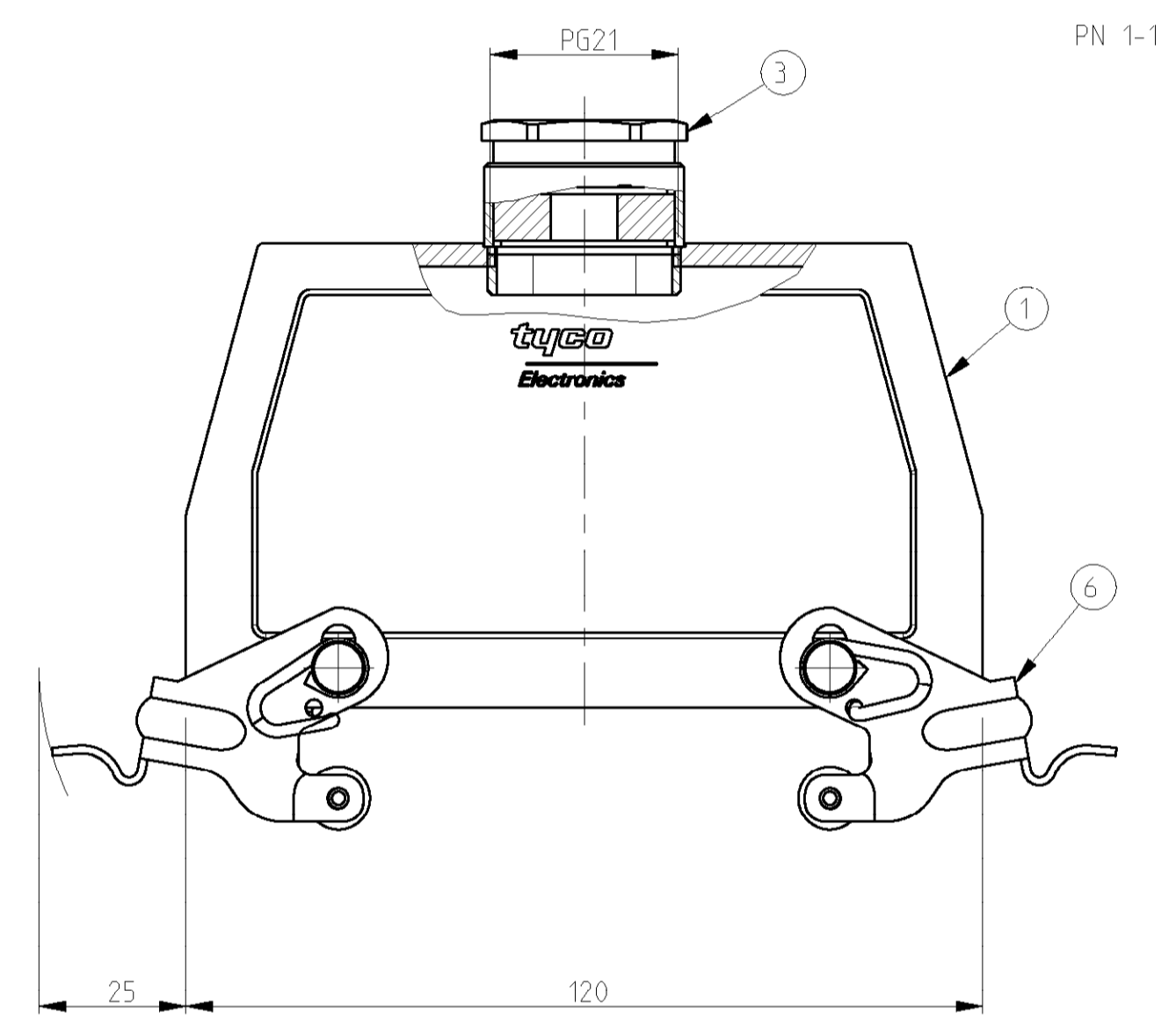


LOC	DIST	REVISIONS			
P	LYR	DESCRIPTION	DATE	DWN	APVD
A4		REVISED PER ECO-09-027197	19JAN10	KK	HMR
A5		ECR-17-013084	02APR18	SG	MKO



- NOTES:
- Material:Housing:Aluminium Diecasting Alloy
 - Surface:Varnish grey
 - Varnish on the inside not necessary
 - Packaging
Quantity 5 Pieces in a box
- OBSOLETE PARTS: OBSOLETE CIS STREAMLINING PER D.RENAUD/D.SINISI**



QTY	DESCRIPTION	MATERIAL	SURFACE	COLOR	ITEM NO	REMARKS
2	ZB-Central clip	Steel	Zinc plated	Blue	9	
	LB-Clip bolt	Stainless steel	-	-	8	
2	LB-Clip bolt	Steel	Zinc plated	Blue	7	
	VS-Locking clip	Steel	Zinc plated	Blue	6	
4	VS-Clip bolt	Stainless steel	-	-	5	
1	Hut Gland fitting Pg21	Brass	Nickel plated	-	4	
1	PG Gland fitting Pg21	Brass	Nickel plated	-	3	
1	HB Hood .24.Sto.1.21	Aluminium	Aluminium oxide	Black	2	
1	HB Hood .24.Sto.1.21	Aluminium	-	Grey	1	

ORDERING TEXT

HB-24.STO-1.21

HB-K.24.STO-1.21

HB.24.STO-VS.1.21

HB.24.STO-GR.1.21

HB-K.STO-GR.1.21

HB-Z.24.STO-ZD.1.21

DIMENSIONS: mm TOLERANCES UNLESS OTHERWISE SPECIFIED: 0 DIM MESH-10 1 PLC ±0.1 2 PLC ±0.2 3 PLC ±0.3 4 PLC ±0.4 5 PLC ±0.5 6 PLC ±0.6 7 PLC ±0.7 8 PLC ±0.8 9 PLC ±0.9 10 PLC ±1.0 11 PLC ±1.1 12 PLC ±1.2 13 PLC ±1.3 14 PLC ±1.4 15 PLC ±1.5 16 PLC ±1.6 17 PLC ±1.7 18 PLC ±1.8 19 PLC ±1.9 20 PLC ±2.0		DWN: 31.07.2000 CDR: 31.07.2000 APVD: - NAME: Schneider PRODUCT SPEC: 108-74001 108-74003 APPLICATION SPEC: 114-74001 114-74004 WEIGHT: - FINISH: -	DWN: 31.07.2000 CDR: 31.07.2000 APVD: - NAME: Schneider PRODUCT SPEC: 108-74001 108-74003 APPLICATION SPEC: 114-74001 114-74004 WEIGHT: - FINISH: -	TE TE Connectivity Hood HB.24.STO.1.21 SIZE: A 00779 C=1102323 SCALE: 1:1 SHEET: 1 OF 1 REV: A5
--	--	--	--	--

单击下面可查看定价，库存，交付和生命周期等信息

[>>TE Connectivity\(泰科\)](#)