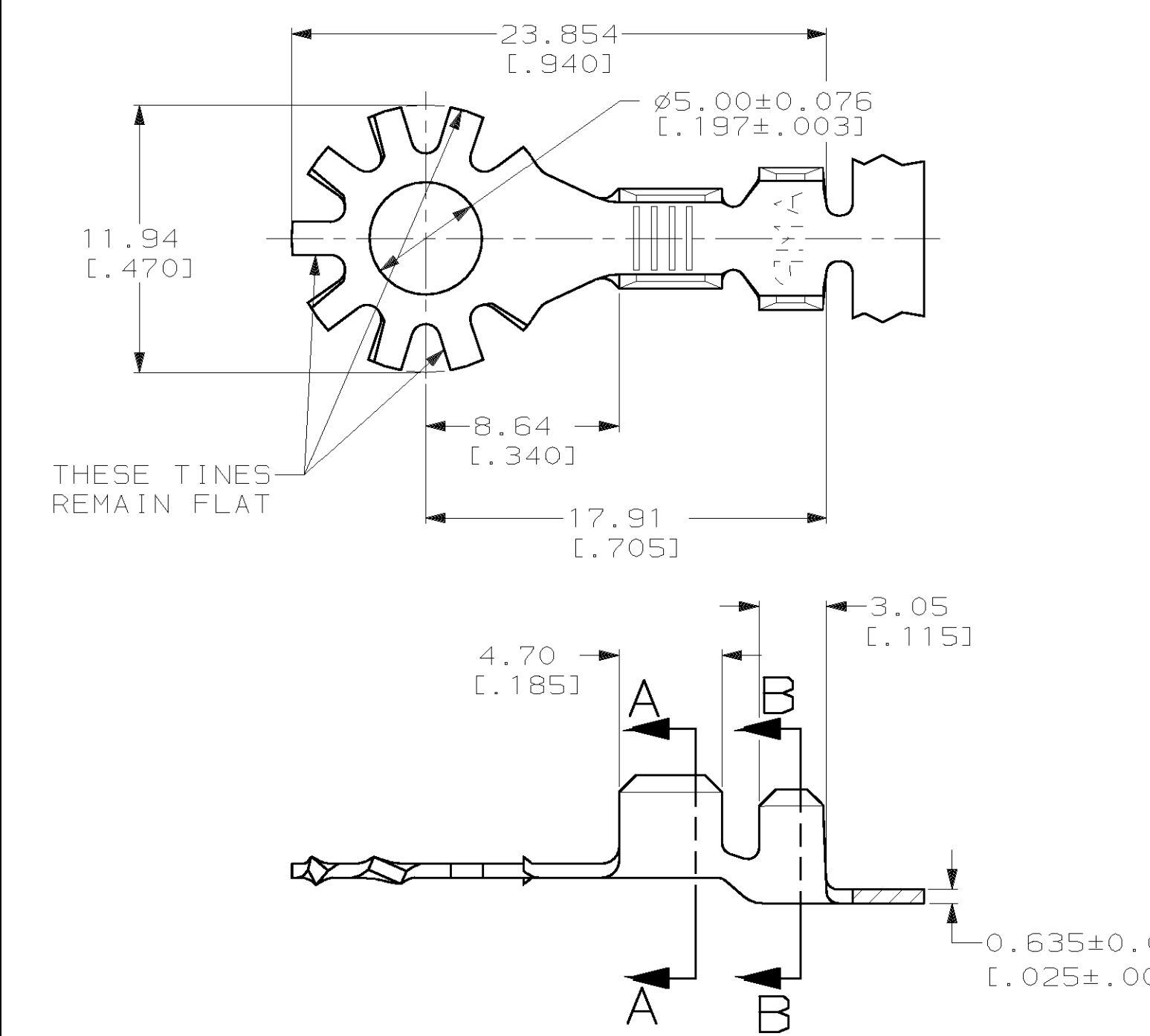
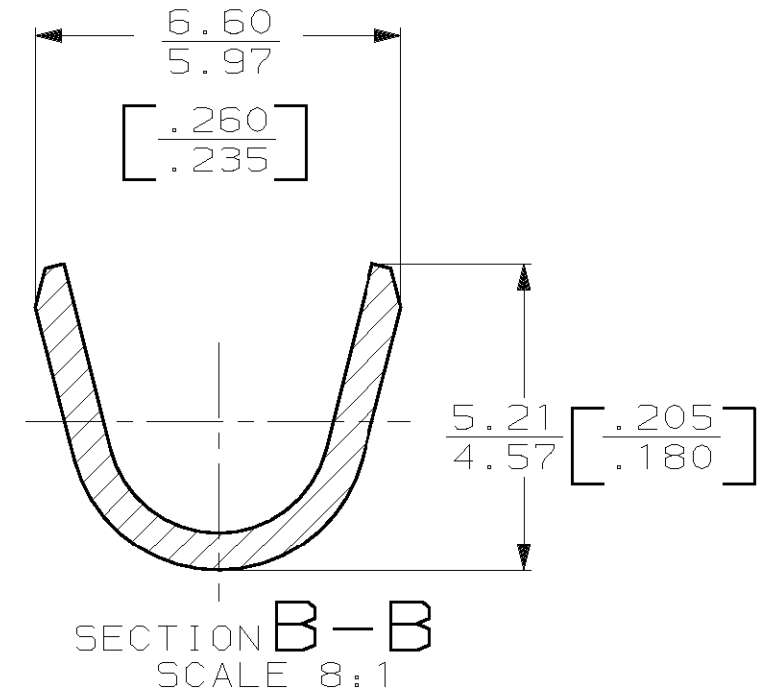
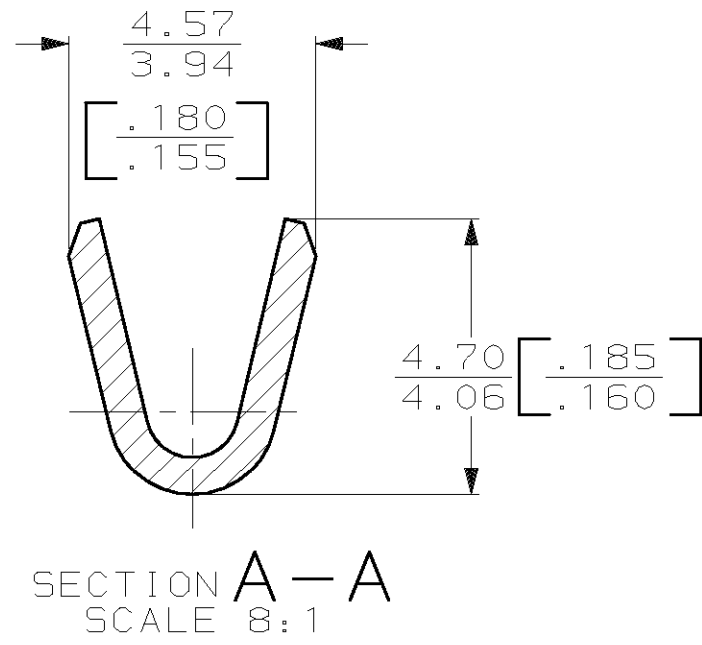


THIS DRAWING IS UNPUBLISHED. RELEASED FOR PUBLICATION, 19 .  
 © COPYRIGHT 19 BY AMP INCORPORATED. ALL INTERNATIONAL RIGHTS RESERVED.

LOC	DIST	P	F	ZONE	LTR	DESCRIPTION	DATE	APPD
AF	50				B	REV PER 063A-0429-01	25JUL01	JR/DD



1 CONTINUOUS STRIP ON REEL.



THIS DRAWING IS A CONTROLLED DOCUMENT FOR AMP INCORPORATED. IT IS SUBJECT TO CHANGE AND THE CONTROLLING ENGINEERING ORGANIZATION SHOULD BE CONTACTED FOR THE LATEST REVISION.

2.16-3.56 DIA [.085-.140]	0.8-2.0mm <sup>2</sup> [18-14] AWG	63707-1
INSULATION RANGE	WIRE RANGE	PART NO
DO NOT SCALE PRINT. UNLESS SPECIFIED DIMENSIONS IN mm [INCHES] TOLERANCES ON: 2 PLC DEC ± 0.25 [.010] 3 PLC DEC ± - ANGLES ± -	DR 5/27/93 PHIL FORTNEY CHK 5/27/93 JR RUTH APPD 5/27/93 G YETTER APPD 5/27/93 R WEAVILL	<b>AMP</b> AMP Incorporated Harrisburg, PA 17105-3608
MATERIAL H04 BRASS	PRODUCT SPEC -	NAME RING, ANTI-ROTATIONAL, EXTERNAL
FINISH -	APPLICATION SPEC -	SIZE B
	WEIGHT -	CAGE CODE 00779
		DRAWING NO C-63707
		SCALE 4:1
		SHEET 1 OF 1

单击下面可查看定价，库存，交付和生命周期等信息

[>>TE Connectivity\(泰科\)](#)