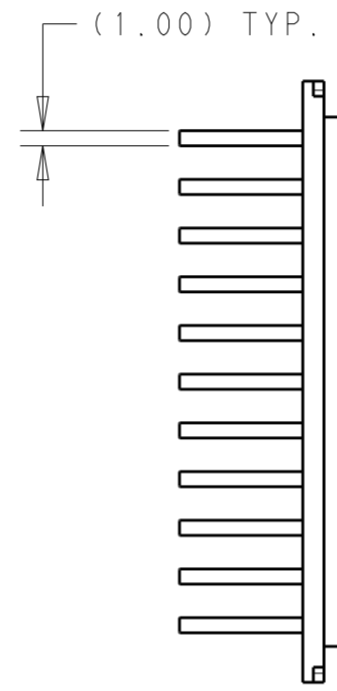
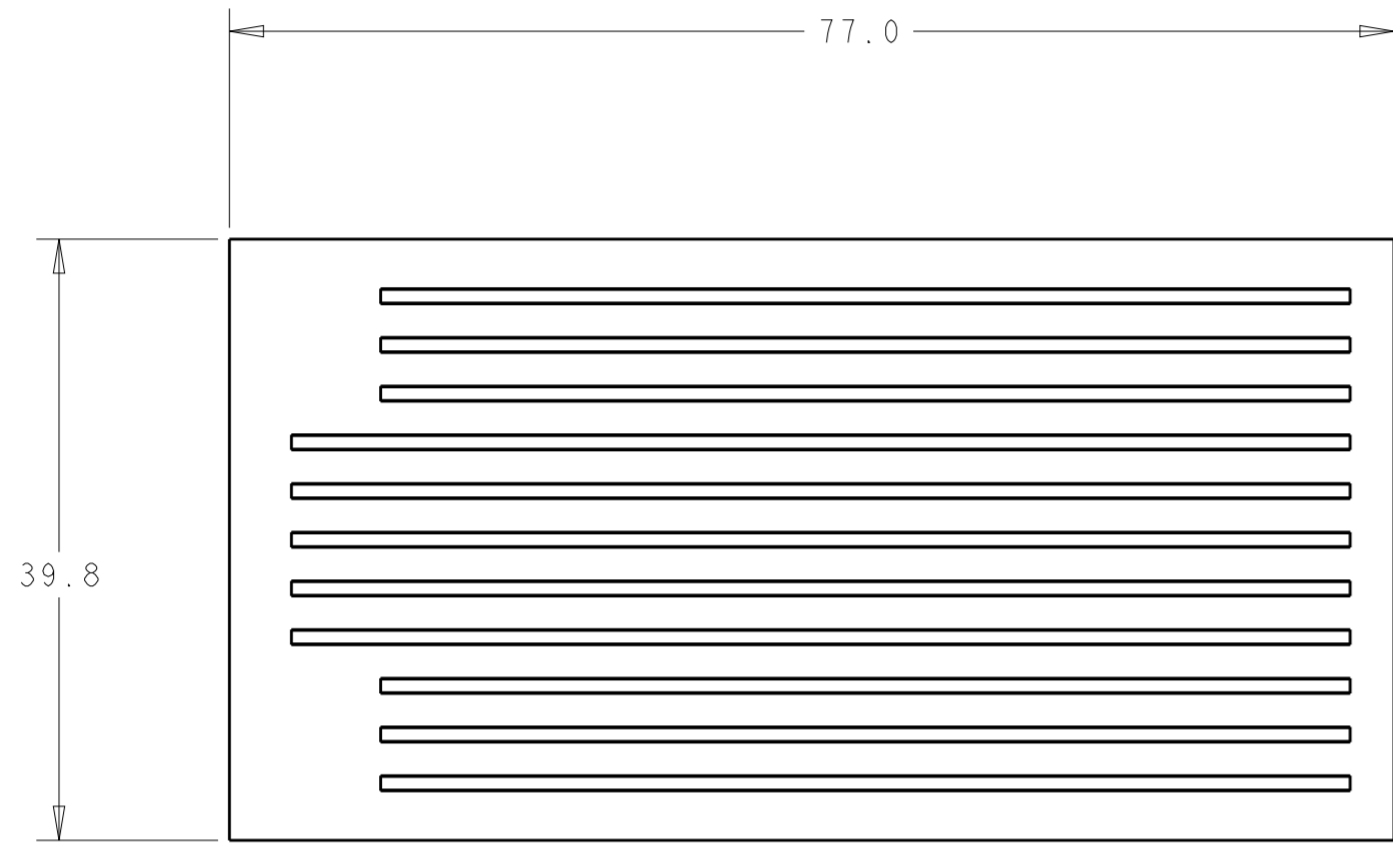
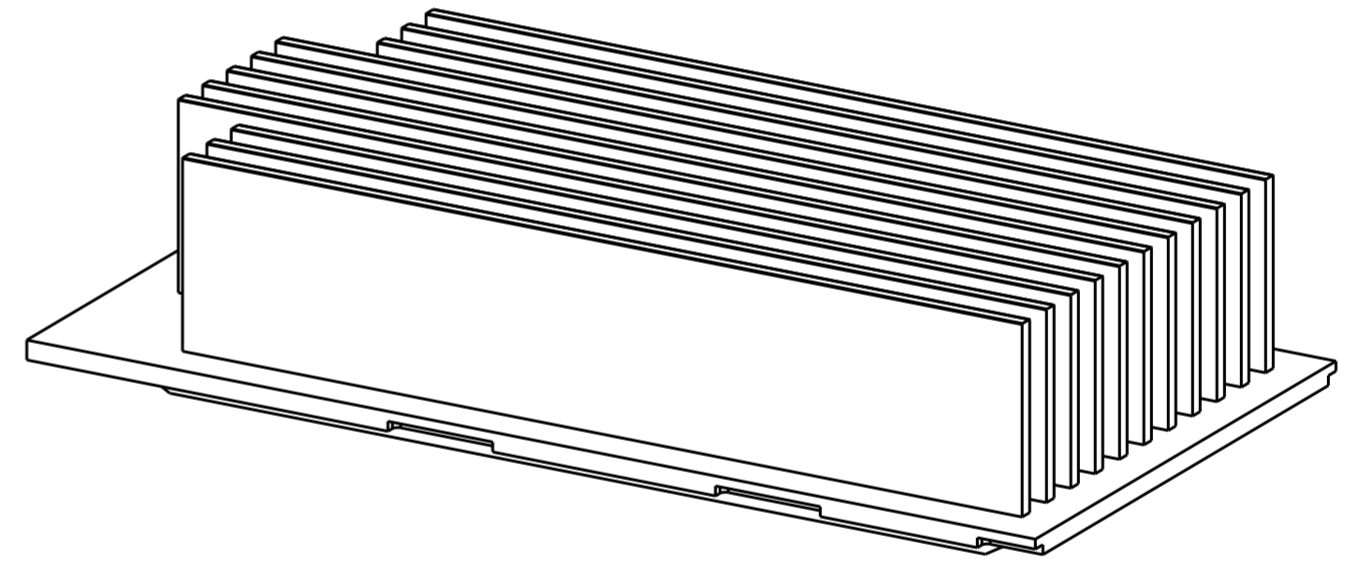


THIS DRAWING IS UNPUBLISHED. RELEASED FOR PUBLICATION 20  
 © COPYRIGHT 20 BY - ALL RIGHTS RESERVED.

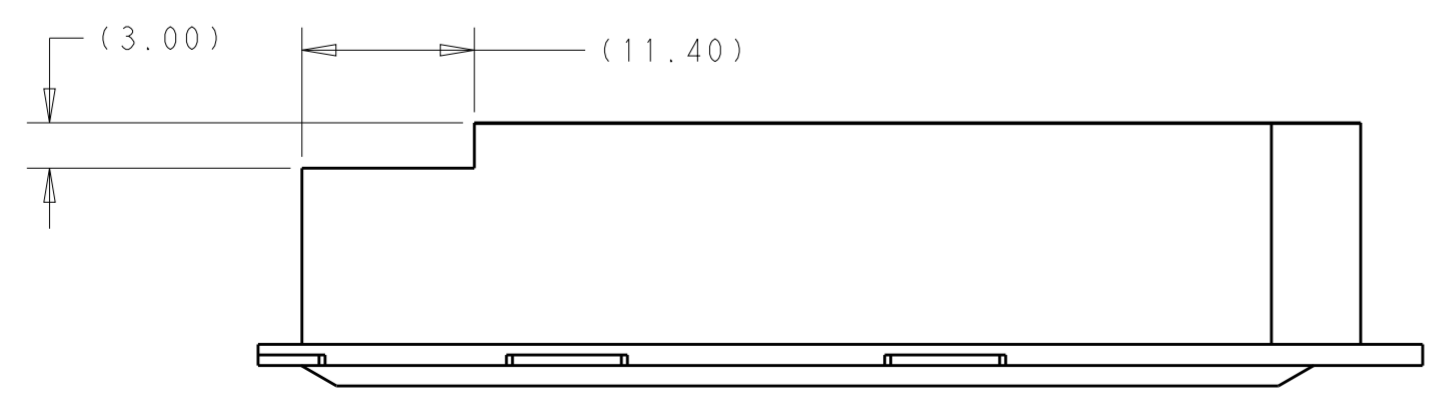
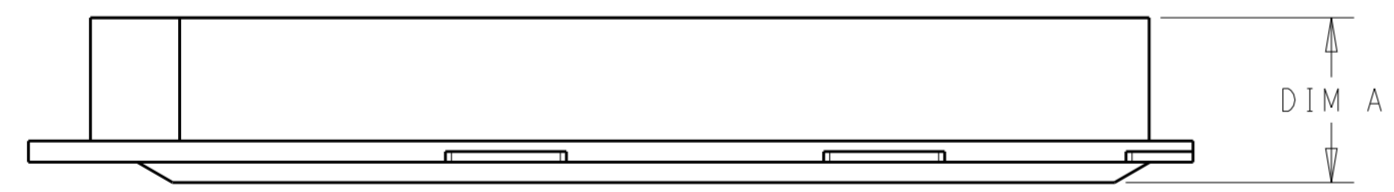
REVISIONS				
P	LTR	DESCRIPTION	DATE	APVD
A		INITIAL RELEASE	10JUL2018	AD SH



- 1 MATERIAL: ALUMINUM ALLOY;
- 2 FINISH: ELECTROLESS NICKEL;
- 3 FINISH: ANODIZED BLACK;
- 4. 0.2mm MAX BURR PERMISSIBLE
- 5. VARIATION IN PLATING COLOR IS NORMAL AND ALLOWED



2288218-6 AS SHOWN  
SCALE 2:1



2288218-8 AS SHOWN  
UNSPECIFIED DIMENSION SAME AS 2288218-1

17.4	3	2288218-8
16.35	3	2288218-6
10.9	3	2288218-3
DIM. A	FINISH	PART NUMBER

THIS DRAWING IS A CONTROLLED DOCUMENT.		DWN ANDY XIE 11OCT2016	<b>STE</b> TE Connectivity	
		CHK SEAN HAN 11OCT2016		
		APVD SEAN HAN 11OCT2016	NAME CFP2 HEAT SINK	
DIMENSIONS: mm		PRODUCT SPEC		SIZE A2
TOLERANCES UNLESS OTHERWISE SPECIFIED:		APPLICATION SPEC		CAGE CODE -
0 PLC ±		WEIGHT -		DRAWING NO C-2288218
1 PLC ±0.3		CUSTOMER DRAWING		RESTRICTED TO -
2 PLC ±0.25		SCALE 1:1		SHEET 1 OF 1
3 PLC ±				REV A
4 PLC ±				
ANGLES ±				
FINISH				

单击下面可查看定价，库存，交付和生命周期等信息

[>>TE Connectivity\(泰科\)](#)