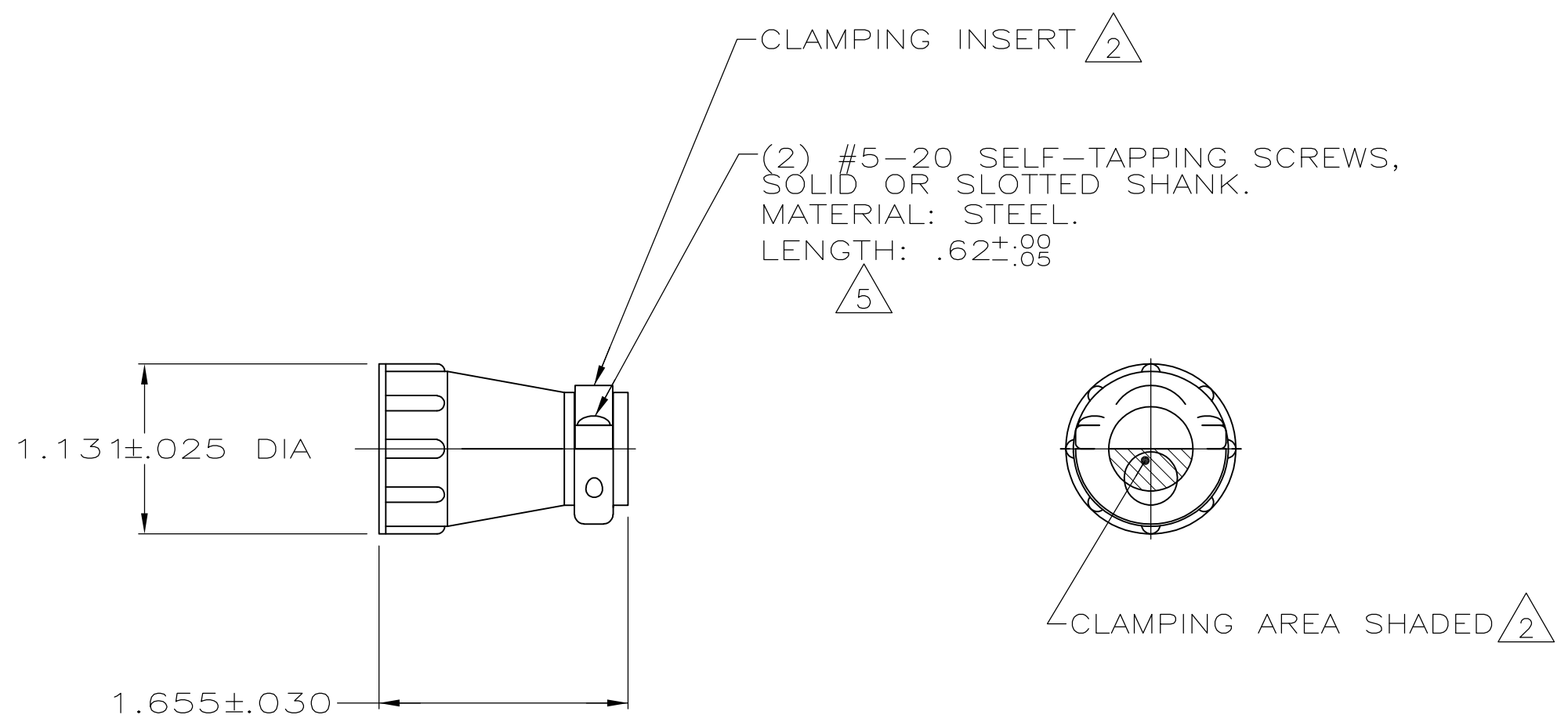


THIS DRAWING IS UNPUBLISHED. RELEASED FOR PUBLICATION
 © COPYRIGHT - By - ALL RIGHTS RESERVED.

LOC	DIST	REVISIONS					
BD	0	P	LTR	DESCRIPTION	DATE	DWN	APVD
			M1	REVISED PER ECO-11-004917	11MAR11	RK	HMR



- 1 PARTS PACKAGED UNASSEMBLED.
- △2 CABLE CLAMPING AREA ADJUSTABLE FROM .100 TO .410 SQ IN BY REVERSING CLAMPING INSERTS.
- 3 .703 MAXIMUM CABLE OUTSIDE DIAMETER.
- △4 BULK PACKAGED KITS TO BE ORDERED IN MULTIPLES OF 100 ONLY.
- △5 FINISH: ZINC NON-HEXAVALENT CHROMATE.

△5	△4	BULK	207008-6
△5	△4	INDIVIDUAL	207008-5
△5	△4	SUPERSEDED BY 207008-6 BULK	207008-2
△5	△4	SUPERSEDED BY 207008-5 INDIVIDUAL	207008-1
		PACKAGING	PART NUMBER

THIS DRAWING IS A CONTROLLED DOCUMENT.		DWN	A GRAFF	4/23/91	STE TE Connectivity		
DIMENSIONS: INCHES		CHK	W.G.LENKER	7-23-92			
TOLERANCES UNLESS OTHERWISE SPECIFIED:		APVD	-	-	NAME		
0 PLC ± - 1 PLC ± - 2 PLC ± - 3 PLC ± - 4 PLC ± - ANGLES ± -		PRODUCT SPEC		CABLE CLAMP KIT, LARGE, SHELL SIZE 13, CPC			
MATERIAL THERMOPLASTIC		FINISH -		APPLICATION SPEC		108-10024	
		WEIGHT	-	SIZE	A3	CAGE CODE	00779
		CUSTOMER DRAWING		DRAWING NO	C-207008		RESTRICTED TO
				SCALE	1:1	SHEET	1 OF 1
						REV	M1

单击下面可查看定价，库存，交付和生命周期等信息

[>>TE Connectivity\(泰科\)](#)