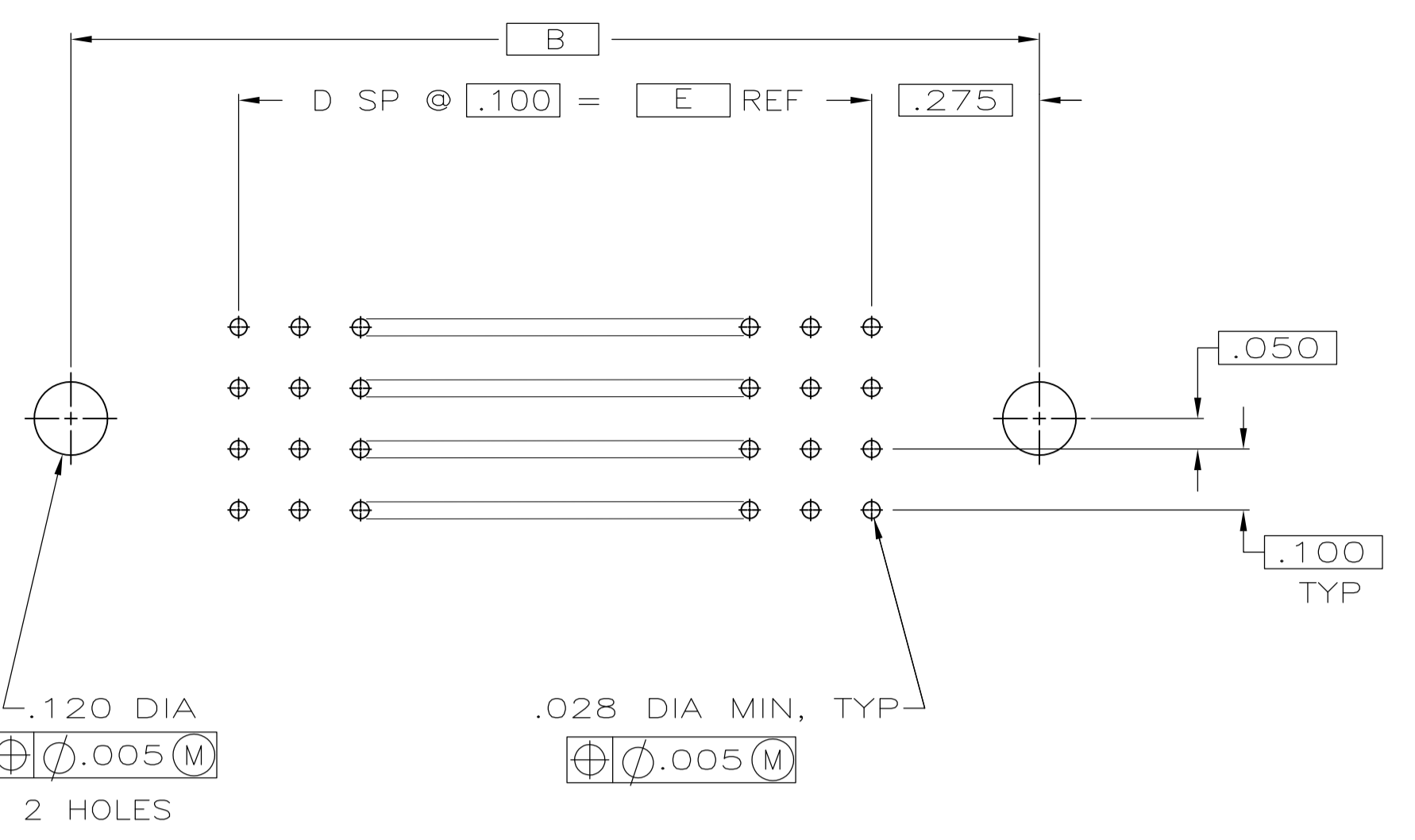
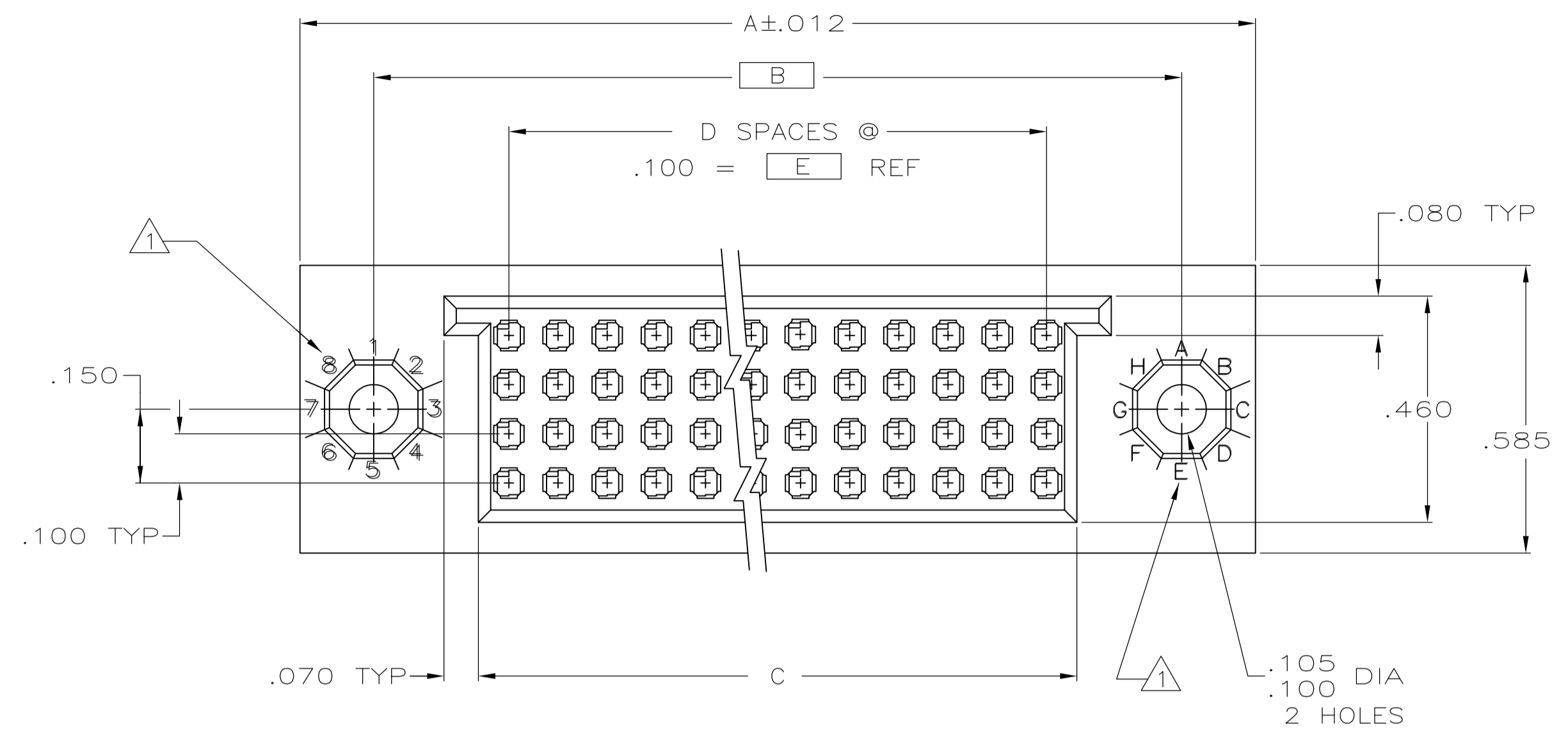
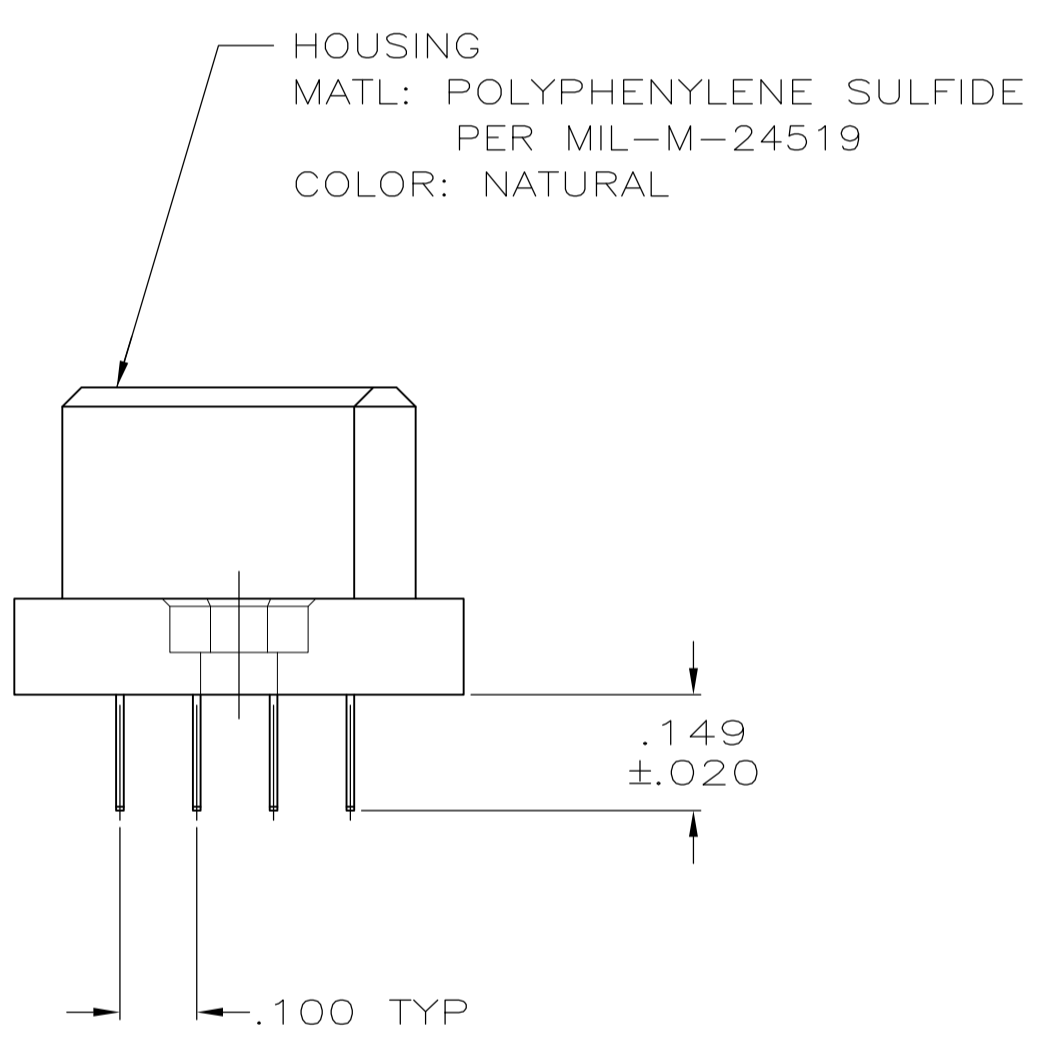
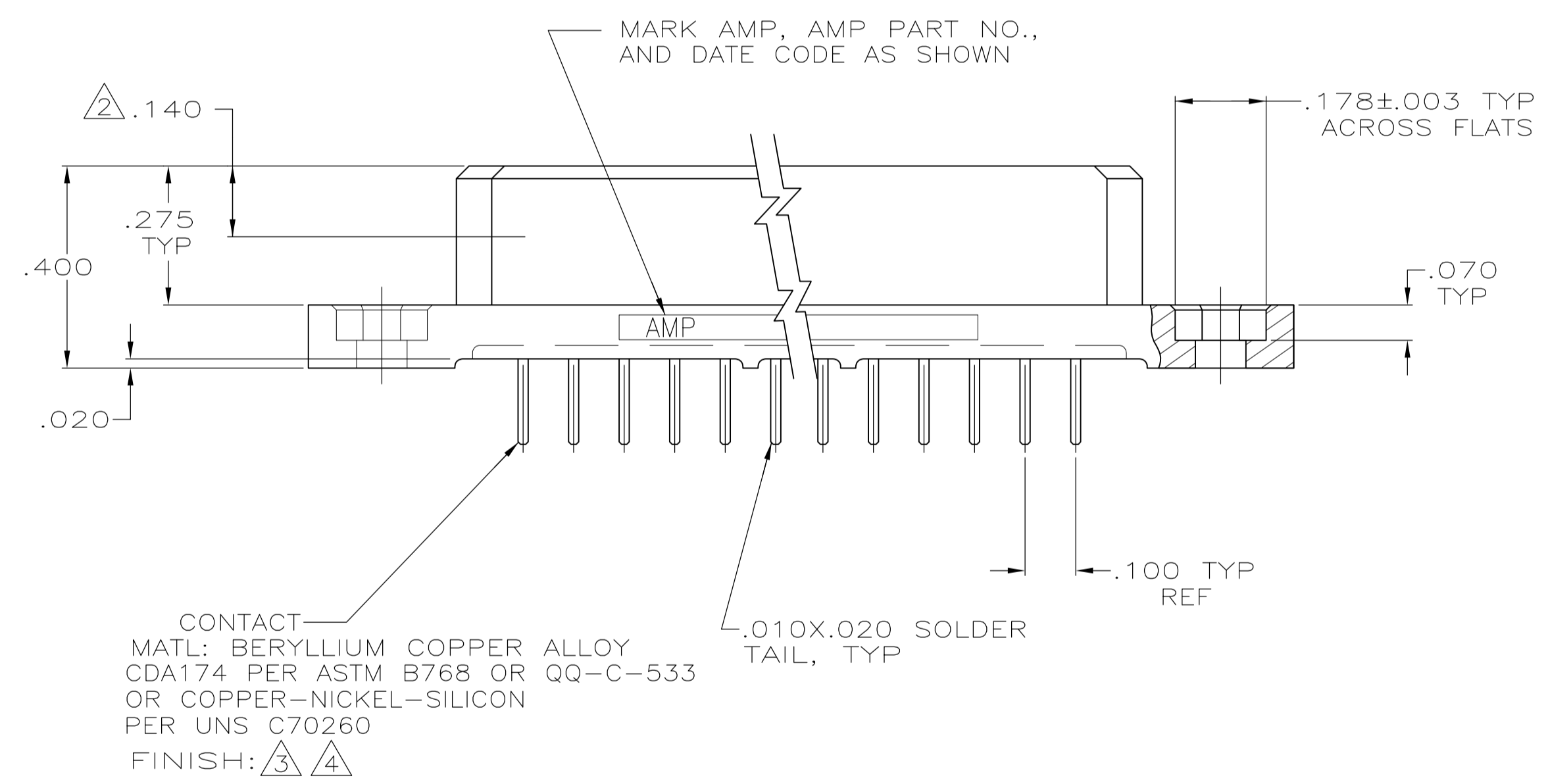


LOC		DIST		REVISIONS			
P	LTR	DESCRIPTION	DATE	DNW	APVD	CT	RL
G	REV PER ECO	10-012616	6-17-10	CT	RL		



RECOMMENDED P.C. BOARD LAYOUT



- ① KEY POSITION IDENTIFICATIONS MOLDED ON SURFACES SHOWN.
- ② MAX DEPTH OF CONTACT POINT.
- ③ FINISH: PLATED GOLD .000050 THK PER ASTM-B-488 IN CONTACT AREA WITH A POINT OF PLATING THICKNESS MEASUREMENT .135 FROM MATING END OF CONTACT; TAILS PLATED TIN-LEAD; ALL OVER NICKEL PER AMS QQ-N-290.
- ④ FINISH: PLATED GOLD .000050 THK PER ASTM-B-488 IN CONTACT AREA WITH A POINT OF PLATING THICKNESS MEASUREMENT .135 FROM MATING END OF CONTACT; TAILS PLATED TIN; ALL OVER NICKEL PER AMS QQ-N-290.

CONTACT
 MATL: BERYLLIUM COPPER ALLOY
 CDA174 PER ASTM B768 OR QQ-C-533
 OR COPPER-NICKEL-SILICON
 PER UNS C70260
 FINISH: ③ ④

.010X.020 SOLDER
 TAIL, TYP

④	3.100	31	3.224	3.650	3.950	128	6-446081-7
④	4.900	49	5.024	5.450	5.750	200	6-446081-0
③	1.900	19	2.024	2.450	2.750	80	2-446081-2
③ OBSOLETE	.900	9	1.024	1.450	1.750	40	2-446081-1
③ OBSOLETE	1.600	16	1.724	2.150	2.450	68	2-446081-0
③	2.400	24	2.524	2.950	3.250	100	1-446081-9
③	2.900	29	3.024	3.450	3.750	120	1-446081-8
③	3.100	31	3.224	3.650	3.950	128	1-446081-7
③ OBSOLETE	3.400	34	3.524	3.950	4.250	140	1-446081-6
③ OBSOLETE	3.700	37	3.824	4.250	4.550	152	1-446081-5
③ OBSOLETE	3.900	39	4.024	4.450	4.750	160	1-446081-4
③ OBSOLETE	4.100	41	4.224	4.650	4.950	168	1-446081-3
③ OBSOLETE	4.400	44	4.524	4.950	5.250	180	1-446081-2
③ OBSOLETE	4.700	47	4.824	5.250	5.550	192	1-446081-1
③ OBSOLETE	4.900	49	5.024	5.450	5.750	200	1-446081-0
③ OBSOLETE	5.300	53	5.424	5.850	6.150	216	446081-9
③	5.400	54	5.524	5.950	6.250	220	446081-8
③ OBSOLETE	5.700	57	5.824	6.250	6.550	232	446081-7
③ OBSOLETE	5.900	59	6.024	6.450	6.750	240	446081-6
③ OBSOLETE	6.400	64	6.524	6.950	7.250	260	446081-5
③ OBSOLETE	6.600	66	6.724	7.150	7.450	268	446081-4
③ OBSOLETE	6.900	69	7.024	7.450	7.750	280	446081-3
③ OBSOLETE	7.200	72	7.324	7.750	8.050	292	446081-2
③ OBSOLETE	7.400	74	7.524	7.950	8.250	300	446081-1

THIS DRAWING IS A CONTROLLED DOCUMENT.

DIMENSIONS: INCHES	TOLERANCES UNLESS OTHERWISE SPECIFIED:	0 PLC ± -	1 PLC ± .01	2 PLC ± .01	3 PLC ± .005	4 PLC ± -	ANGLES ± -
--------------------	--	-----------	-------------	-------------	--------------	-----------	------------

MATERIAL: SEE CALLOUT
 FINISH: SEE CALLOUT
 WEIGHT: -
 CUSTOMER DRAWING

DIN: T. THOMPSON 04-03-95
 CHK: D. MILLER 04-03-95
 APVD: D. MILLER 04-03-95
 NAME: RECEPTACLE ASSEMBLY, FOUR ROW BOX, LOW FORCE CONTACTS.

TYCO ELECTRONICS
 Tyco Electronics Corporation
 Harrisburg, Pa 17105-3608

SIZE: A1
 CAGE CODE: 00779
 DRAWING NO: 446081
 SCALE: 4:1
 SHEET: 1 OF 1
 REV: G

单击下面可查看定价，库存，交付和生命周期等信息

[>>TE Connectivity\(泰科\)](#)