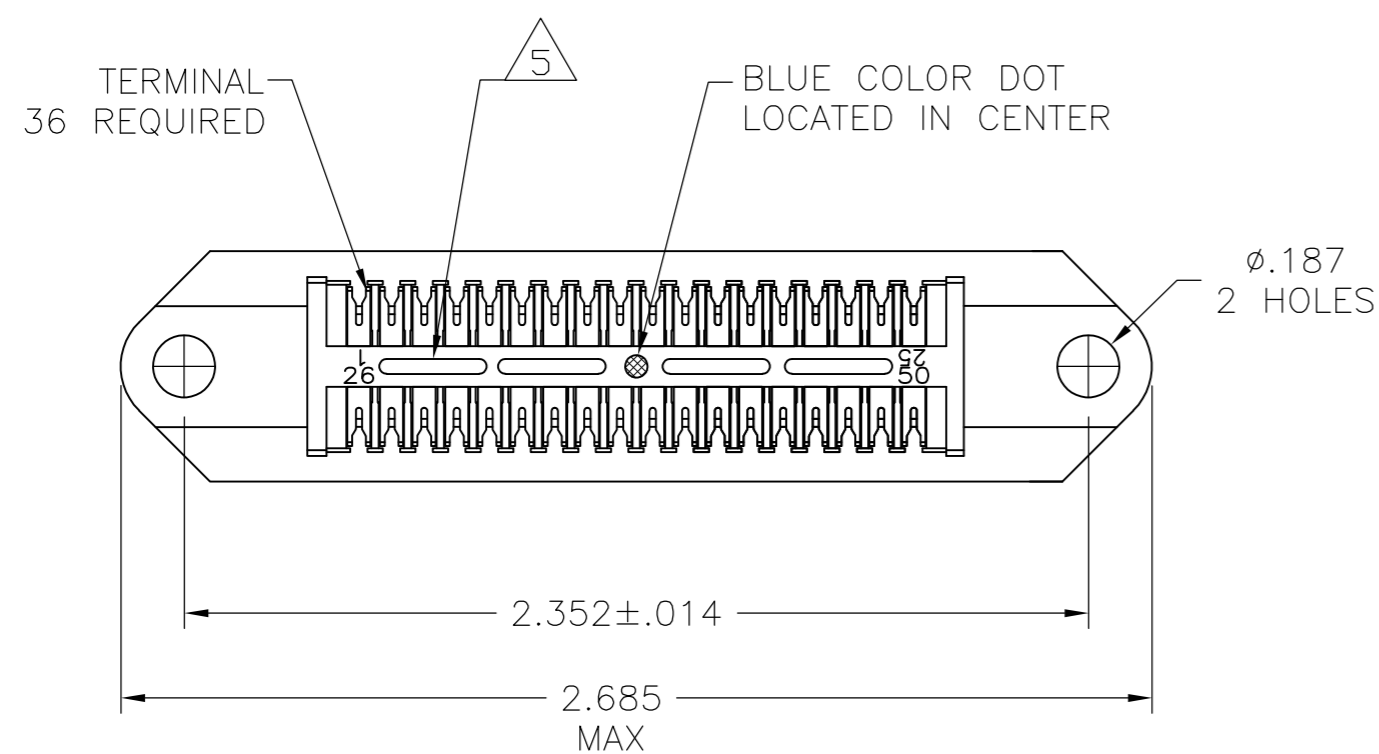


THIS DRAWING IS UNPUBLISHED. RELEASED FOR PUBLICATION
 © COPYRIGHT BY TYCO ELECTRONICS CORPORATION. ALL RIGHTS RESERVED.

| LOC | DIST | REVISIONS | | | |
|-----|------|-------------|---------------------------|---------|-------|
| P | LTR | DESCRIPTION | DATE | DWN | APVD |
| GP | 00 | L | REVISED PER ECO-08-007327 | 13OCT08 | BM WM |

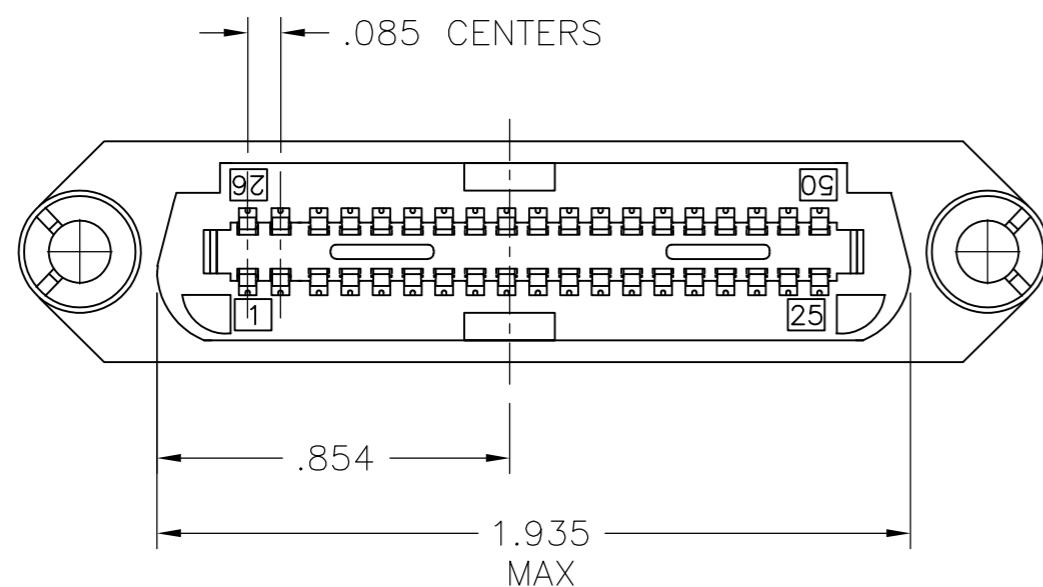
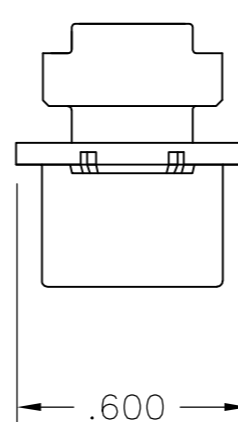
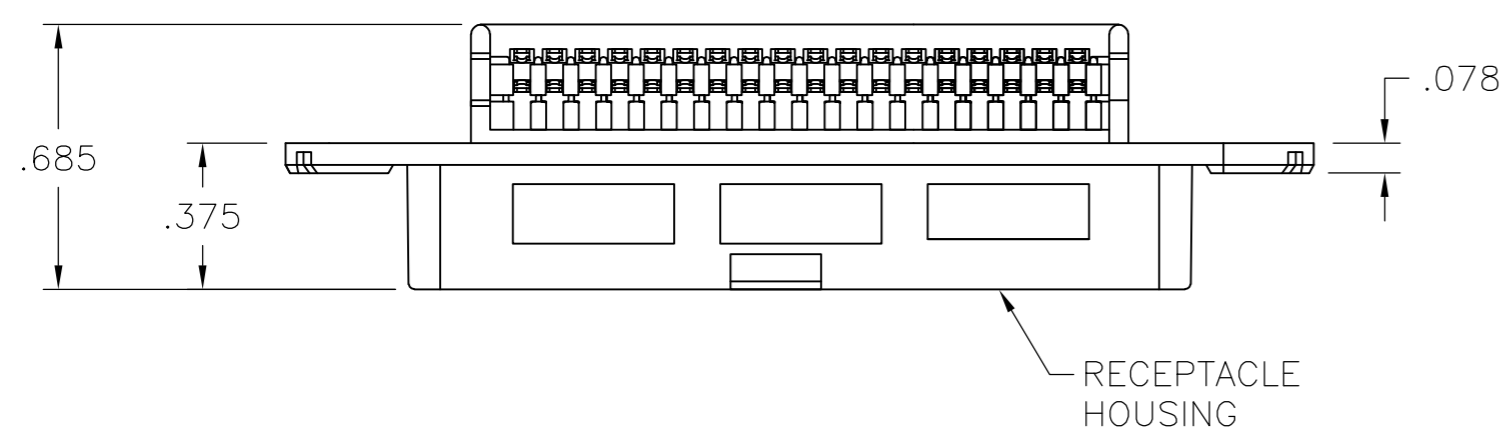


1. THE CONTACT SURFACES OF THE TERMINALS ARE COATED WITH LUBRICANT.
2. ALL DIMENSIONS SHOWN ARE FOR REFERENCE ONLY UNLESS OTHERWISE SPECIFIED.

3 MATERIAL:
 HOUSING - THERMOPLASTIC (BLACK)
 TERMINALS: - HIGH STRENGTH COPPER ALLOY PLATED WITH .000030 MIN GOLD OR GOLD FLASH OVER PALLADIUM NICKEL PLATE, .000030 MIN TOTAL ON MATING SURFACE. .000050 MIN NICKEL UNDERPLATE OVER ENTIRE TERMINAL.

4. WIRE SIZE: 24 & 26 AWG SOLID & 24 AWG 7 STRANDS OF COPPER CONDUCTORS. MAX INSULATION DIAMETER OF .045 IS ACCEPTABLE FOR MOST APPLICATIONS.

5 CORING MAY OR MAY NOT APPEAR AND IS AT THE DISCRETION OF TYCO ELECTRONICS.



2-552275-1
PART NUMBER

| | | | | | | |
|-----------------------------------------------------------------------------|--------|----------------------|------------------------------------------------------------|-----------------------------------------------------------|------------|---------------|
| THIS DRAWING IS A CONTROLLED DOCUMENT. | | DWN B. MCMASTER | 05OCT05 | Tyco Electronics Corporation Harrisburg, PA 17105-3608 | | |
| DIMENSIONS: INCHES | | CHK W. MILLHIMES | 05OCT05 | | | |
| TOLERANCES UNLESS OTHERWISE SPECIFIED: | | APVD W. MILLHIMES | 05OCT05 | | | |
| 0 PLC ± - 1 PLC ± - 2 PLC ± - 3 PLC ± - 4 PLC ± - ANGLES ± - | | NAME | ASSY, RCTP, 36 POSN, B SLOT CHAMP-LOKW/ .187 DIA. HOLES | | | |
| MATERIAL | FINISH | WEIGHT | SIZE | CAGE CODE | DRAWING NO | RESTRICTED TO |
| 3 | 3 | - | A2 | 00779 | C-552275 | - |
| CUSTOMER DRAWING | | | SCALE | SHEET | REV | |
| | | | NTS | 1 of 1 | L | |

单击下面可查看定价，库存，交付和生命周期等信息

[>>TE Connectivity\(泰科\)](#)