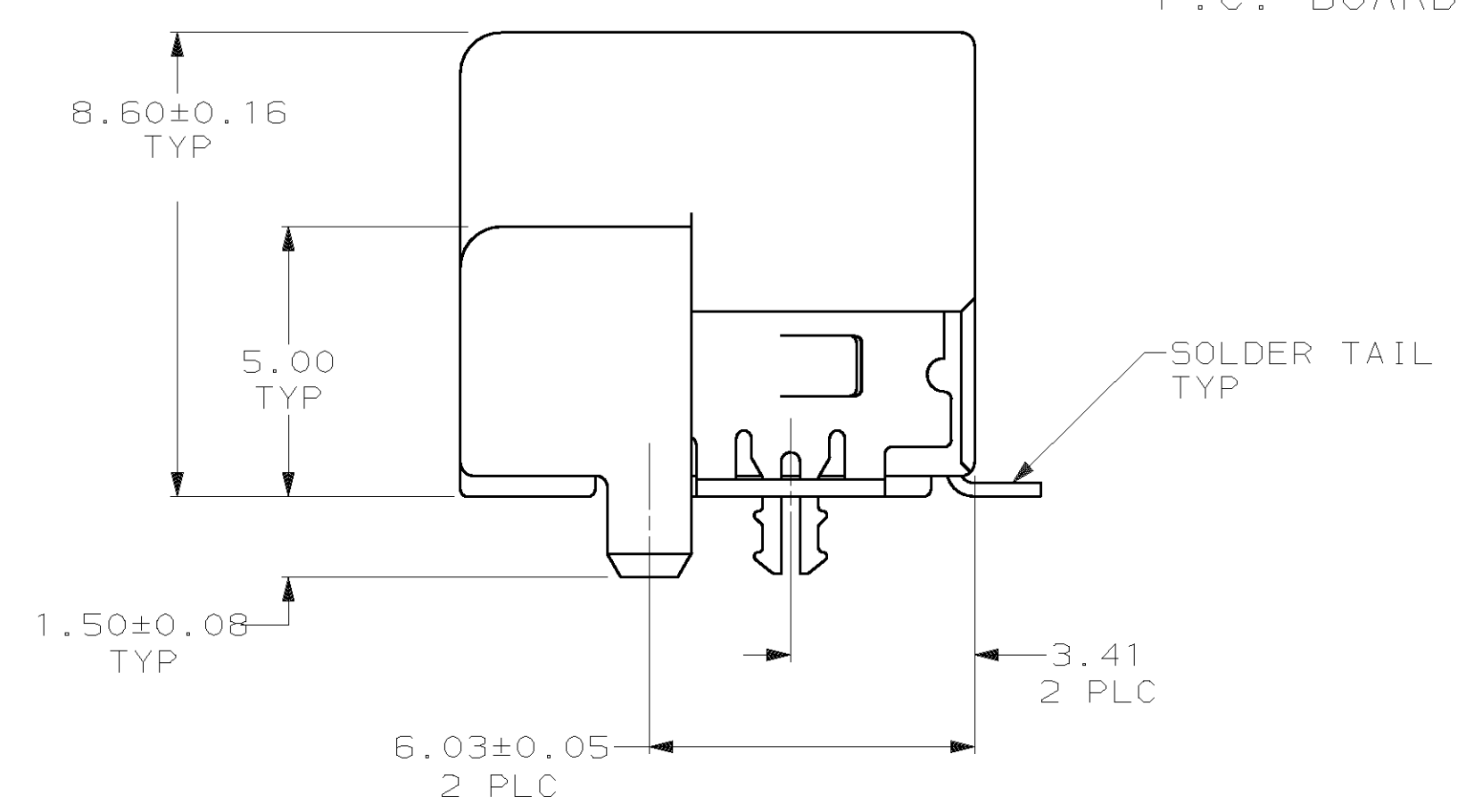
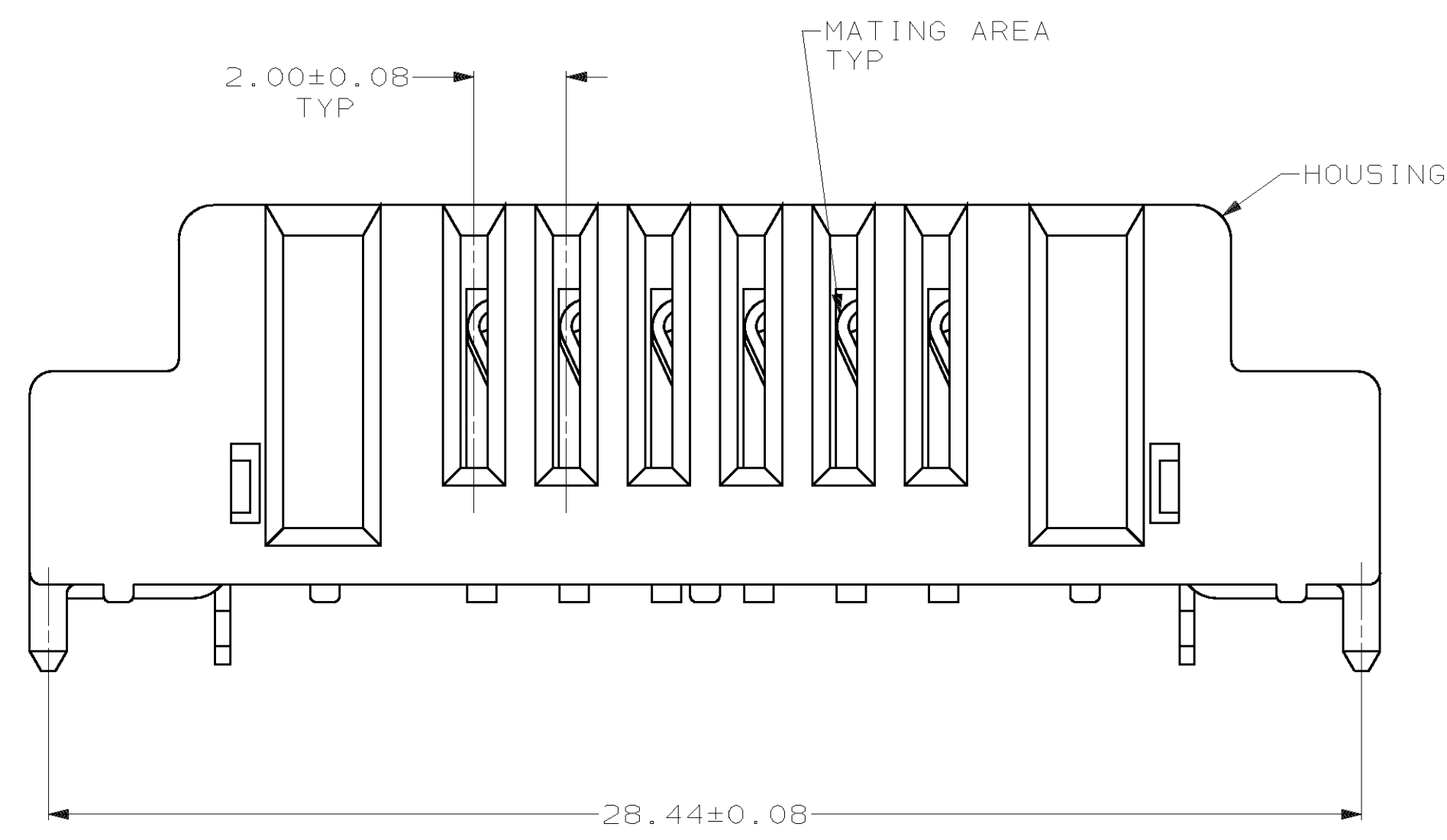
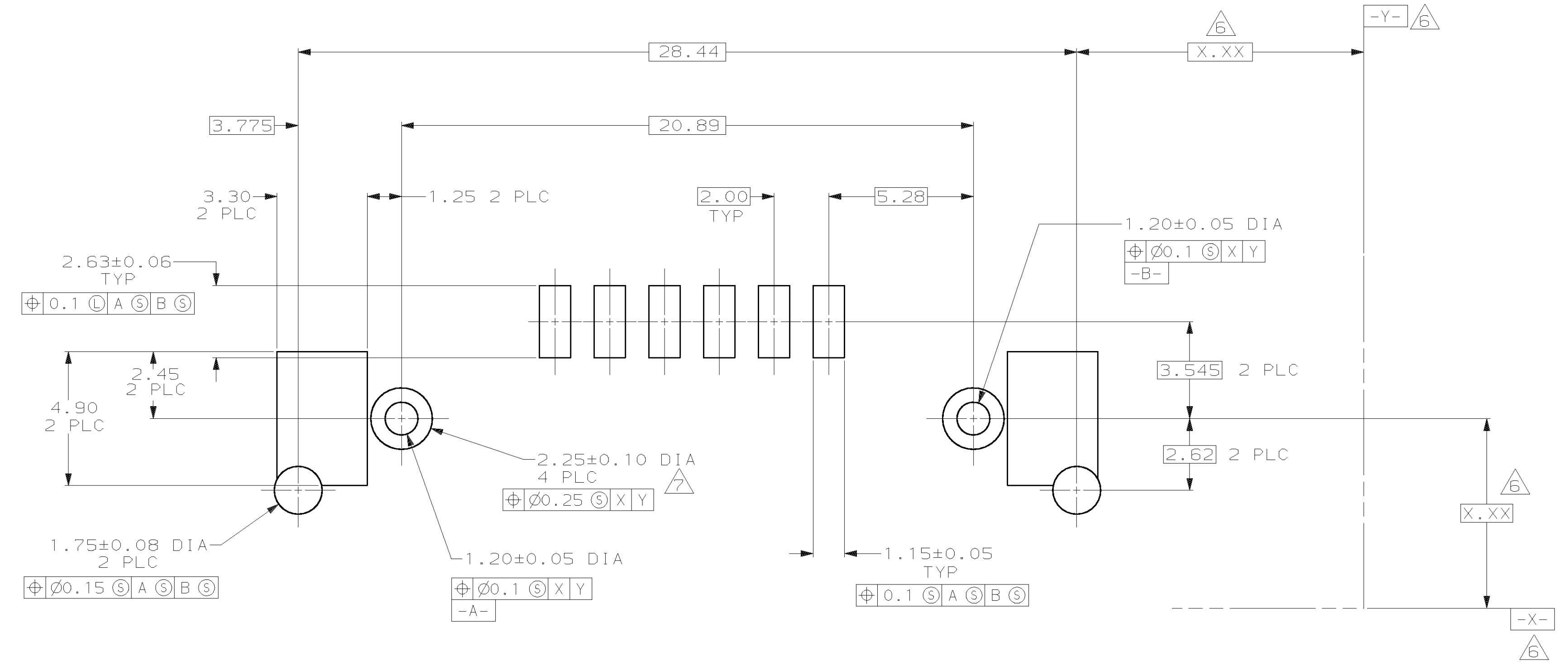
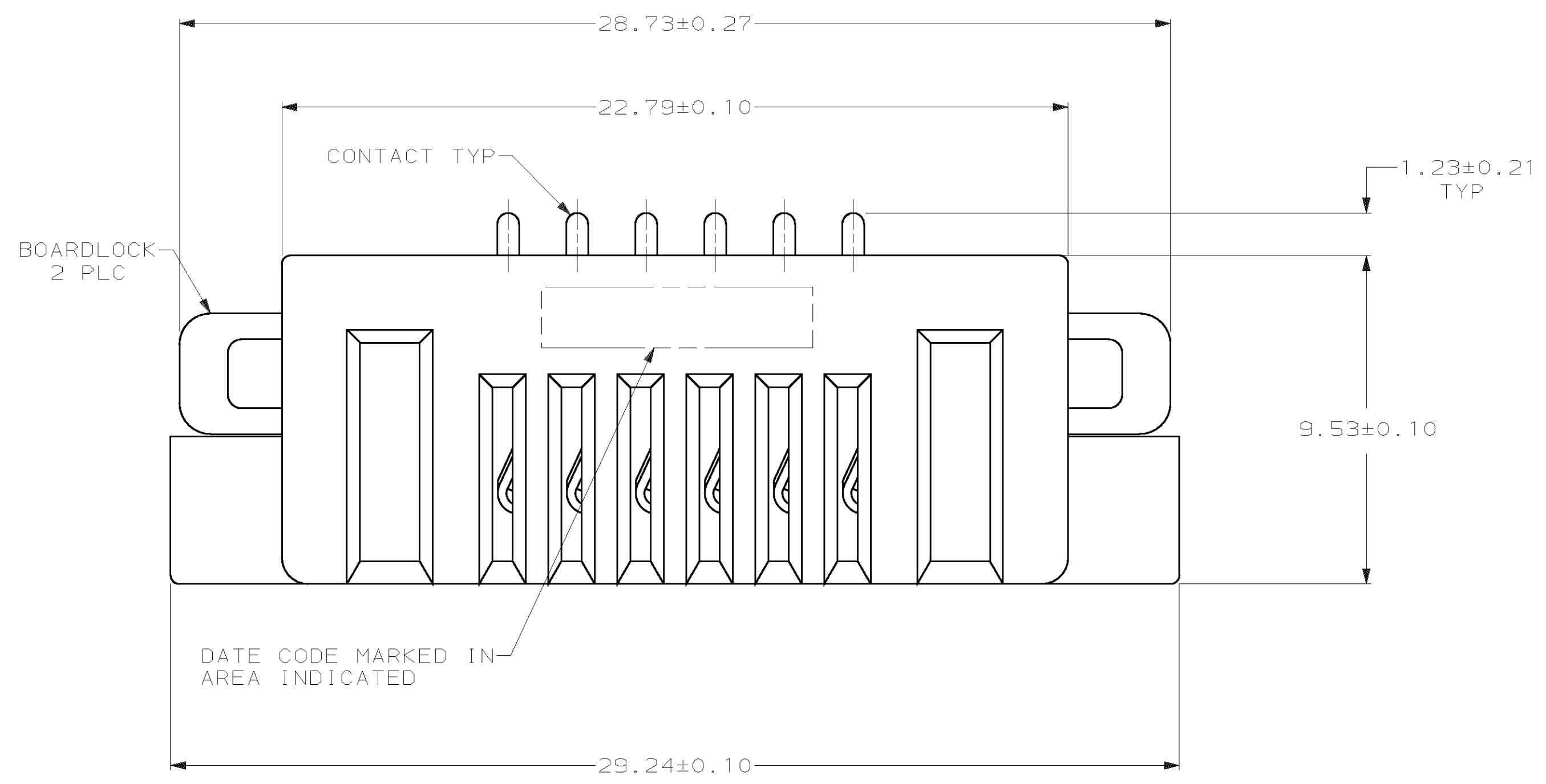


REV	DESCRIPTION	DATE	APPD
D	REACTIVATED PER EC 061C-34-98	01 APR 98	DW
E	REV PER EC 061C-0036-99	29 MAR 99	KD
F	REV PER EC 061C-0056-99	30 MAR 99	KD



- ① LCP, UL 94V-0 RATED, BLACK.
- ② PHOSPHOR BRONZE.
- ③ BRASS.
- ④ .076µm MINIMUM GOLD OVER 0.76µm MINIMUM PALLADIUM NICKEL ON MATING AREA, 3.80µm MINIMUM TIN-LEAD ON SOLDER TAIL, ALL OVER 1.27 µm MINIMUM NICKEL.
- ⑤ 3.05µm MIN TIN-LEAD OVER 1.27µm MIN NICKEL.
- ⑥ DATUMS AND BASIC DIMENSIONS ESTABLISHED BY CUSTOMER.
- ⑦ SOLDER PADS REQUIRED ON TOP AND BOTTOM OF PC BOARD.

DO NOT SCALE PRINT. UNLESS SPECIFIED DIMENSIONS IN mm TOLERANCES ON: 2 PLC DEC ± 0.13 3 PLC DEC ± - ANGLES ± -		DR 02/10/94 W.G.LENKER CHK 02/22/94 R.STONE APPD 02/22/94 A.TRAVIS APPD 02/22/94 A.TRAVIS		787090-1 PART NO	
MATERIAL HOUSING = ① CONTACTS = ② BOARDLOCKS = ③		PRODUCT SPEC 108-1503		AMP Incorporated Harrisburg, PA 17105-3608	
FINISH CONTACTS = ④ BOARDLOCKS = ⑤		APPLICATION SPEC 114-40045		NAME RECEPTACLE ASSEMBLY, SURFACE MOUNT, 6 POS, MDI	
WEIGHT -		SCALE 8:1		DRAWING NO C-787090 SHEET 1 OF 1	

THIS DRAWING IS A CONTROLLED DOCUMENT FOR AMP INCORPORATED. IT IS SUBJECT TO CHANGE AND THE CONTROLLING ENGINEERING ORGANIZATION SHOULD BE CONTACTED FOR THE LATEST REVISION.

单击下面可查看定价，库存，交付和生命周期等信息

[>>TE Connectivity\(泰科\)](#)