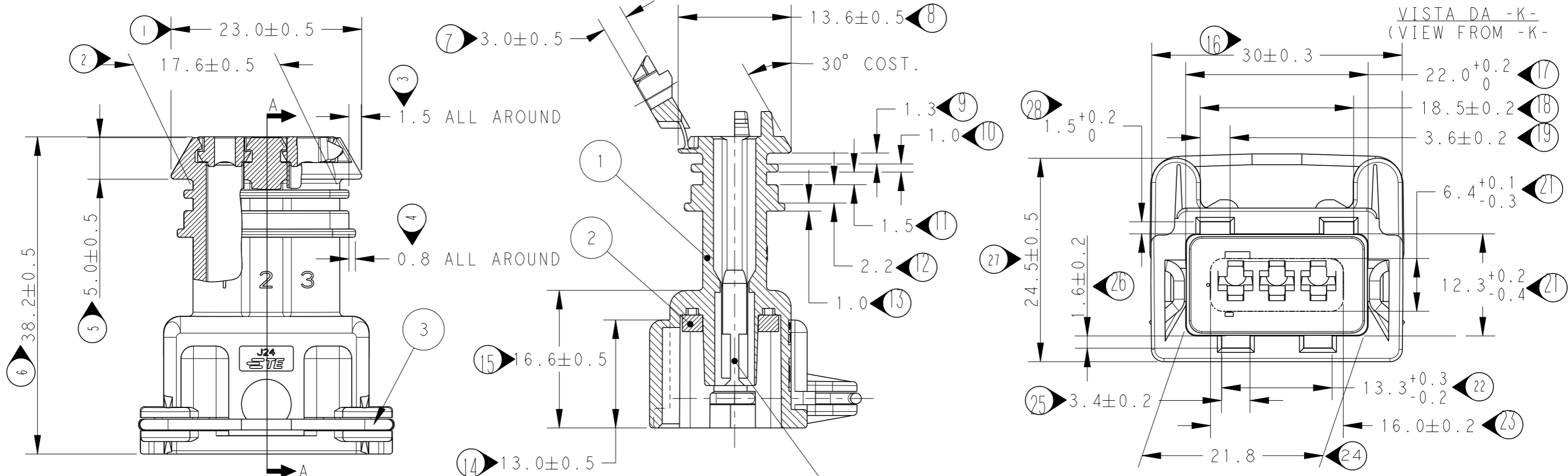


CONNETTORE TIPO A (CON MOLLA DI RITEGNO ESTERNA)  
CONNECTOR TYPE A (WITH EXTERNAL SPRING)

SECTION A-A

P	LTR	DESCRIPTION	DATE	DWN	APVD
N2		REVISED PER ECO-17-008827	29 JUN 2017	AP	MP



29) PASSO 5.0±0.15 TIP  
(PITCH 5.0±0.15 TYP)

ASSE CONNETTORE  
(CONNECTOR CENTER LINE)

ASSE CAVITA'  
(CAVITY CENTER LINE)

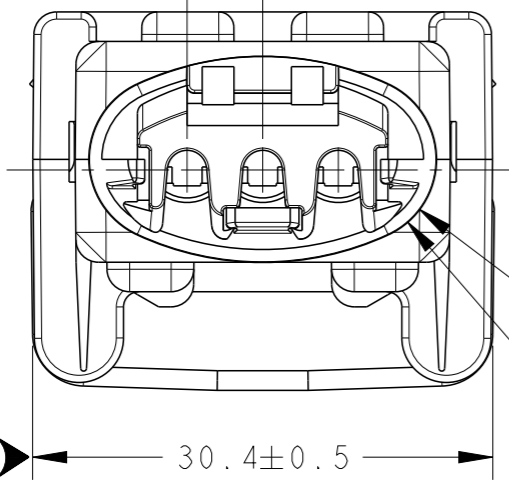
TIP. CAVITA' PER TERMINALI AMP JPT P/N 929939-...  
 OPPURE 929937-... E RELATIVI GOMMINI  
 AMP P/N 828904-1, 828905-1, 282536-1.  
 TAPPO CAVITA' P/N 828906-2  
 (TYP. CAV FOR JPT CONT. P/N 929939-...  
 A/O 929937-... AND REL. SINGLE WIRE SEAL  
 P/N 828904-1, 828905-1, 282536-1  
 CAVITY PLUG P/N 828906-2)

DIAM (ISOLANTE) (INS. DIA. RANGE)	RANGE FILO (WIRE RANGE)
1.5-3.0 (RED. INS. CABLE)	0.5-2.5 mm <sup>2</sup>

NERO (BLACK)	NUMERO PART. NO	ASSY REV.
282545-1	N1	

REV.	REVISION (REVISION RECORD)	DIS. (DR.)	E.C.N.	DATE (DATE)	NO. (ITEM)	FINITURA/COLORE (FINISH/COLOUR)	MATERIALE (MATERIAL)	DESCRIZIONE (DESCRIPTION)
N1	REVISED PER ECO-16-003585	M.P.		15MAR16				
N	ECR-14-003472	M.P.		24MAR14				
M	REVISED	M.P.	ET00-0385-99	12-4-01	3	\\\\\\\\\\\\\\\\	ACCIAIO INOX (STAINLESS STEEL)	MOLLA (SPRING)
L	REVISED	A.F.	ET00-0221-96	27-5-96	2	NATURALE (NATURAL)	GOMMA (RUBER)	GUARNIZIONE (RUBBER GASKET)
A	IN PRODUCTION	R.M.	ET00-0011-94	11-2-94	1	\\\\\\\\\\\\\\\\	PA 6.6	BLOCCHETTO (HOUSING)
1	P/N WAS 93-51118-1	R.M.	-	31-8-93				
O	FIRST ISSUE	R.M.	-	-				

CUSTOMER DWG. FOR REFERENCE ONLY		DISEGNO PER CLIENTE SOLO PER RIFERIMENTO	
3	\\\\\\\\\\\\\\\\	ACCIAIO INOX (STAINLESS STEEL)	MOLLA (SPRING)
2	NATURALE (NATURAL)	GOMMA (RUBER)	GUARNIZIONE (RUBBER GASKET)
1	\\\\\\\\\\\\\\\\	PA 6.6	BLOCCHETTO (HOUSING)



THIS DRAWING IS A CONTROLLED DOCUMENT.

DIMENSIONS:	TOLERANCES UNLESS OTHERWISE SPECIFIED:
mm	0 PLC ±-
	1 PLC ±0.3
	2 PLC ±-
	3 PLC ±-
	4 PLC ±-
	ANGLES ±2°
MATERIAL	FINISH

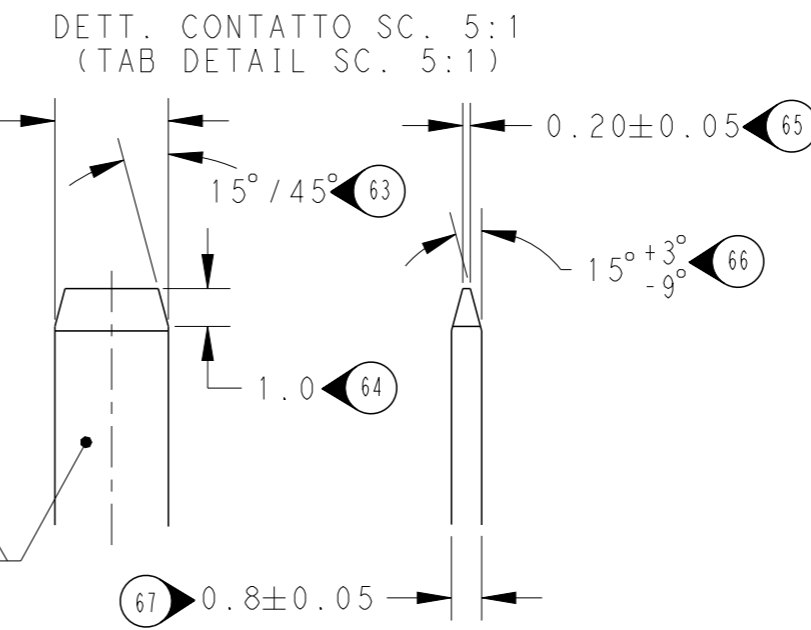
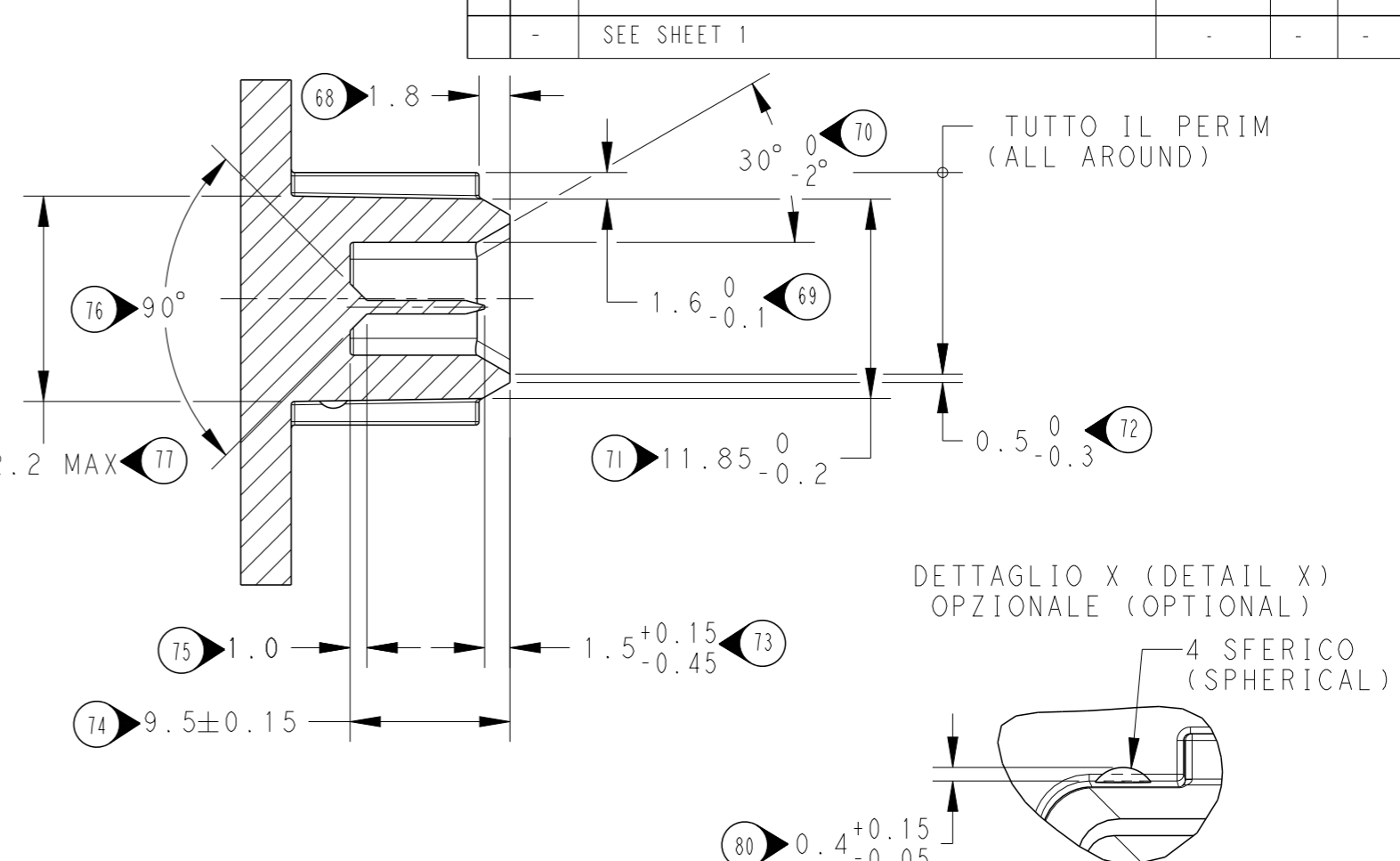
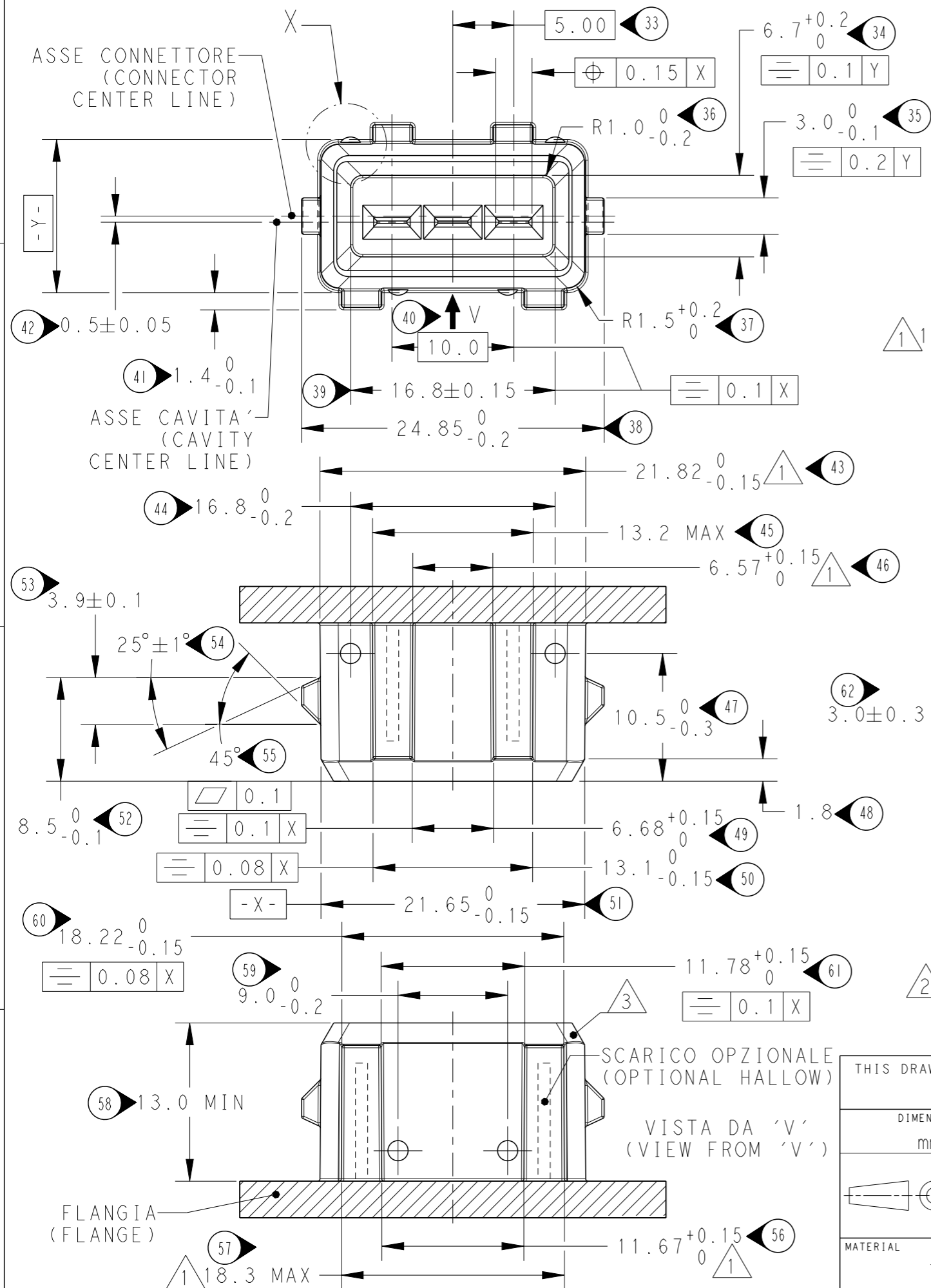
DWN	R MARTINI	8 JUL 93
CHK	C. TARTARI	9 JUL 93
APVD	-	-
PRODUCT SPEC	-	-
APPLICATION SPEC	-	-
WEIGHT	-	-

**STE** TE Connectivity

NAME: 3 W. SPLASH PROOF CONN. ASS'Y WITH SPECIAL POLARIZATION

SIZE	CAGE CODE	DRAWING NO	RESTRICTED TO
A3	-	C=282545	-

P	LTR	DESCRIPTION	DATE	DWN	APVD
-	-	SEE SHEET 1	-	-	-



- 1 QUOTE APPLICABILI PER SFOMATURA PEZZO (RIGHT DIMENSIONS FOR EXTRACTION ITEM FROM THE MOULD)
- 2 MATERIALE CONTATTI, LEGA DI RAME STAGNATA, ES. OTTONE STAGNATO. (TAB MATERIAL: TINNED Cu ALLOY, E.G. TINNED BRASS)
- 3 MATERIALE BLOCCETTO: TERMOPLASTICO CARICATO FIBRA VETRO. (HOUSING MATERIAL: THERMOPLASTIC, GLASS FIBER FILLED)

THIS DRAWING IS A CONTROLLED DOCUMENT.		DWN 8 JUL 93 R MARTINI	TE Connectivity	
		CHK 9 JUL 93 C. TARTARI		
DIMENSIONS: mm	TOLERANCES UNLESS OTHERWISE SPECIFIED:	APVD -	NAME	3 W. SPLASH PROOF CONN. ASS'Y WITH SPECIAL POLARIZATION
	0 PLC ±-	PRODUCT SPEC -	SIZE	
	1 PLC ±0.3	APPLICATION SPEC -	CAGE CODE	DRAWING NO
	2 PLC ±-	WEIGHT -	RESTRICTED TO	
	3 PLC ±-	CUSTOMER DRAWING	SCALE	SHEET
	4 PLC ±-		2:1	2 OF 2
	ANGLES ±2°			REV N2
MATERIAL	FINISH			

单击下面可查看定价，库存，交付和生命周期等信息

[>>TE Connectivity\(泰科\)](#)