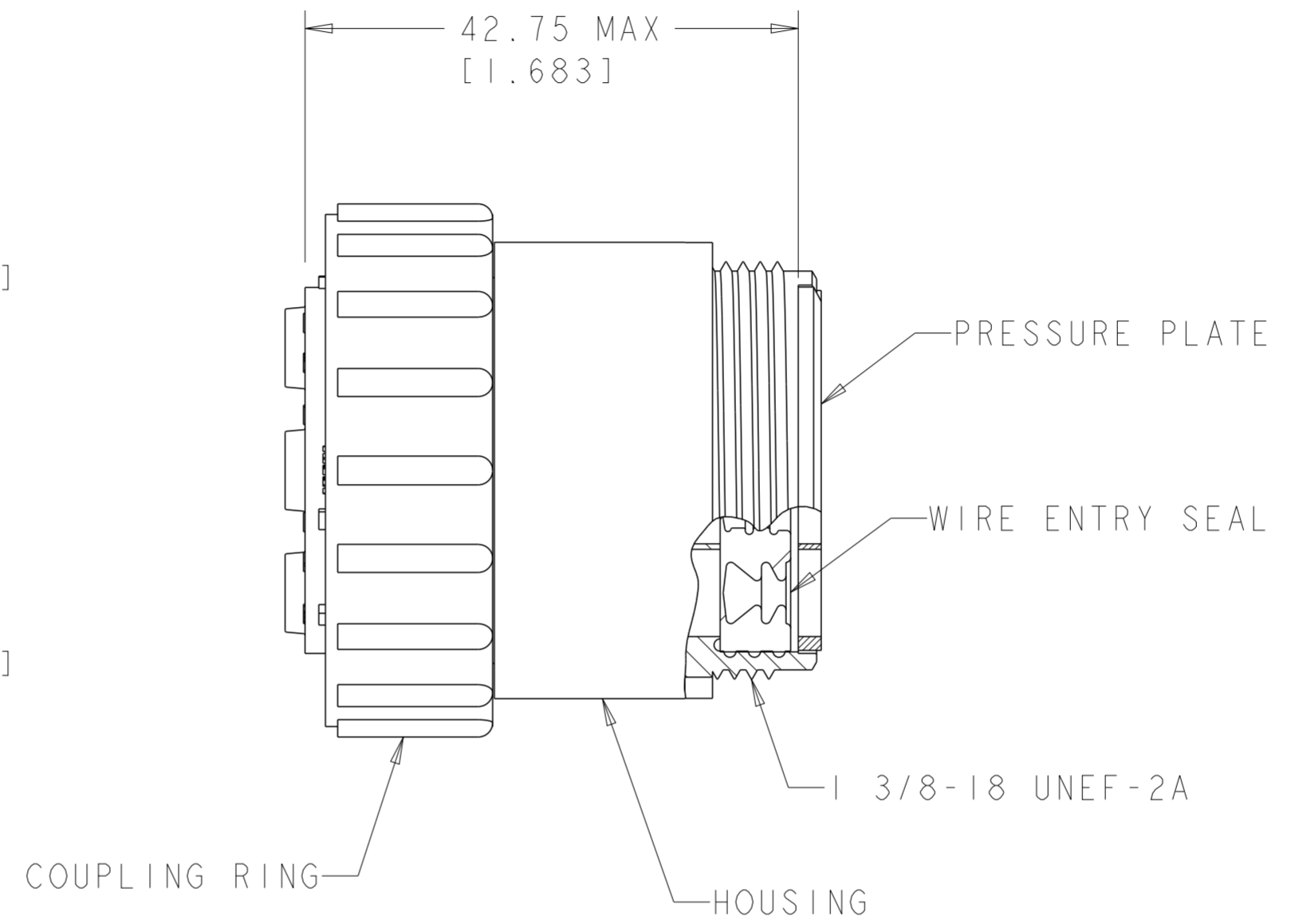
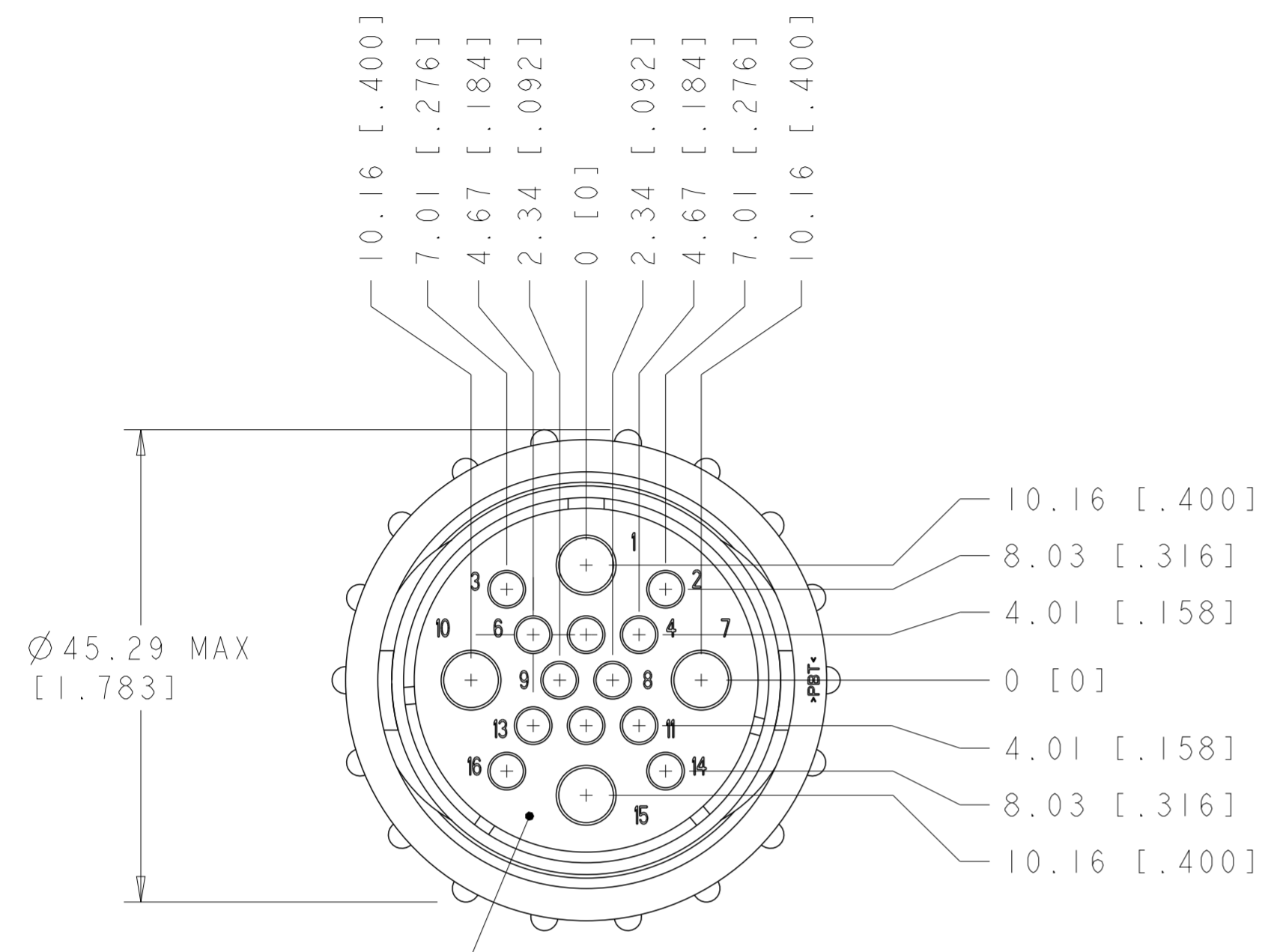
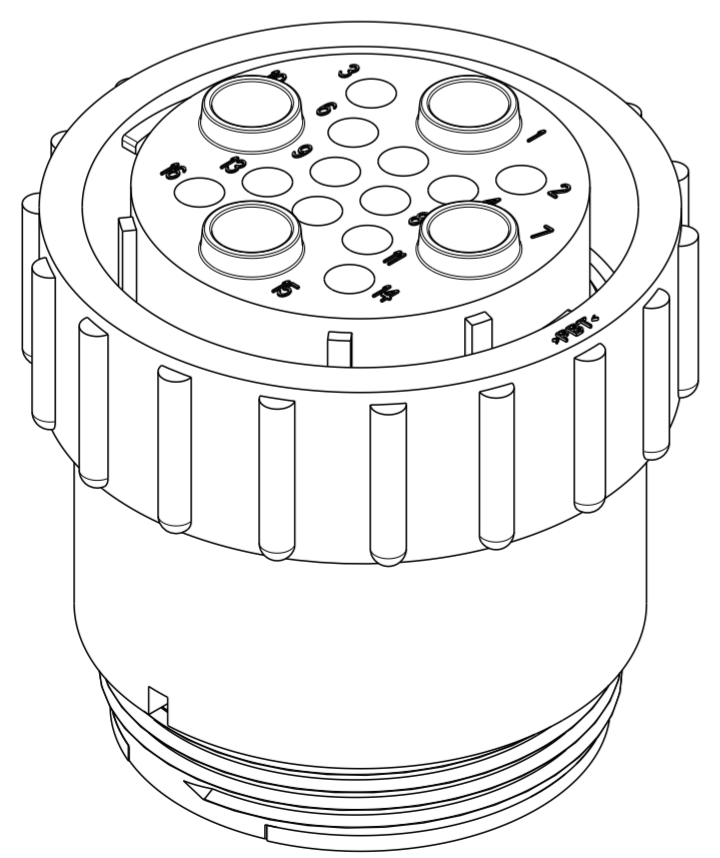


THIS DRAWING IS UNPUBLISHED. RELEASED FOR PUBLICATION  
 © COPYRIGHT 20 BY - ALL RIGHTS RESERVED.

LOC		DIST		REVISIONS			
P	LTR	DESCRIPTION	DATE	DWN	APVD		
	A	NEW DRAWING PER ECO-12-018480	15NOV2012	KH	MZ		



MATING FACE



- 1. HOUSING & PRESSURE PLATE: NYLON, BLACK.  
 WIRE ENTRY SEAL: ELASTOMER, RED-IRON OXIDE.  
 COUPLING RING: POLYESTER, BLACK.
- 2. CONNECTOR WILL ACCEPT (12) MULTIMATE SOCKET AND (4) POWER SOCKET CONTACTS.

STD	1977892-1
WIRE ENTRY SEAL	PART NUMBER

THIS DRAWING IS A CONTROLLED DOCUMENT.		DWN	KIRAN HOLAJI	15NOV2012	TE Connectivity NAME CPC PLUG ASSEMBLY, SERIES 6 SEALED, 23-16 STANDARD SEX UV RESISTANT
DIMENSIONS: mm [INCHES]		CHK	M. ZITTO	15NOV2012	
TOLERANCES UNLESS OTHERWISE SPECIFIED:		APVD	M. ZITTO	15NOV2012	
0 PLC ± 1 PLC ± 2 PLC ±0.02 3 PLC ± 4 PLC ± ANGLES ± FINISH		PRODUCT SPEC	108-1579	APPLICATION SPEC	
MATERIAL	1	WEIGHT	-	SIZE	A200779
CUSTOMER DRAWING		SCALE	2:1	SHEET	1 OF 1
		RESTRICTED TO	-	REV	A

单击下面可查看定价，库存，交付和生命周期等信息

[>>TE Connectivity\(泰科\)](#)