

4

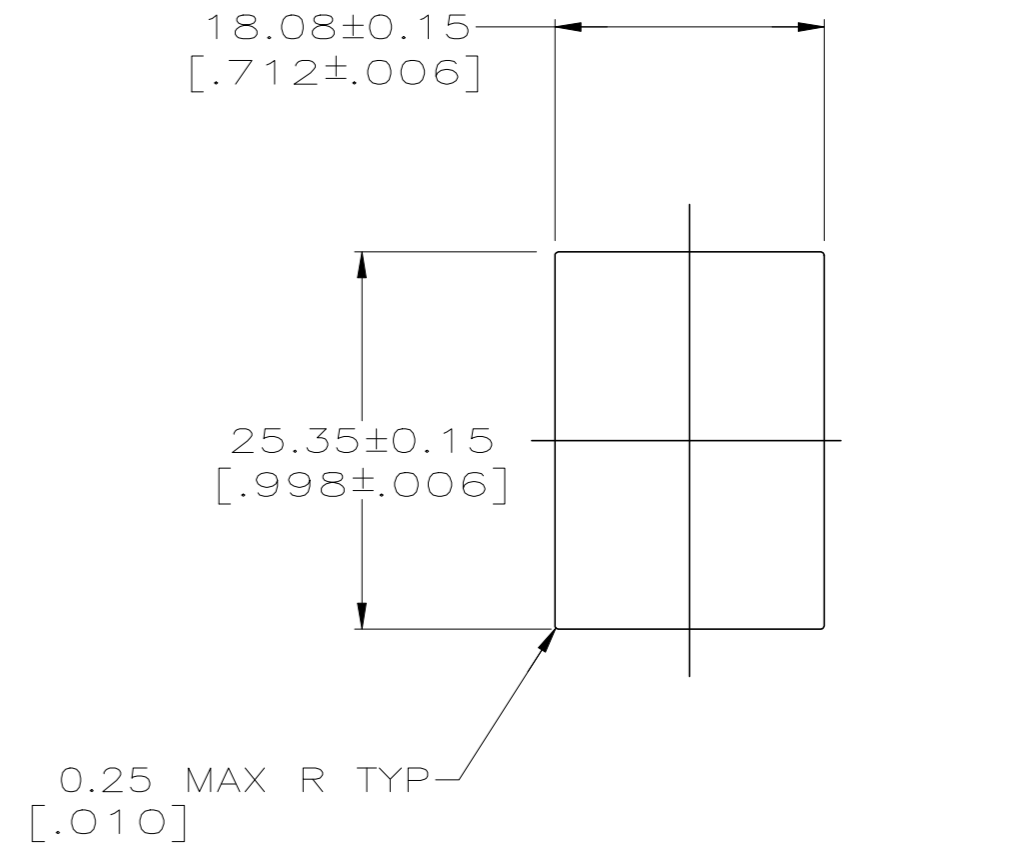
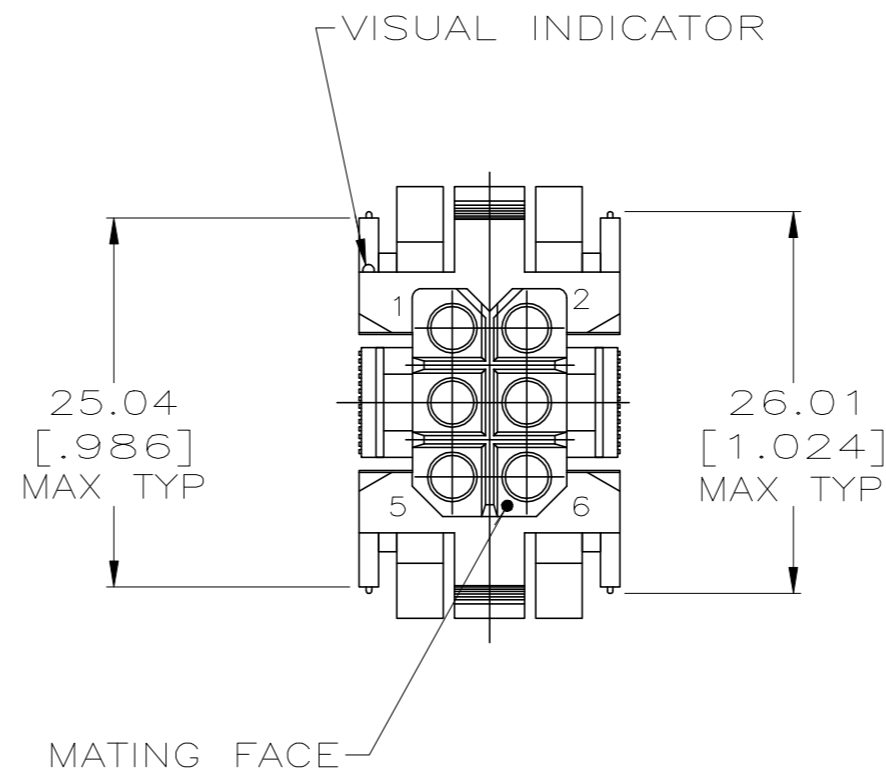
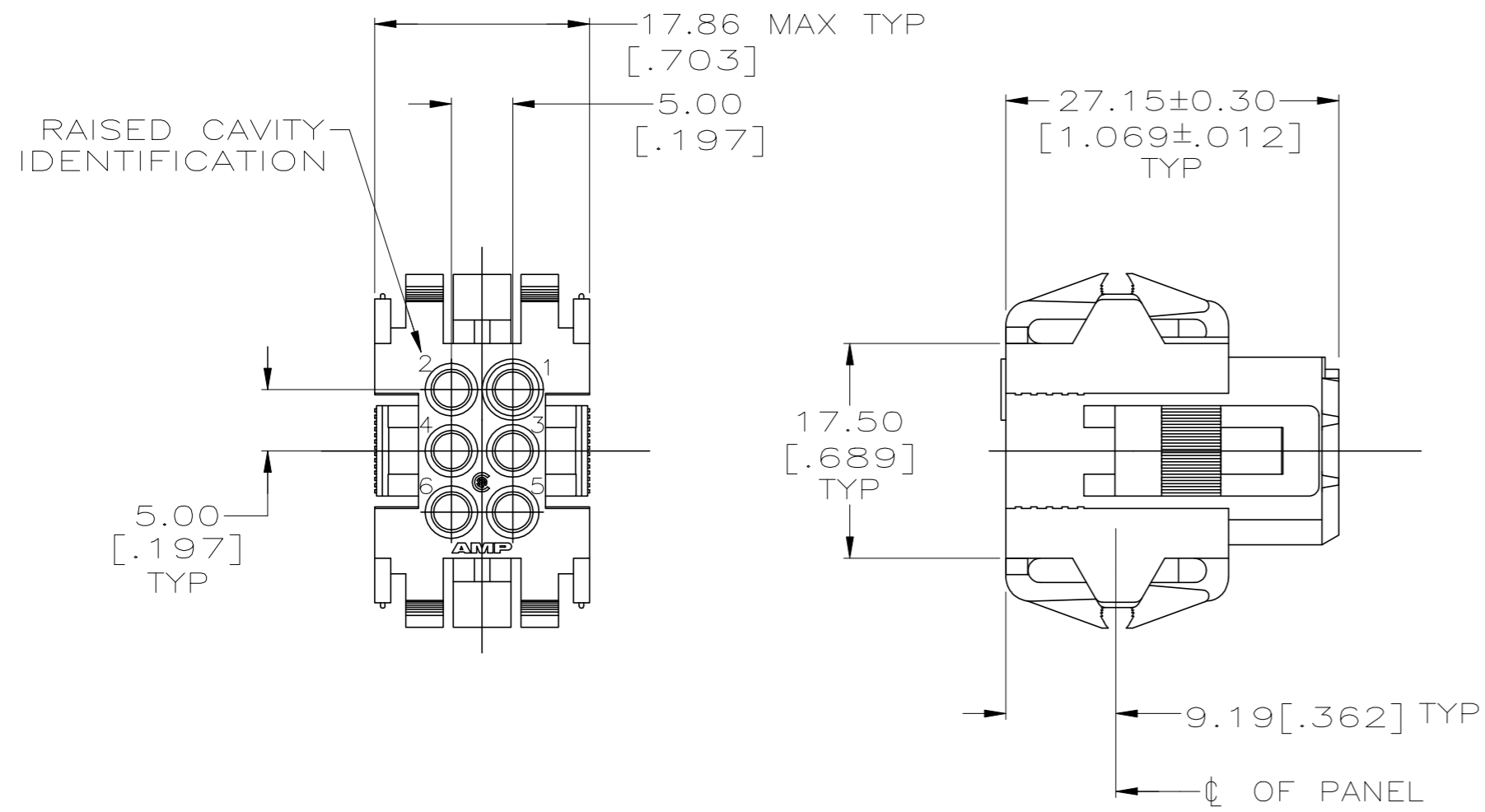
3

2

1

THIS DRAWING IS UNPUBLISHED. RELEASED FOR PUBLICATION  
© COPYRIGHT - TE Connectivity Ltd. ALL RIGHTS RESERVED.

REVISIONS					
P	LTR	DESCRIPTION	DATE	DWN	APVD
	U1	REVISED PER ECO-09-021826	11SEP2009	KK	AEG
	V	REVISED PER ECO-20-002227	19FEB2020	RK	MZ



- 1. PANEL RETENTION MECHANISM ACCOMMODATES PANEL THICKNESSES FROM 0.76[.030] TO 2.29[.090].
- 2 SAME AS 207152-1 EXCEPT: ROUNDED EDGES ON THE OUTSIDE OF THE HOUSING AND A 45° ANGLE ON THE OUTSIDE OF THE HOUSING BY THE LOCKING LATCHES, REF 927674.
- 3 OBSOLETE PARTS: OBSOLETE CIS STREAMLINING PER D.RENAUD/D.SINISI
- 4 HOUSING MATERIAL: PA66, BLACK, UL 94 V-0 RATED.

3	OBSOLETE	2	207152-2
			207152-1
PART NUMBER			

THIS DRAWING IS A CONTROLLED DOCUMENT.		DWN W.LENKER 08/26/92	TE Connectivity	
DIMENSIONS: mm [INCHES]		CHK R.STONE 8-31-92		
TOLERANCES UNLESS OTHERWISE SPECIFIED:		APVD A.TRAVIS 9-2-92	NAME	
0 PLC ± -		PRODUCT SPEC		
1 PLC ± -		108-10033		
2 PLC ± 0.25 [.010]		APPLICATION SPEC		
3 PLC ± -		-		
4 PLC ± -		-		
ANGLES ± -		-		
FINISH -		-		
MATERIAL	4	WEIGHT	A200779	DRAWING NO C=207152
CUSTOMER DRAWING		SCALE	2:1	SHEET 1 of 1
		RESTRICTED TO		REV V

单击下面可查看定价，库存，交付和生命周期等信息

[>>TE Connectivity\(泰科\)](#)