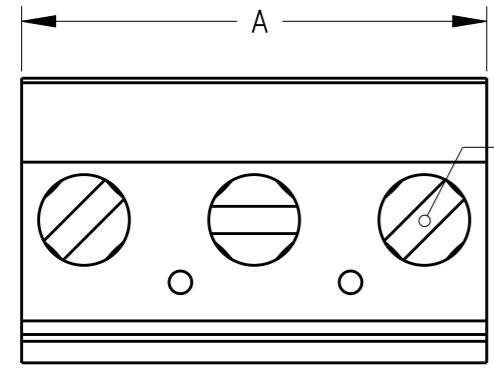


4 | 3 | 2 | 1

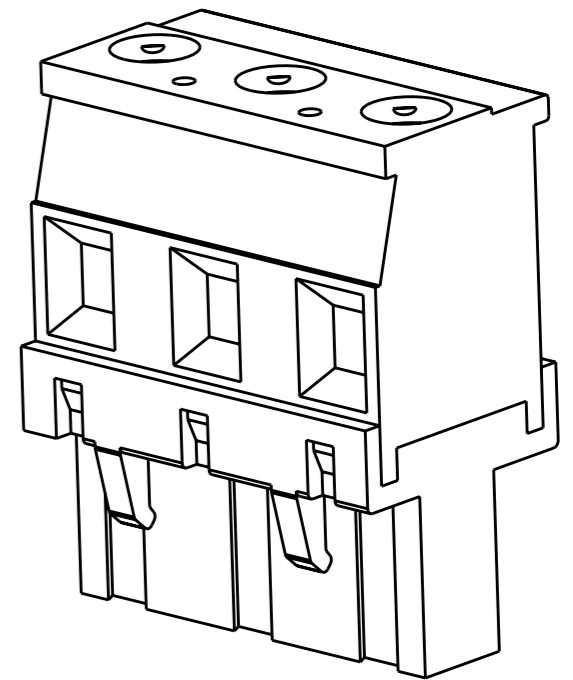
THIS DRAWING IS UNPUBLISHED. RELEASED FOR PUBLICATION  
 © COPYRIGHT 20 BY TYCO ELECTRONICS CORPORATION. ALL RIGHTS RESERVED.

LOC	DIST	REVISIONS			
P	LTR	DESCRIPTION	DATE	DWN	APVD
		B	REVISED PER OG3B-0119-01	04JAN2002	EZ DB
		CI	REVISED PER ECO-08-003244	06FEB2008	SS CR

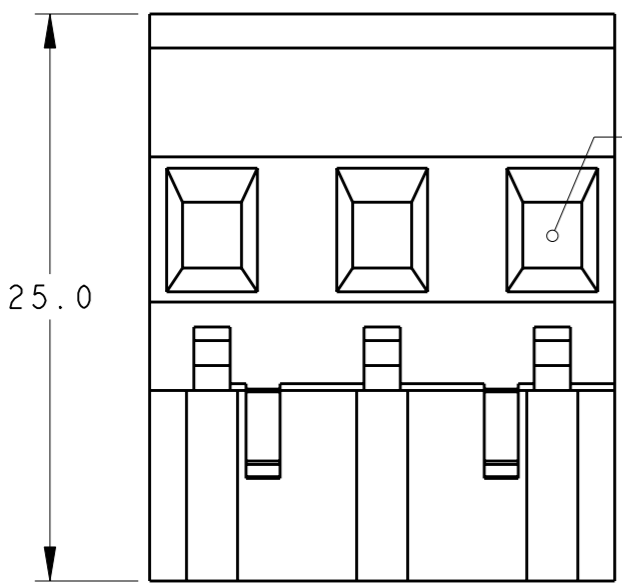


CLAMPING SCREW

- 1 MATERIALS AND FINISH  
 HOUSING: PA 6-6, UL 94-V0, COLOR GREEN.  
 CLAMP: BRASS, NICKEL PLATED.  
 DOUBLE SIDE CONTACT SPRING : PHOSPHOR BRONZE, TIN PLATED.  
 CLAMPING SCREW: M3, BRASS, NICKEL PLATED.
- 2 WIRE SIZE RANGE:  
 12 - 30 AWG
- 3 NOT CUMULATIVE TOLERANCE.

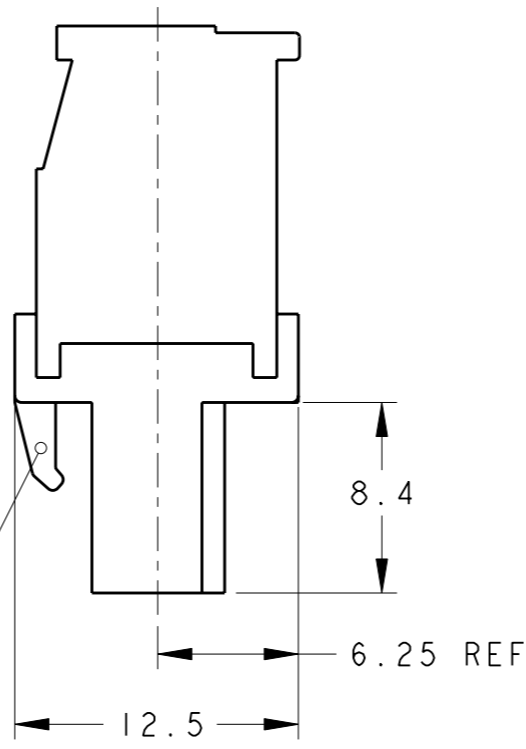


284049-3 AS SHOWN

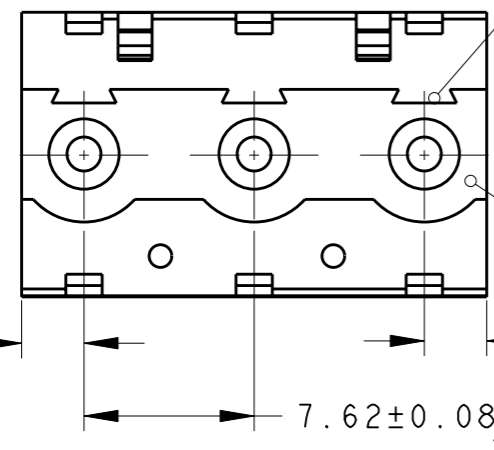


WIRE ENTRY

RETENTION LATCH



DIM. A	N° OF POS.	PART NUMBER
89.44	12	1-284049-2
81.82	11	1-284049-1
74.20	10	1-284049-0
66.58	9	284049-9
58.96	8	284049-8
51.34	7	284049-7
43.72	6	284049-6
36.10	5	284049-5
28.48	4	284049-4
20.86	3	284049-3
13.24	2	284049-2



POLARIZATION KEY SLOT

MATING FACE

2.81 REF

2.81 REF

7.62±0.08 3

<small>THIS DRAWING IS A CONTROLLED DOCUMENT FOR TYCO ELECTRONICS CORPORATION                  IT IS SUBJECT TO CHANGE AND THE CONTROLLING ENGINEERING ORGANIZATION                  SHOULD BE CONTACTED FOR THE LATEST REVISION.</small>		DWN 04JAN2002 E. ZANOLINI CHK 04JAN2002 E. ZANOLINI APVD 04JAN2002 D. BIEVENOUR	Tyco Electronics Harrisburg, PA 17105-3608		
DIMENSIONS: mm		TOLERANCES UNLESS OTHERWISE SPECIFIED: 0 PLC ±- 1 PLC ±.3 2 PLC ±.25 3 PLC ±- 4 PLC ±- ANGLES ±2		NAME TERMINAL BLOCK VERTICAL PLUG STACKING, RIGHT HAND 7.62mm PITCH	
MATERIAL - 1		FINISH - 1		PRODUCT SPEC - APPLICATION SPEC - WEIGHT -	
CUSTOMER DRAWING		SIZE A3	CAGE CODE 00779	DRAWING NO C-284049	RESTRICTED TO -
		SCALE 3:1		SHEET 1 OF 1 REV CI	

单击下面可查看定价，库存，交付和生命周期等信息

[>>TE Connectivity\(泰科\)](#)