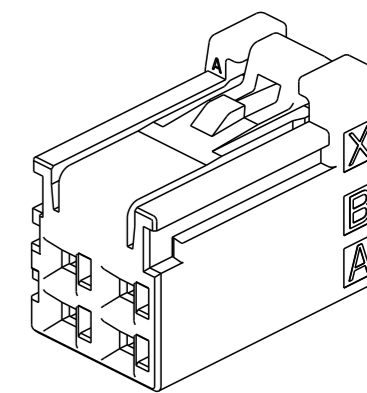


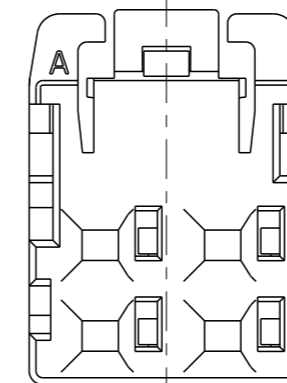
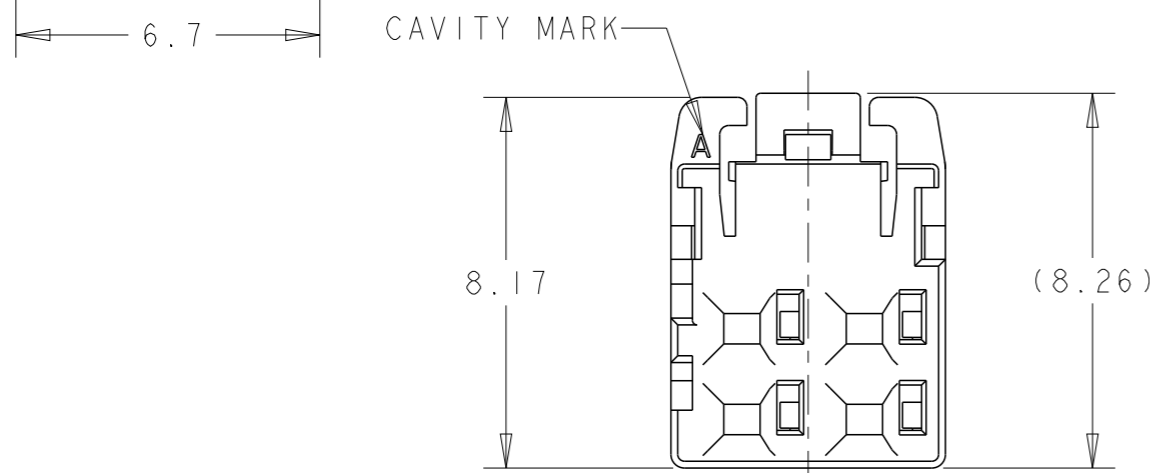
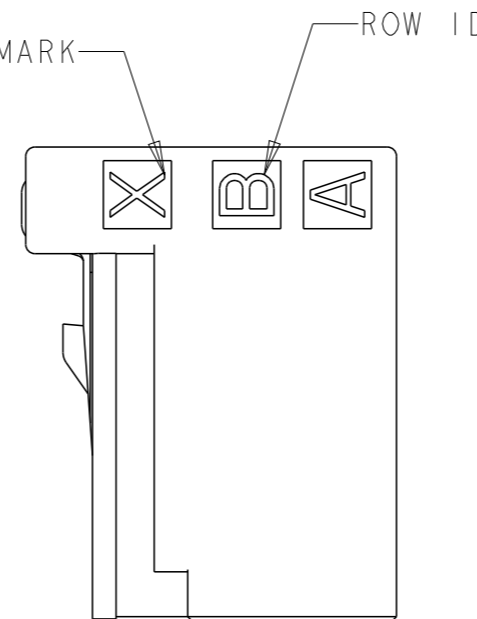
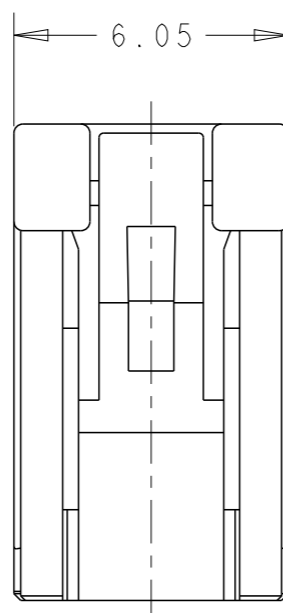
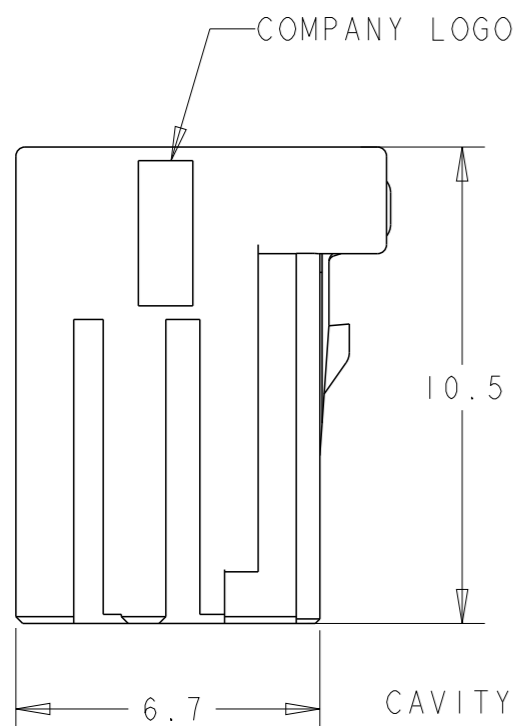
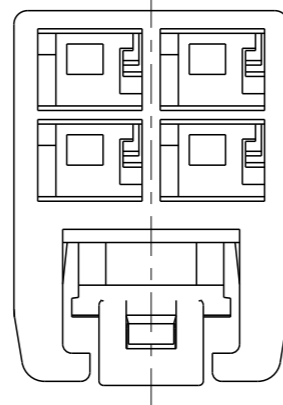
P	LTR	DESCRIPTION	DATE	DWN	APVD
	A	RELEASED	23MAR2021	Y.O	E.I
	B	REVISED	17JUN2021	Y.O	T.S
	C	REVISED	13JAN2022	Y.O	T.S

- MATERIAL: GLASS FILLED THERMO PLASTIC POLYESTER(94V-0), COLOR: SEE TABLE CONTAMINATION Ø1.2 MAX
- INSTRUCTION SHEET: 408-78197
- CIRCUIT NUMBER IS CONSISTED ROW ID AND CIRCUIT ID
EX: A1, A2, B1, B2
REFER TO SHEET 5



SCALE 4:1

COLOR	KEYING	POSN	PART NUMBER	
BLUE	Y	12	8-2366515-2	
	X		7-2366515-2	
NATURAL	Y		6-2366515-2	
	X		5-2366515-2	
BLACK	Y		4-2366515-2	
	X		3-2366515-2	
BLUE	Y		8	8-2366515-8
	X			7-2366515-8
NATURAL	Y			6-2366515-8
	X			5-2366515-8
BLACK	Y			2-2366515-8
	X			1-2366515-8
BLUE	Y	6	8-2366515-6	
	X		7-2366515-6	
NATURAL	Y		6-2366515-6	
	X		5-2366515-6	
BLACK	Y		2-2366515-6	
	X		1-2366515-6	
BLUE	Y	4	8-2366515-4	
	X		7-2366515-4	
NATURAL	Y		6-2366515-4	
	X		5-2366515-4	
BLACK	Y	2-2366515-4		
	X	1-2366515-4		



2-2366515-4
Y KEY 4POSN

1-2366515-4
X KEY 4POSN

THIS DRAWING IS A CONTROLLED DOCUMENT.		DWN Y. OKADA 12MAY2020												
DIMENSIONS: mm		CHK T. SHIMOYASU 12MAY2020												
TOLERANCES UNLESS OTHERWISE SPECIFIED: ±0.5, ±3°		APVD E. IKEMATSU 12MAY2020												
<table border="1"> <tr><td>0 PLC</td><td>±</td></tr> <tr><td>1 PLC</td><td>±0.5</td></tr> <tr><td>2 PLC</td><td>±0.13</td></tr> <tr><td>3 PLC</td><td>±0.013</td></tr> <tr><td>4 PLC</td><td>±0.0001</td></tr> <tr><td>ANGLES</td><td>±</td></tr> </table>		0 PLC			±	1 PLC	±0.5	2 PLC	±0.13	3 PLC	±0.013	4 PLC	±0.0001	ANGLES
0 PLC	±													
1 PLC	±0.5													
2 PLC	±0.13													
3 PLC	±0.013													
4 PLC	±0.0001													
ANGLES	±													
MATERIAL SEE NOTE		APPLICATION SPEC -	NAME RECEPTACLE HOUSING, D1000 SLIM, DYNAMIC											
FINISH -		WEIGHT -	SIZE A3	CAGE CODE 00779										
-		CUSTOMER DRAWING	DRAWING NO C-2366515	RESTRICTED TO -										
		SCALE 6:1	SHEET 1 OF 5	REV C										

REVISIONS

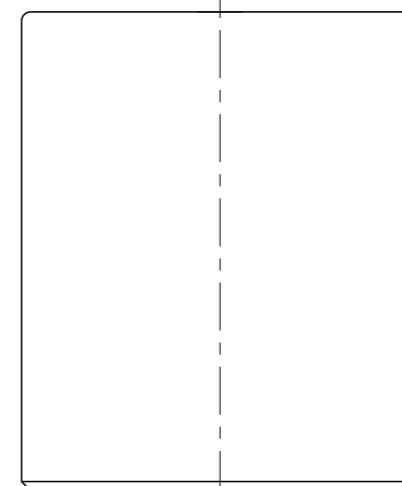
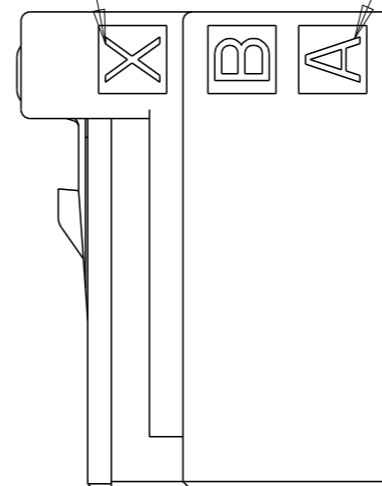
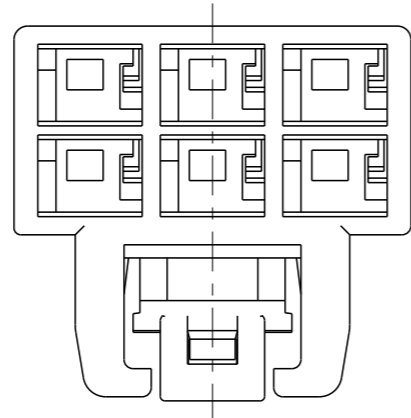
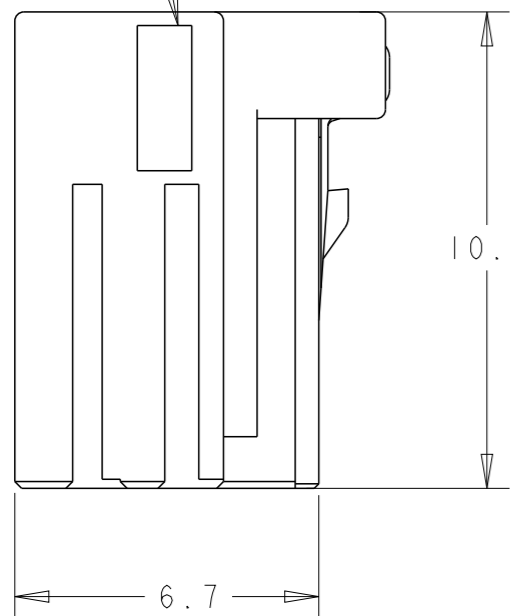
P	LTR	DESCRIPTION	DATE	DWN	APVD
	-	SEE SHEET 1	-	-	-

COMPANY LOGO

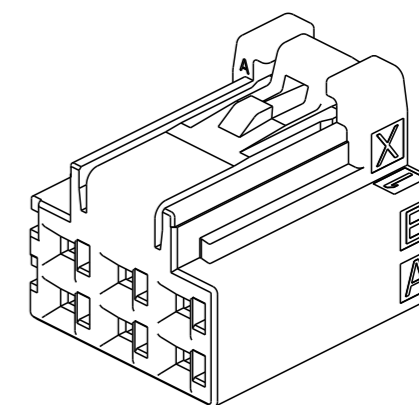
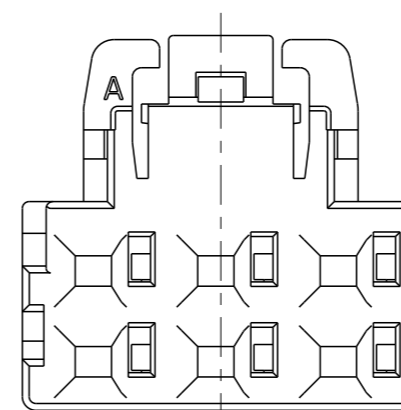
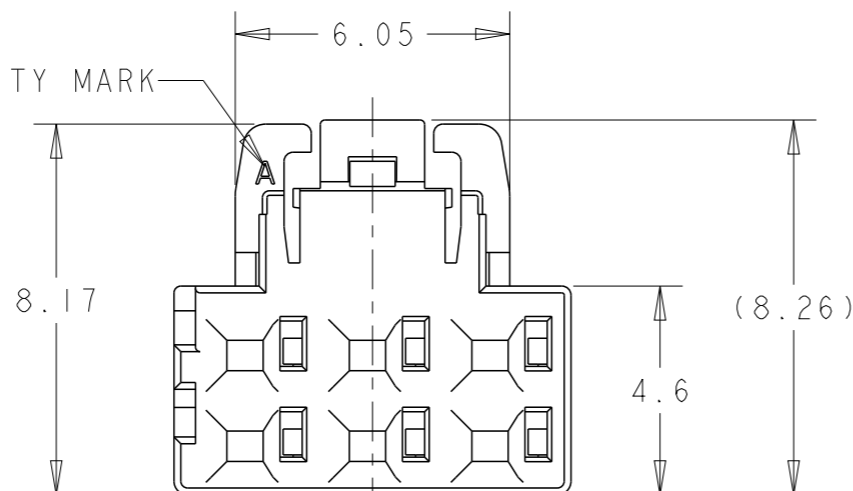
CIRCUIT ID

KEYING MARK

ROW ID



CAVITY MARK



SCALE 4:1

2-2366515-6
Y KEY 6POSN

1-2366515-6
X KEY 6POSN

THIS DRAWING IS A CONTROLLED DOCUMENT.

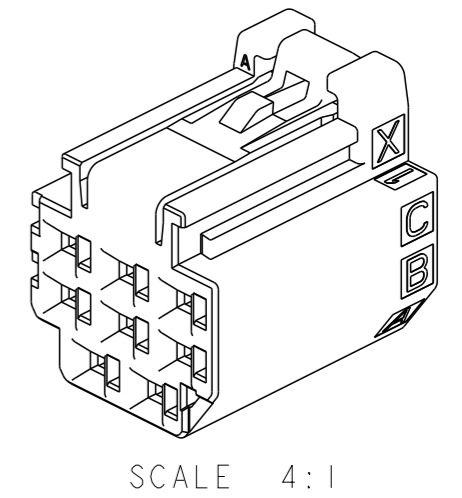
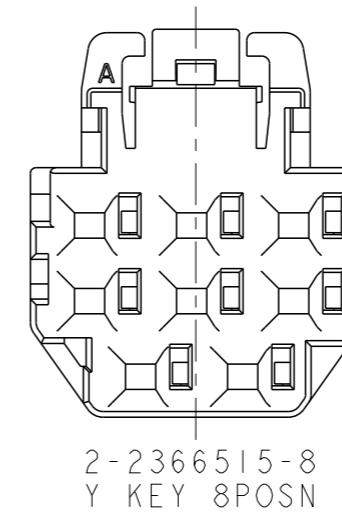
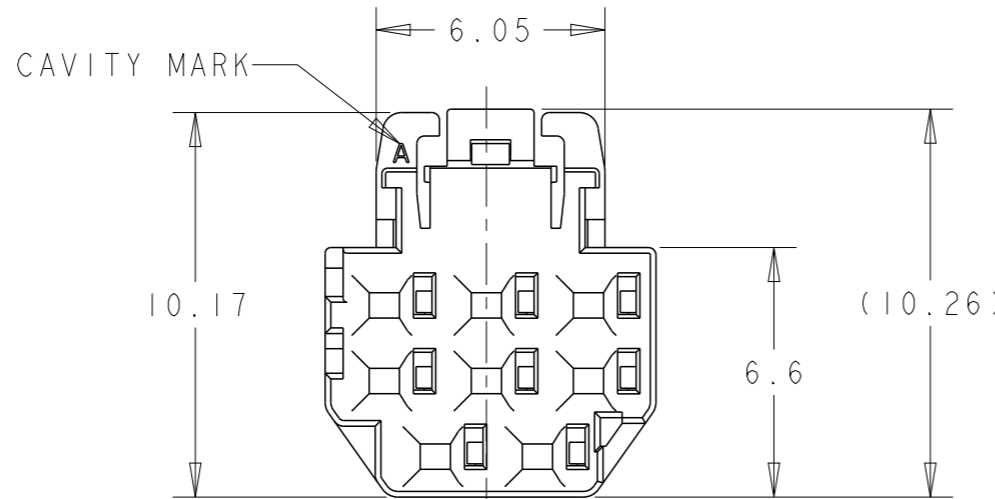
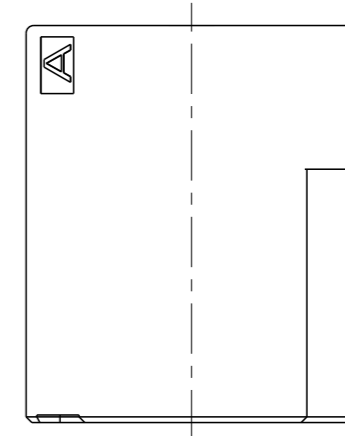
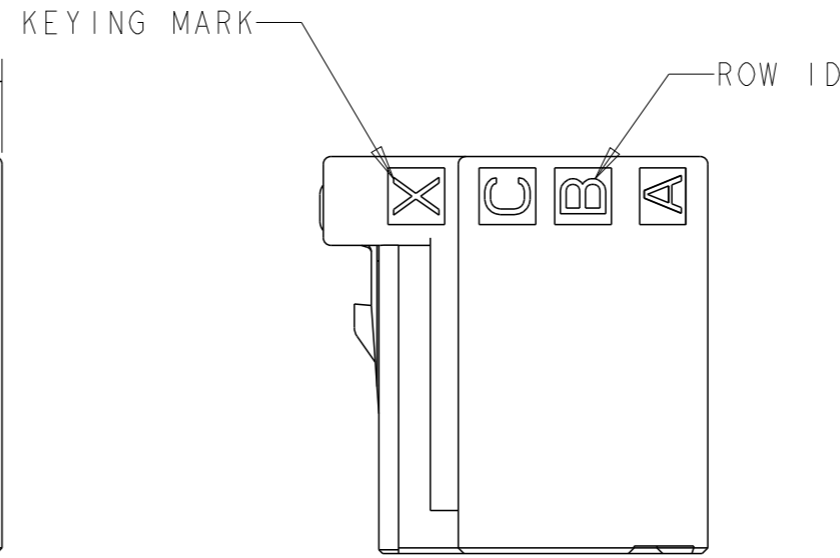
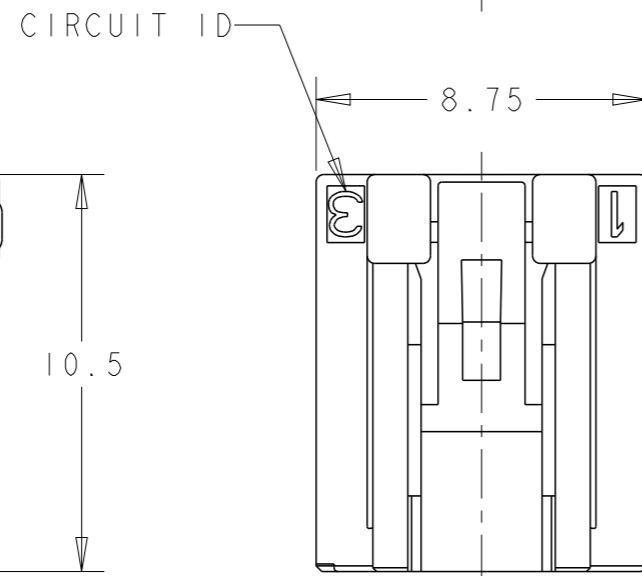
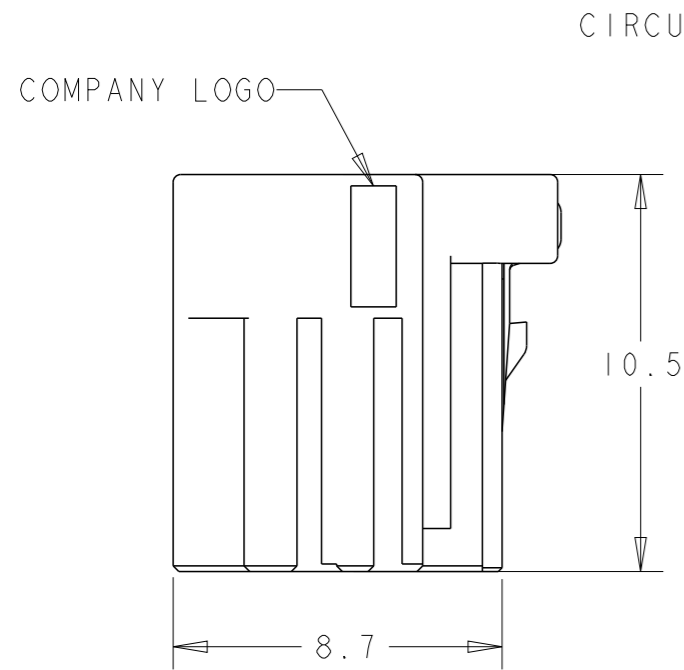
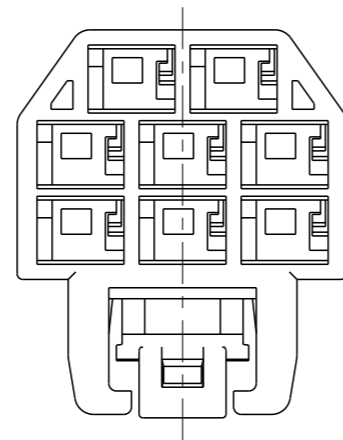
DIMENSIONS: mm	
MATERIAL SEE NOTE	

TOLERANCES UNLESS OTHERWISE SPECIFIED: ±0.5, ±3°	
0-PLC	±
1-PLC	±0.5
2-PLC	±0.13
3-PLC	±0.013
4-PLC	±0.0001
ANGLES	±
FINISH	-



DWN	Y. OKADA	12MAY2020
CHK	T. SHIMOYASU	12MAY2020
APVD	E. IKEMATSU	12MAY2020
PRODUCT SPEC	108-140257	
APPLICATION SPEC	-	
WEIGHT	-	
CUSTOMER DRAWING		

		NAME		RESTRICTED TO
		RECEPTACLE HOUSING, D1000 SLIM, DYNAMIC		
SIZE	CAGE CODE	DRAWING NO	-	
A3	00779	C-2366515	-	
SCALE 6:1		SHEET 2 OF 5	REV C	

P	LTR	DESCRIPTION	DATE	DWN	APVD
-	-	SEE SHEET 1	-	-	-

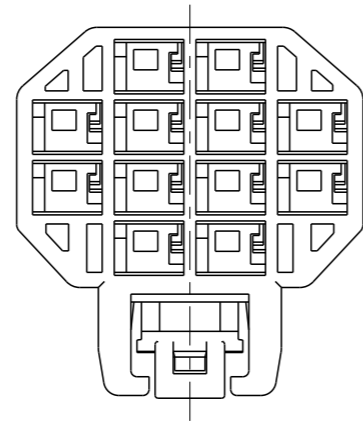


1-2366515-8
X KEY 8 POSN

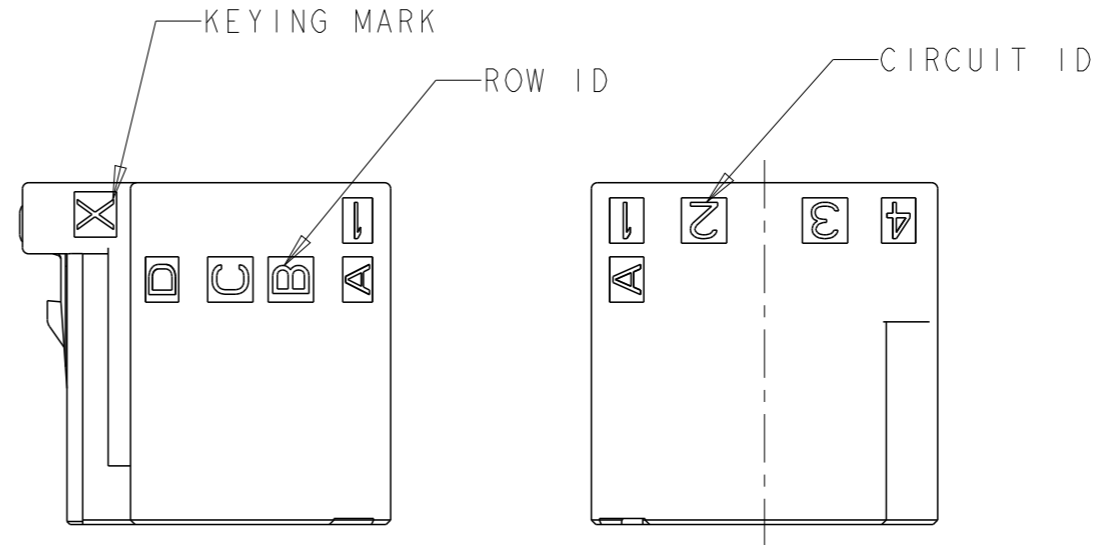
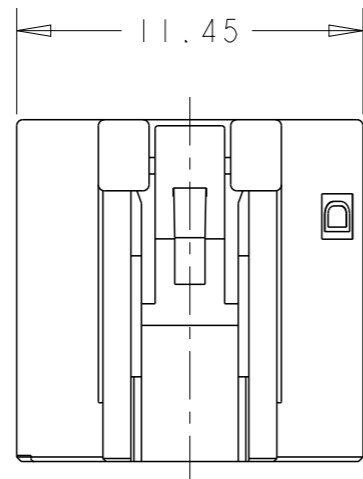
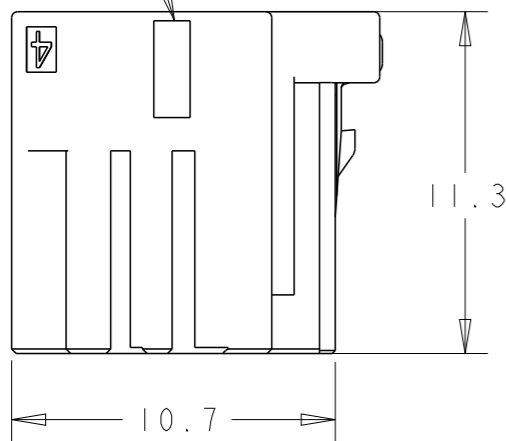
THIS DRAWING IS A CONTROLLED DOCUMENT.		DWN Y. OKADA 12MAY2020	 TE Connectivity		
DIMENSIONS: mm		CHK T. SHIMOYASU 12MAY2020			
 TOLERANCES UNLESS OTHERWISE SPECIFIED: ±0.5, ±3°		APVD E. IKEMATSU 12MAY2020	NAME RECEPTACLE HOUSING, D1000 SLIM, DYNAMIC		
MATERIAL SEE NOTE		PRODUCT SPEC 108-140257	SIZE A3	CAGE CODE 00779	DRAWING NO C-2366515
FINISH		APPLICATION SPEC -	RESTRICTED TO		
-		WEIGHT -	-		
-		CUSTOMER DRAWING	SCALE 5:1	SHEET 3 OF 5	REV C

REVISIONS

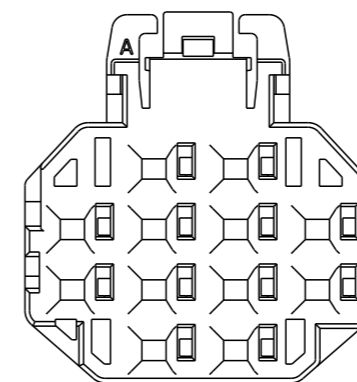
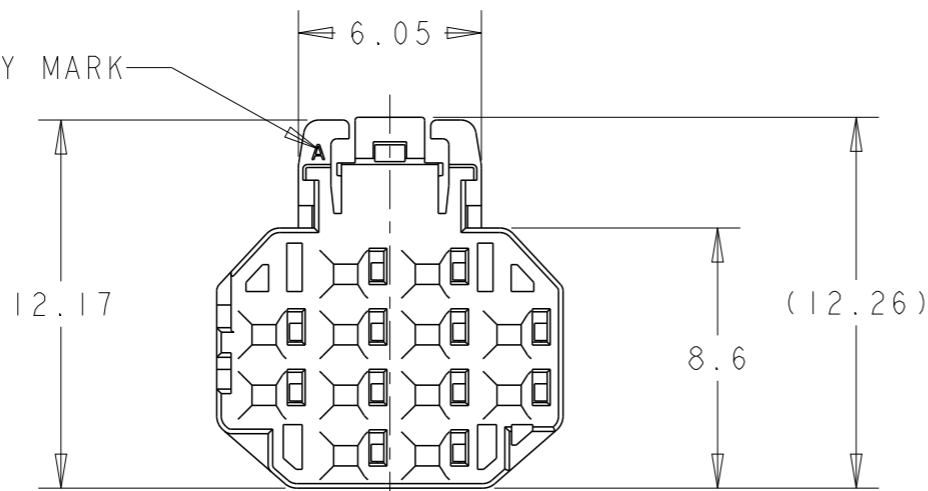
P	LTR	DESCRIPTION	DATE	DWN	APVD
	-	SEE SHEET 1	-	-	-



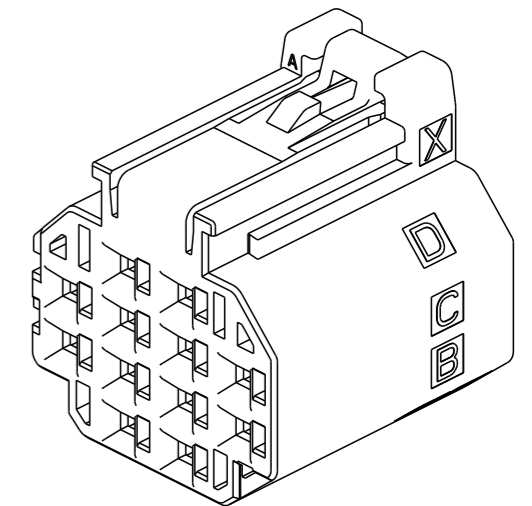
COMPANY LOGO



CAVITY MARK



4-2366515-2
Y KEY 12 POSN

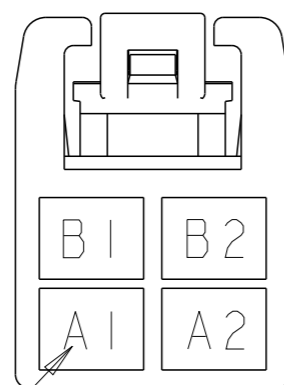


3-2366515-2
X KEY 12 POSN

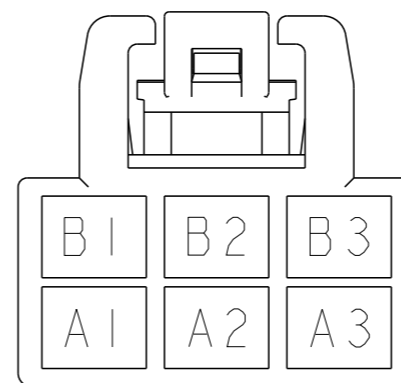
THIS DRAWING IS A CONTROLLED DOCUMENT.		DWN Y. OKADA 12MAY2020		
DIMENSIONS: mm		CHK T. SHIMOYASU 12MAY2020		
TOLERANCES UNLESS OTHERWISE SPECIFIED: ±0.5, ±3°		APVD E. IKEMATSU 12MAY2020	NAME RECEPTACLE HOUSING, D1000 SLIM, DYNAMIC	
		PRODUCT SPEC 108-140257	RESTRICTED TO	
MATERIAL SEE NOTE		APPLICATION SPEC -	SIZE A3	CAGE CODE 00779
FINISH -		WEIGHT -	DRAWING NO C-2366515	SCALE 4:1
		CUSTOMER DRAWING	SHEET 4 OF 5	REV C

REVISIONS

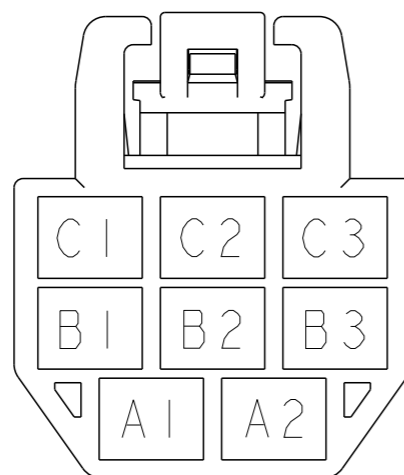
P	LTR	DESCRIPTION	DATE	DWN	APVD
	-	SEE SHEET 1	-	-	-



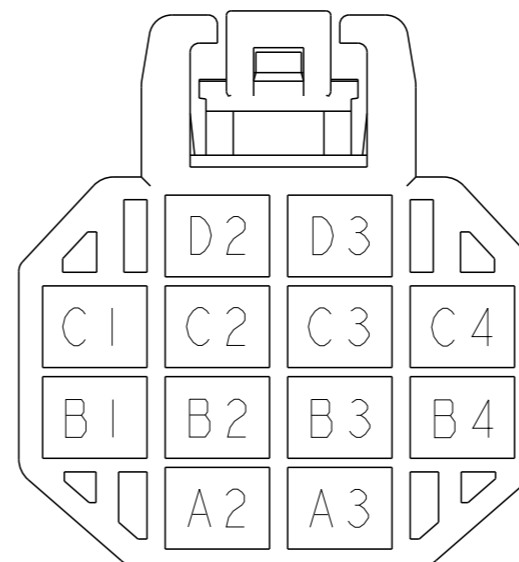
CIRCUIT NUMBER 4 POSN



6 POSN



8 POSN



12 POSN

THIS DRAWING IS A CONTROLLED DOCUMENT.		DWN Y. OKADA 12MAY2020			
DIMENSIONS: mm		CHK T. SHIMOYASU 12MAY2020			
TOLERANCES UNLESS OTHERWISE SPECIFIED: ± 0.5, ± 3°		APVD E. IKEMATSU 12MAY2020	NAME RECEPTACLE HOUSING, D1000 SLIM, DYNAMIC		
		PRODUCT SPEC 108-140257	RESTRICTED TO		
MATERIAL SEE NOTE		APPLICATION SPEC -	SIZE A3	CAGE CODE 00779	DRAWING NO G-2366515
FINISH -		WEIGHT -	SCALE 6:1		
-		CUSTOMER DRAWING		SHEET 5 OF 5	REV C

单击下面可查看定价，库存，交付和生命周期等信息

[>>TE Connectivity\(泰科\)](#)