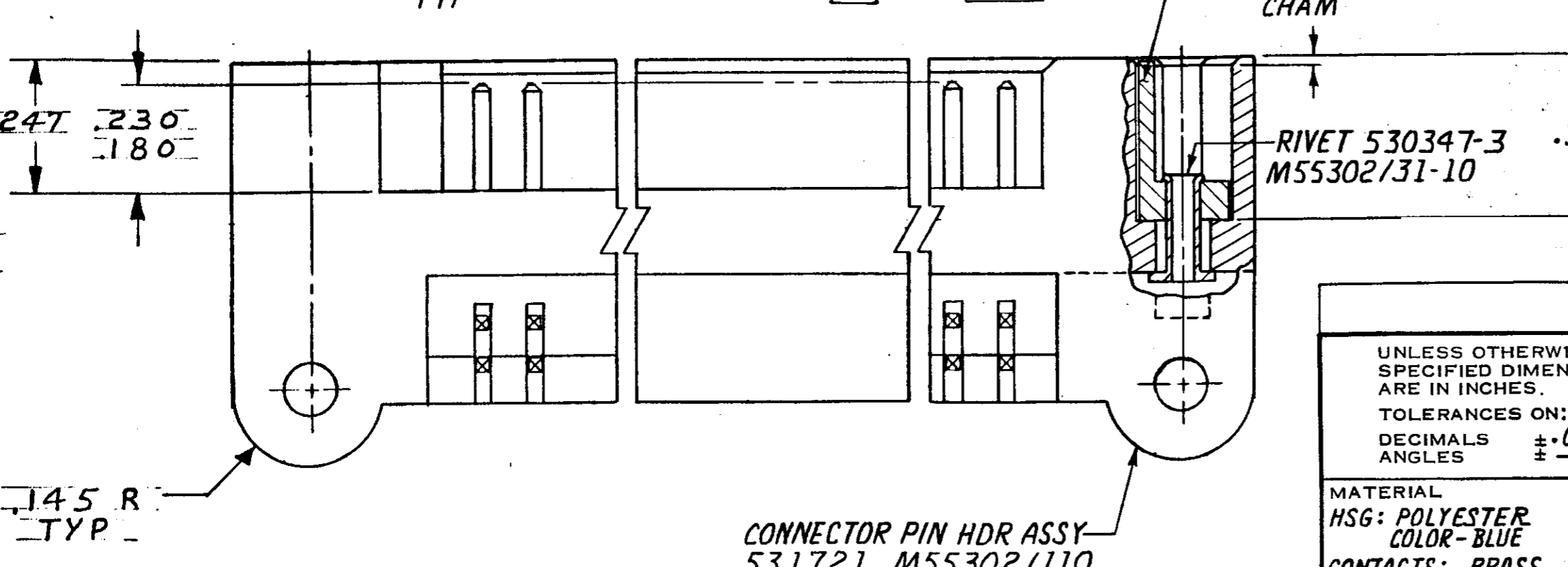
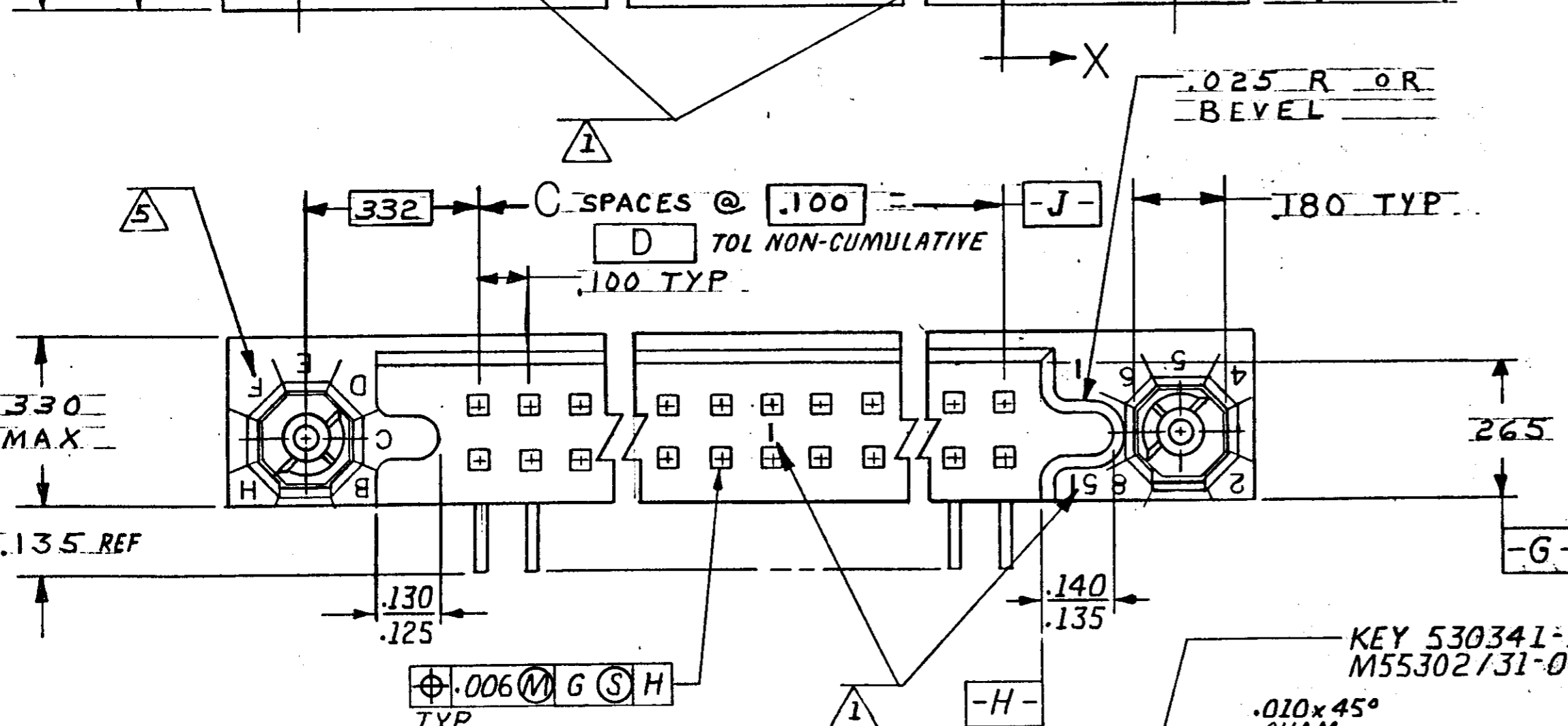
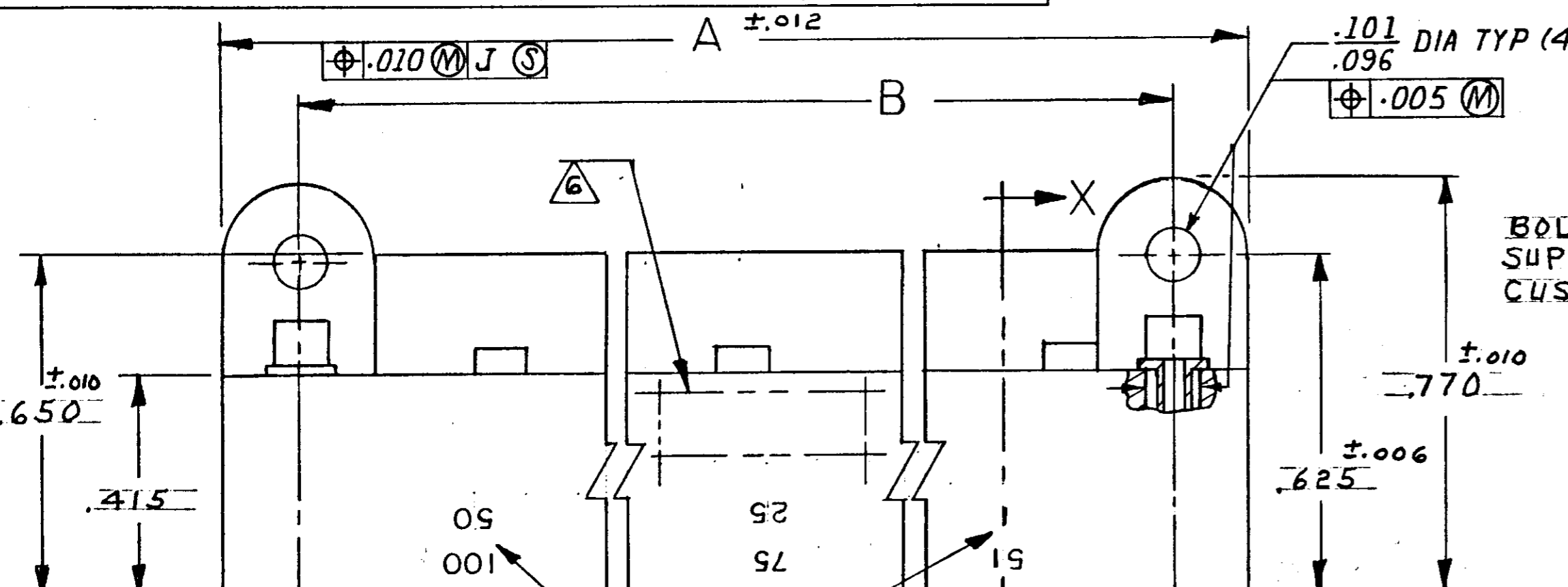


THIS DRAWING IS UNPUBLISHED. RELEASED FOR PUBLICATION
 © COPYRIGHT 19 BY AMP INCORPORATED, HARRISBURG, PA. ALL INTERNATIONAL RIGHTS RESERVED. AMP PRODUCTS MAY BE COVERED BY U.S. AND FOREIGN PATENTS AND/OR PATENTS PENDING.

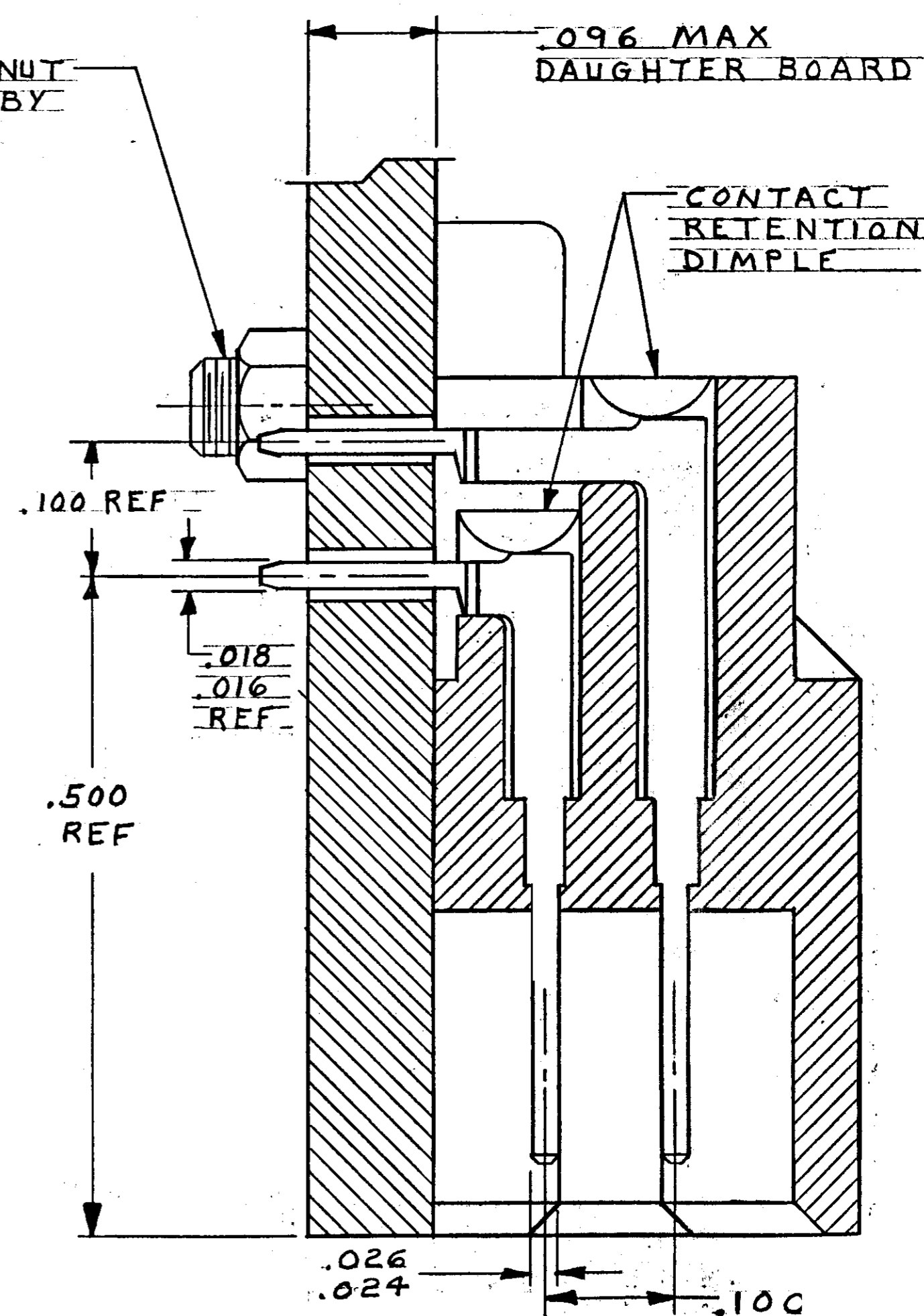
REVISIONS						
P	F	ZONE	LTR	DESCRIPTION	DATE	APPROVED
✓	✓		F	REV PER DF-4316	AJG	2-91
✓	✓		G	REV PER 0600-5641-96	TT	9-97
			H	REV PER 0600-6467-97	TT	10-98
			J	ECO-10-002921	PY	3-10 DM



BOLT AND NUT SUPPLIED BY CUSTOMER

.096 MAX DAUGHTER BOARD

CONTACT RETENTION DIMPLE



SECTION X-X
SCALE 10:1

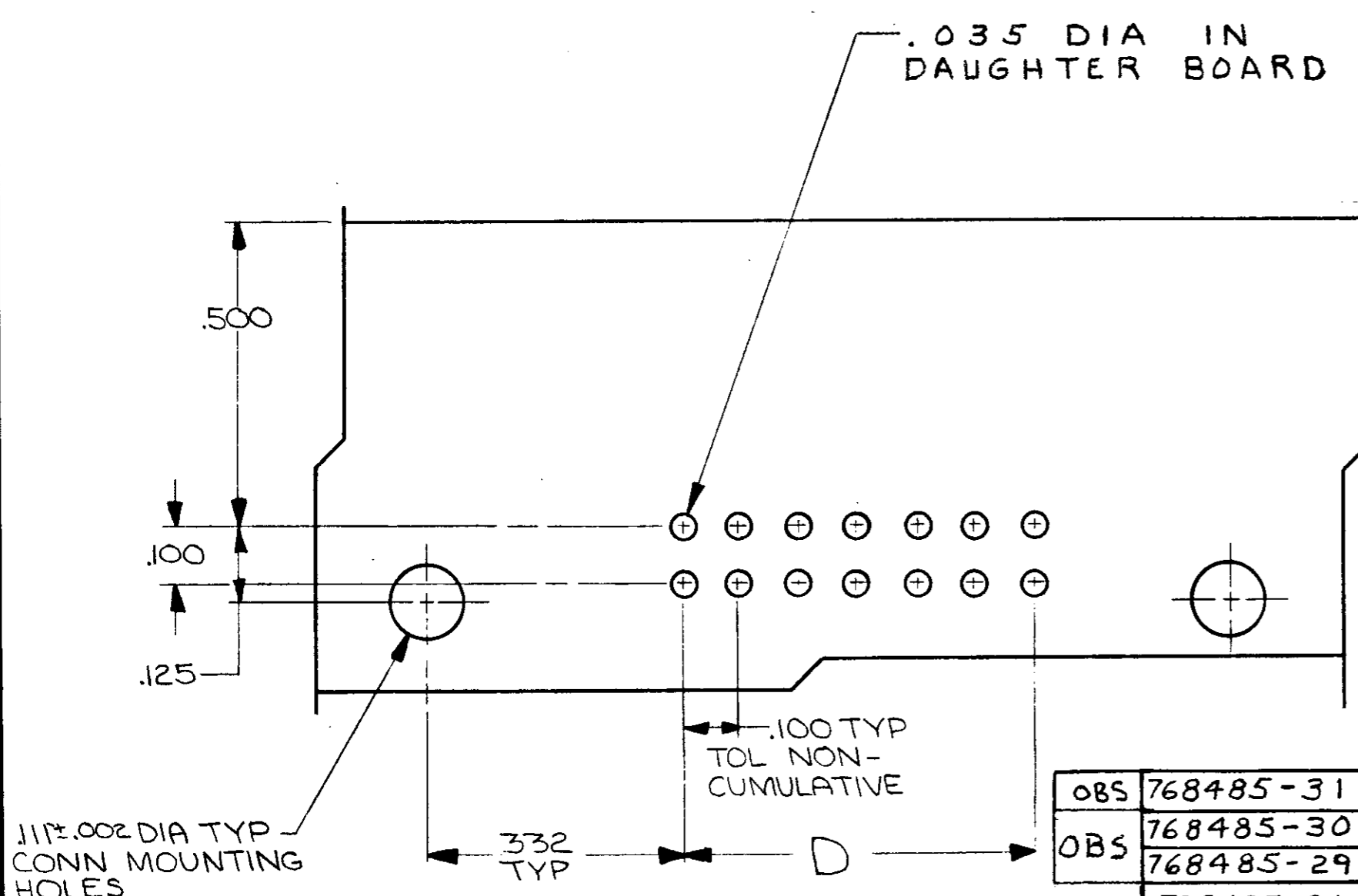
CONNECTOR PIN HDR ASSY
531721 M55302/110

UNLESS OTHERWISE SPECIFIED DIMENSIONS ARE IN INCHES. TOLERANCES ON: DECIMALS ±.005 ANGLES ±	CONTRACT NO		PART NO		
	DR	10-26-81	AMP AMP INCORPORATED Harrisburg, Pa. 17105		
	CHK	12-15-81			
	MATERIAL	HSG: POLYESTER COLOR-BLUE CONTACTS: BRASS	NAME PIN HDR ASSY, W/EXTERNAL KEYING, RGT ANGLE, MOUNTED CONNECTOR, BOX CONTACT, 1001 SERIES		
FINISH	CONTACTS: .000050 MIN GOLD OVER NICKEL	SIZE	FSCM NO	DRAWING NO	REV
		C	00779	531102	J
		SCALE	4:1	SHEET 1 OF 3	

CUSTOMER DRAWING

© COPYRIGHT 19 BY AMP INCORPORATED, HARRISBURG, PA.
ALL INTERNATIONAL RIGHTS RESERVED. AMP INCORPORATED PRODUCTS
COVERED BY U. S. AND FOREIGN PATENTS AND/OR PATENTS PENDING.

LOC		DIST		REVISIONS				
DF	FO	P	F	ZONE	LTR	DESCRIPTION	DATE	APPROVED
						SEE SHEET 1		



RECOMMENDED BOARD LAYOUT
NOT TO SCALE

OBS	768485-31	4.065	3.400	34	4.065	4.355		531721-5	C 3	1-36	70	2-531102-4
OBS	768485-30	4.065	3.400	34	4.065	4.355		-5	B 2	1-36	70	2-531102-3
OBS	768485-29	4.065	3.400	34	4.065	4.355		-5	A 1	1-36	70	2-531102-2
	768485-21	4.565	3.900	39	4.565	4.855		-6	G5	1-41	80	2-531102-1
	-20							-6	H6			2- -0
	-19							-6	A8			1- -9
	-18							-6	B5			1- -8
	-17	4.565	3.900	39	4.565	4.855		-6	F3	1-41	80	1- -7
OBS	-16	6.065	5.400	54	6.065	6.355		-9	H6	1-56	110	1- -6
	-15							-9	H1			1- -5
	-14							-9	G5			1- -4
	-13							-9	G4			1- -3
	-12							-9	F8			1- -2
OBS	-11							-9	F3			1- -1
	-10							-9	E7			1- -0
	-9							-9	E2			-9
	-8							-9	D7			-8
OBS	-7							-9	D1			-7
	-6							-9	C6			-6
	-5							-9	C4			-5
OBS	-4							-9	B5			-4
	-3							-9	B3			-3
	-2							-9	A8			-2
OBS	768485-1	6.065	5.400	54	6.065	6.355		531721-9	A2	1-56	110	531102-1
	CUSTOMER PART NO	E	D	C	B	A		UNKEYED CONN P/N	KEYING LOCATIONS	CAVITY IDENT NO	NO OF POS	ASSEMBLY PART NO

1. NUMBERS AND LINES INDICATING EVERY FIVE CAVITIES MARKED ON MATING FACE NUMBERS INDICATING EVERY FIVE CAVITIES MARKED ON SIDE. (SEE TABLE)
2. MUST MEET ALL APPLICABLE REQUIREMENTS OF MIL-C-55302.
3. KEY CAPTIVATED BY RIVET. ROLLED EDGES OF RIVET TIGHT AT LEAST 270° OF CONTACTING SURFACES.
4. USE EXTERNAL KEY NO 530341-1, MATES WITH PART NO 530340.
5. KEY POSITION IDENTIFICATION MOLDED ON SURFACE SHOWN.
6. ASSEMBLY PART NUMBER, AMP, PART NUMBER, CUST PART NO. (SEE TABLE), AND DATE CODE MARKED ON THIS AREA

UNLESS OTHERWISE SPECIFIED DIMENSIONS ARE IN INCHES. TOLERANCES ON: DECIMALS ± .005 ANGLES	CONTRACT NO		AMP INCORPORATED Harrisburg, Pa.		
	MATERIAL	DR			
FINISH	CHK	NAME			
	APPD	PIN HEADER ASSY, W/ EXTERNAL KEYING, RIGHT ANGLE, CONNECTOR, BOX CONTACT, 1001 SERIES			
	DSGN APPD	SIZE	CODE IDENT NO	DRAWING NO	REV
	OTHER APPD	C	00779	531102	J
		SCALE	SHEET		
		4:1	2 of 3		

© COPYRIGHT 19 BY AMP INCORPORATED, HARRISBURG, PA.
 ALL INTERNATIONAL RIGHTS RESERVED. AMP INCORPORATED PRODUCTS
 COVERED BY U. S. AND FOREIGN PATENTS AND/OR PATENTS PENDING.

REVISIONS						
P	F	ZONE	LTR	DESCRIPTION	DATE	APPROVED
SEE SHEET 1						

OBS	768485-61	6.065	5.400	5A	6.065	6.355	531721-9	F6	1-56	110	4-531102-4
	768485-26	6.065	5.400	5A	6.065	6.355	531721-9	E-4	1-56	110	4-531102-3
OBS	↑ -24	↑	↑	↑	↑	↑	↑ -9	C-8	↑	↑	4-↑ -2
OBS	-23						-9	C-2			4- -1
	-22						-9	B-1			4- -0
	-35						-9	A-3			3- -9
OBS	-62						-9	F-7			3- -8
	-56						-9	E-5			3- -7
OBS	-55						-9	E-3			3- -6
OBS	-54						-9	E-1			3- -5
	-53						-9	D-8			3- -4
OBS	-52						-9	D-6			3- -3
	-51						-9	D-5			3- -2
OBS	-50						-9	D-4			3- -1
	-72						-9	H-8			3- -0
OBS	-60						-9	F-5			2- -9
OBS	-38						-9	A-6			2- -8
OBS	-67						-9	G-8			2- -7
	-47						-9	C-5			2- -6
	768485-25	6.065	5.400	5A	6.065	6.355	531721-9	D-3	1-56	110	2-531102-5
CUSTOMER PART NO	E	D	C	B	A		UNKEYED CONN P/N	KEYING LOCATIONS	CAVITY IDENT NO	NO OF POS	PART NO

531102

UNLESS OTHERWISE SPECIFIED DIMENSIONS ARE IN INCHES. TOLERANCES ON: DECIMALS ±.005 ANGLES ±	CONTRACT NO		AMP AMP INCORPORATED Harrisburg, Pa.	
	MATERIAL			
FINISH	DR <i>M. Smith</i> 6-21-79 CHK <i>Roger W. Pault</i> 7/3/79 APPD <i>Roger W. Pault</i> 7/3/79 APPD <i>E. Trump</i> 7/3/79 DSGN APPD OTHER APPD		NAME PIN HEADER ASSY, WITH EXTERNAL KEYING, RIGHT ANGLE, MOUNTED CONNECTOR, BOX CONTACT, 1001 SERIES	
	SIZE C CODE IDENT NO 00779 DRAWING NO 531102 REV J		SCALE # SHEET 3 of 3	

单击下面可查看定价，库存，交付和生命周期等信息

[>>TE Connectivity\(泰科\)](#)