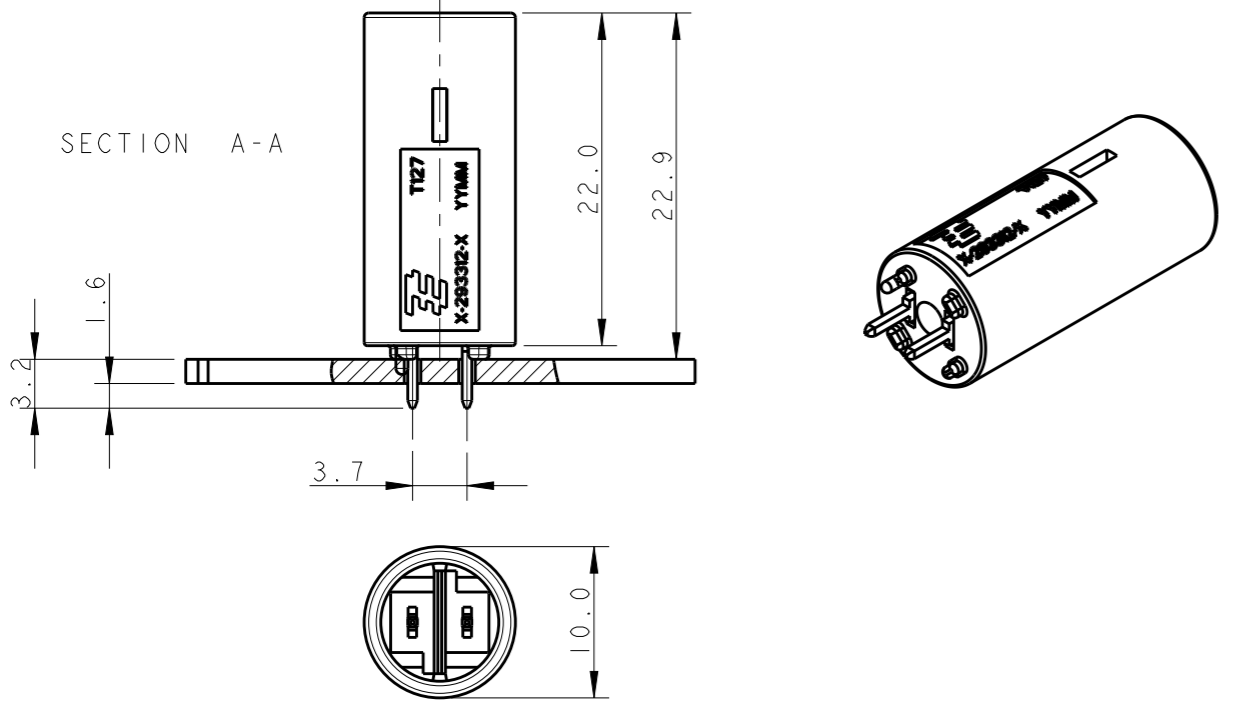


THIS DRAWING IS UNPUBLISHED. RELEASED FOR PUBLICATION 20  
 © COPYRIGHT 20 BY - ALL RIGHTS RESERVED.

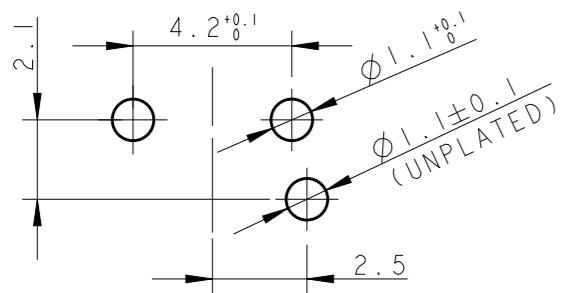
LOC	DIST	REVISIONS					
		P	LTR	DESCRIPTION	DATE	DWN	APVD
1	2		A	FIRST ISSUE	17FEB2010	AV	GT
			A1	REVISED MARKS ON -5 WAS MARKED AC	04OCT2011	AV	GT
			A2	REVISED PER ECR-13-009678	18SEP2013	RS	DD

### TYPICAL APPLICATION



### PRINTED CIRCUIT BOARD LAYOUT FOR LOW VOLTAGE VERSION

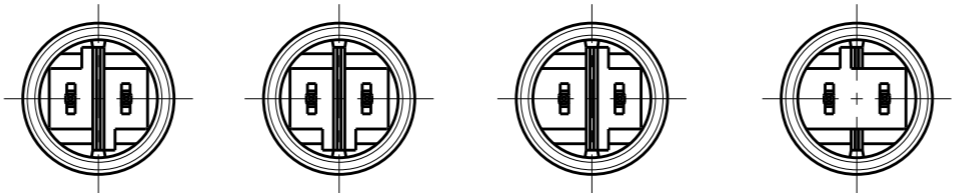
TOLERANCES UNLESS OTHERWISE SPECIFIED ± 0.05  
 PRINTED CIRCUIT BOARD THICKNESS: 1.6 mm NOMINAL



SCALE 5:2

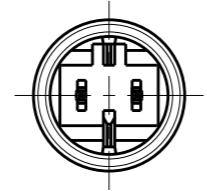
### HIGH VOLTAGE

KEYING HV-2    KEYING HV-3    KEYING HV-4    KEYING HV-5



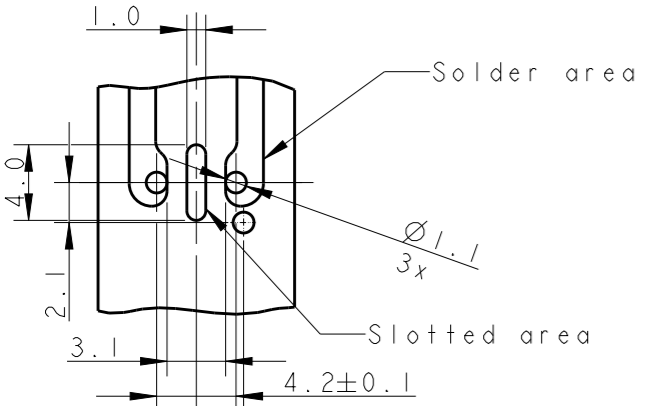
### LOW VOLTAGE

KEYING LV-2



### PRINTED CIRCUIT BOARD LAYOUT FOR HIGH VOLTAGE VERSION

TOLERANCES UNLESS OTHERWISE SPECIFIED ± 0.05  
 PRINTED CIRCUIT BOARD THICKNESS: 1.6 mm NOMINAL



SCALE 5:2

KEYING	REMARKS	PART NUMBER	CTC. FINISH SURFACE	COLOR
LV-2	LOW-VOLT 42 V DC	293653-5	TIN	WHITE
HV-5	HIGH-VOLT 6A 125 V AC	293653-4	TIN	WHITE
HV-4	HIGH-VOLT 6A 125 V AC	293653-3	TIN	WHITE
HV-3	HIGH-VOLT 6A 125 V AC	293653-2	TIN	WHITE
HV-2	SWITCH-KEYING	293653-1	TIN	WHITE

THIS DRAWING IS A CONTROLLED DOCUMENT.

DIMENSIONS:	TOLERANCES UNLESS OTHERWISE SPECIFIED:
mm	
0 PLC	±-
1 PLC	±0.3
2 PLC	±0.1
3 PLC	±-
4 PLC	±-
ANGLES	±0.5°
MATERIAL	FINISH
-	-

DWN	A. vecchia	17FEB2010
CHK	G. Turco	17FEB2010
APVD	G. Turco	17FEB2010
PRODUCT SPEC	108-20294	
APPLICATION SPEC	114-32102	
WEIGHT	-	
CUSTOMER DRAWING		

**STE** TE Connectivity

NAME: 7.5 mm PCB CONNECTOR ASSEMBLY STRAIGHT MALE VERSION FOR USA MARKET

SIZE	CAGE CODE	DRAWING NO	RESTRICTED TO
A3	00779	C-293653	-

SCALE 5:1    SHEET 1 OF 1    REV A2

单击下面可查看定价，库存，交付和生命周期等信息

[>>TE Connectivity\(泰科\)](#)