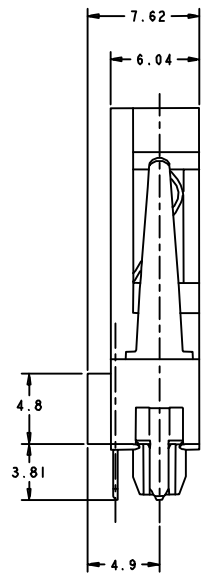
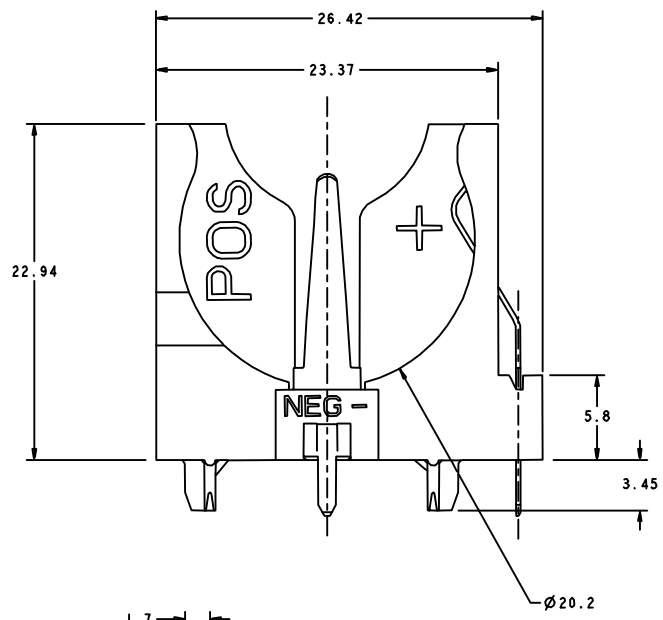
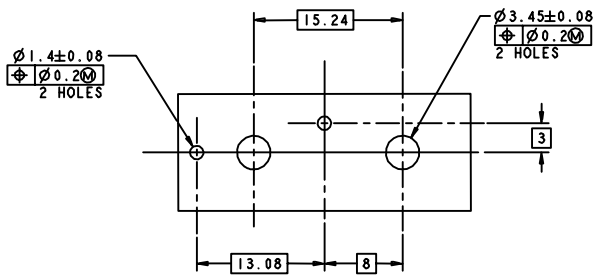
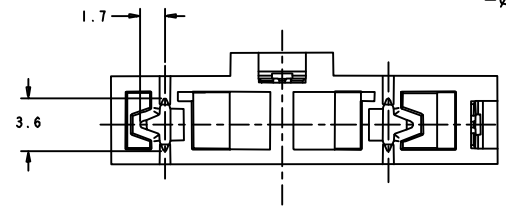


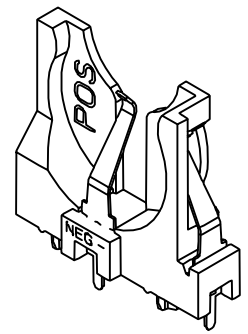
REVISONS		DATE	BY	APP
A	ADD GENERAL TOLERANCE	09NOV2017	A.L.	WK.F



△ MATERIAL:CONNECTOR HOUSING- PBT, GLASS FILLED,
 UL-94V-0 FLAME CLASS RATING, BLACK.
 CONTACTS- STAINLESS STEEL, TIN COATED
 0.0015-0 0040 THICK OVER NICKEL 0 0015 MIN THICK.
 2. CONNECTOR ACCEPTS BATTERY NUMBER CR2032.



PC BOARD LAYOUT VIEWED FROM
 COMPONENT SIDE OF BOARD
 SCALE 4:1



SCALE 4:1

6339488-1
 PART NO.

THIS DRAWING IS A CONTROLLED DOCUMENT.		REV. 1	ART. LIT.	09NOV2017	TE Connectivity	
DRAWN BY: [blank]		DESIGNED BY: [blank]	DESIGNED BY: [blank]	DATE: [blank]	BATTERY CONNECTOR ASSEMBLY	
CHECKED BY: [blank]		APPROVED BY: [blank]	APPROVED BY: [blank]	DATE: [blank]	VERTICAL MOUNT	
QUANTITY: [blank]		QUANTITY: [blank]	QUANTITY: [blank]	QUANTITY: [blank]	APPLICATION SPEC: [blank]	
MATERIAL: [blank]		FINISH: [blank]	SECURITY: 5	SCALE: A1	ONE CODE: 00779	DRAWING NO: C-6339488
CUSTOMER DRAWING		SCALE: 1:1	SHEET: 1	OF: 1	REV: [blank]	APP: [blank]

单击下面可查看定价，库存，交付和生命周期等信息

[>>TE Connectivity\(泰科\)](#)