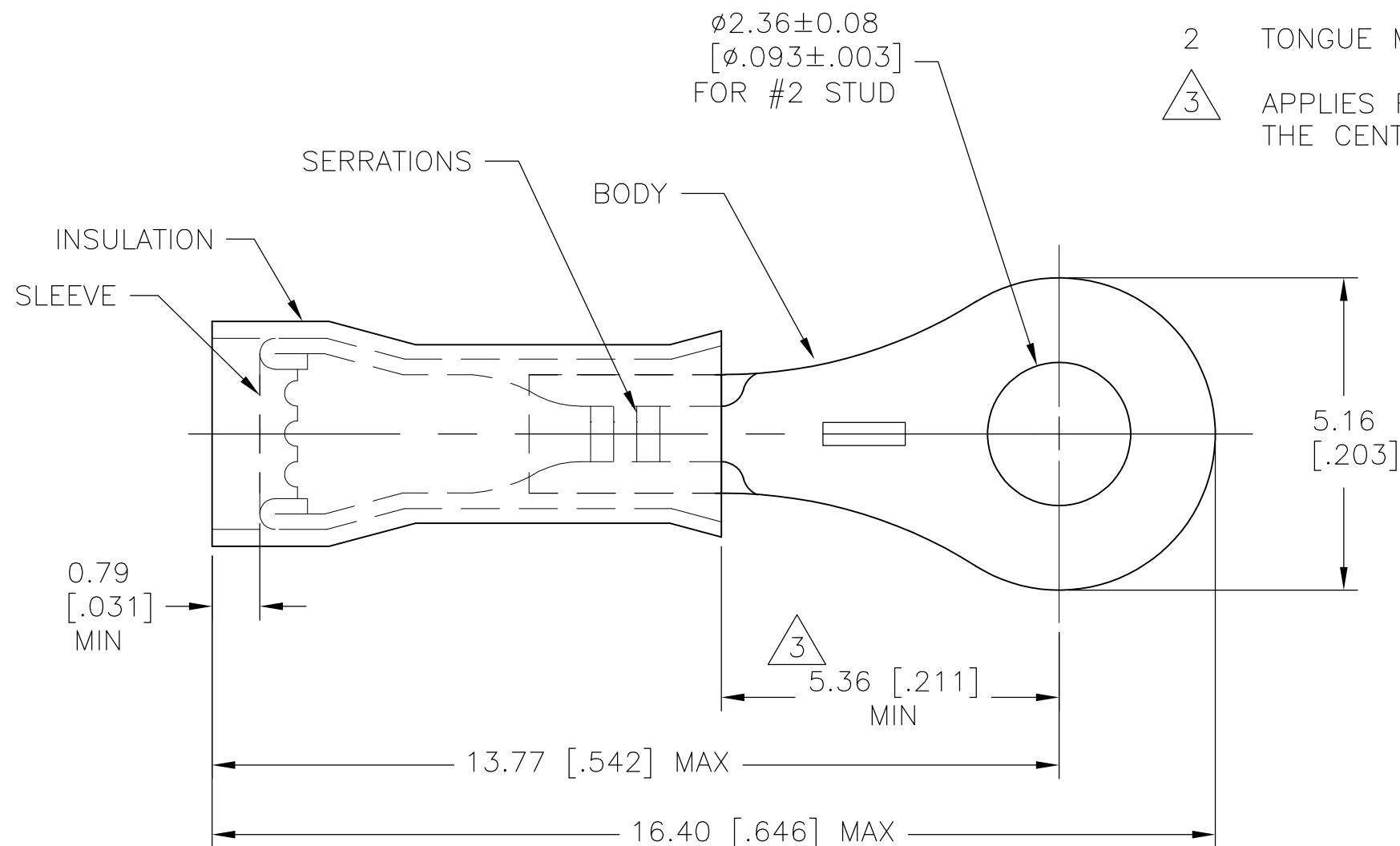


THIS DRAWING IS UNPUBLISHED. RELEASED FOR PUBLICATION
 © COPYRIGHT BY TYCO ELECTRONICS CORPORATION. ALL INTERNATIONAL RIGHTS RESERVED.

LOC	DIST	REVISIONS			
P	LTR	DESCRIPTION	DATE	DWN	APVD
G	14	J	REVISED PER ECR-10-003079	03MAR10	JR TM



- 1 FOR 1.27 [.050] TO 2.08 [.082] WIRE INSULATION DIA
- 2 TONGUE MATERIAL THK = 0.46 ± 0.05 [.018 ± .002]
- 3 APPLIES FROM THE METAL EDGE OF THE BARREL TO THE CENTER OF THE STUD

QTY	DESCRIPTION	MATERIAL & FINISH	PART NO
5000	321015 ON TAPE	BODY & SLEEVE: COPPER (ASTM-B152) TIN PL (ASTM-B545)	OBSOLETE 2-321015-2
1000	WIRE TERMINAL	INSULATION: YELLOW PVC	321015

THIS DRAWING IS A CONTROLLED DOCUMENT.		DWN JR RUTH 03MAR10	Tyco Electronics Corporation Harrisburg, PA 17105-3608	
DIMENSIONS: mm [INCHES]		CHK JEFF RUTH 03MAR10	NAME	
TOLERANCES UNLESS OTHERWISE SPECIFIED:		APVD TOM MICHIELUTTI 03MAR10	WIRE TERMINAL PIDG - RING TONGUE WIRE SIZE: 26 - 22	
0 PLC ± -		PRODUCT SPEC	SIZE	CAGE CODE
1 PLC ± -		APPLICATION SPEC	DRAWING NO	RESTRICTED TO
2 PLC ± -		WEIGHT	A3	00779
3 PLC ± 0.20 [.008]		CUSTOMER DRAWING	C=	321015
4 PLC ± -		SCALE	10:1	SHEET
ANGLES ± 5°		SCALE	10:1	1 OF 1
MATERIAL SEE TABLE	FINISH SEE TABLE	SCALE	10:1	REV J

单击下面可查看定价，库存，交付和生命周期等信息

[>>TE Connectivity\(泰科\)](#)