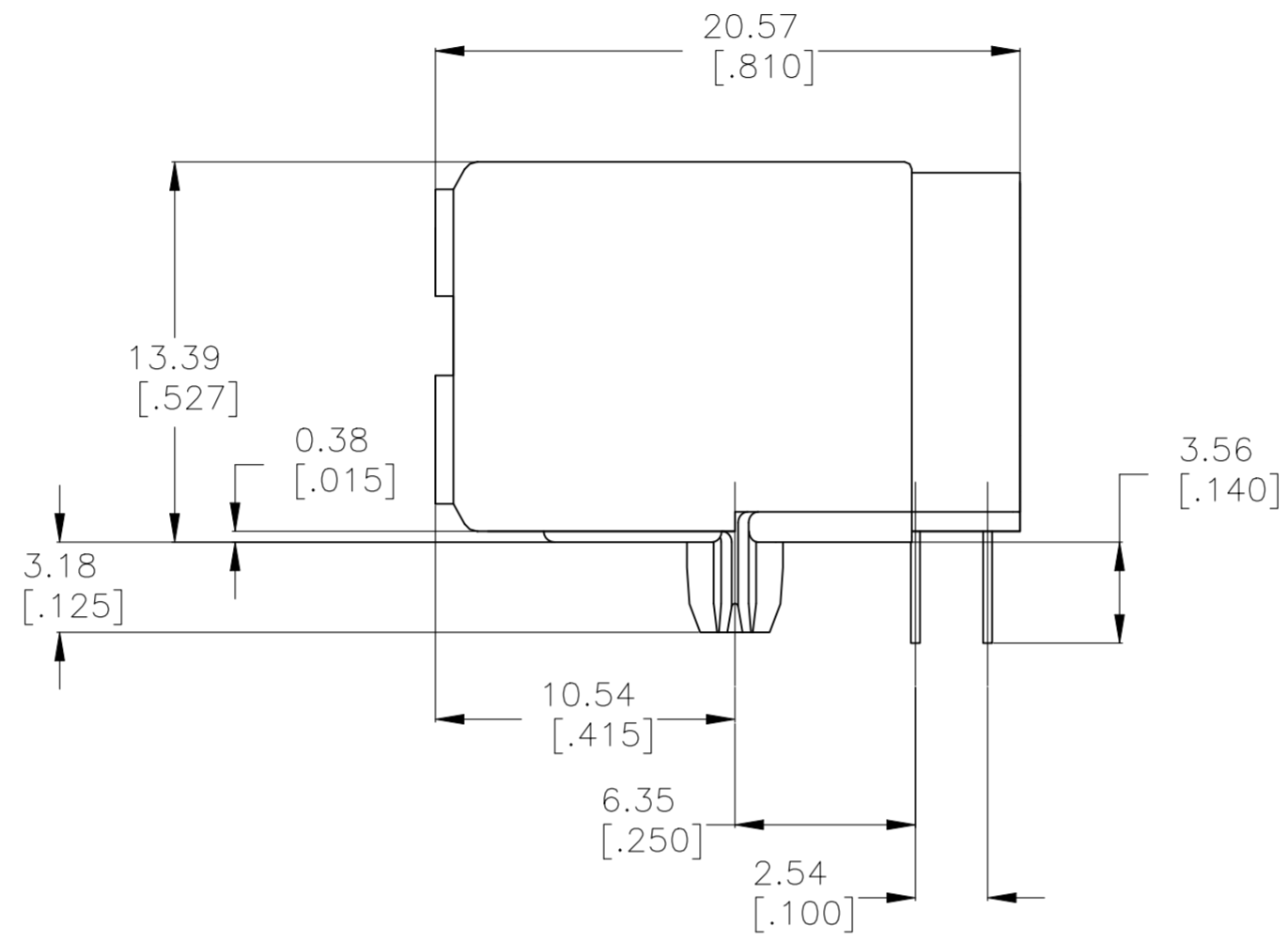
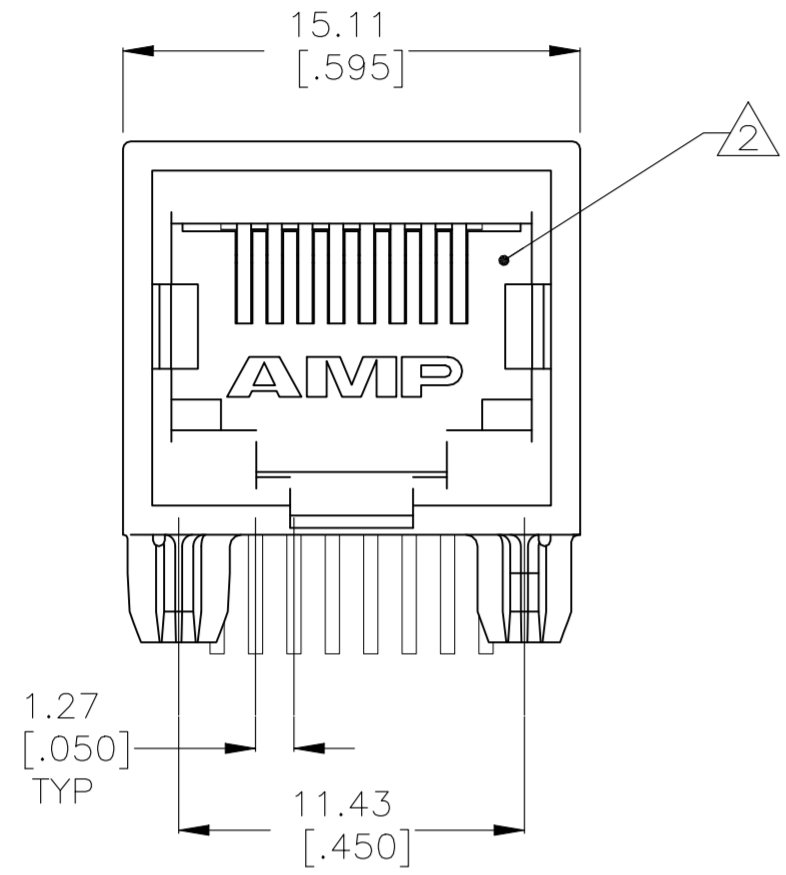
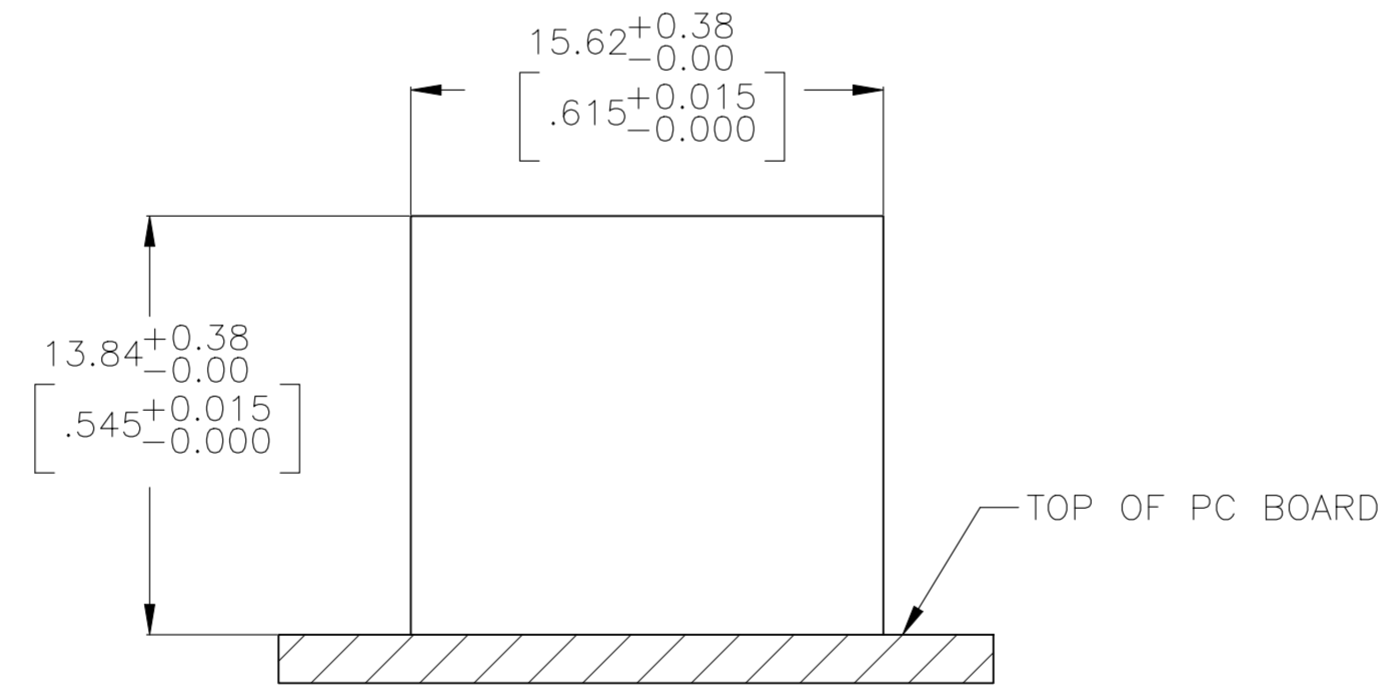
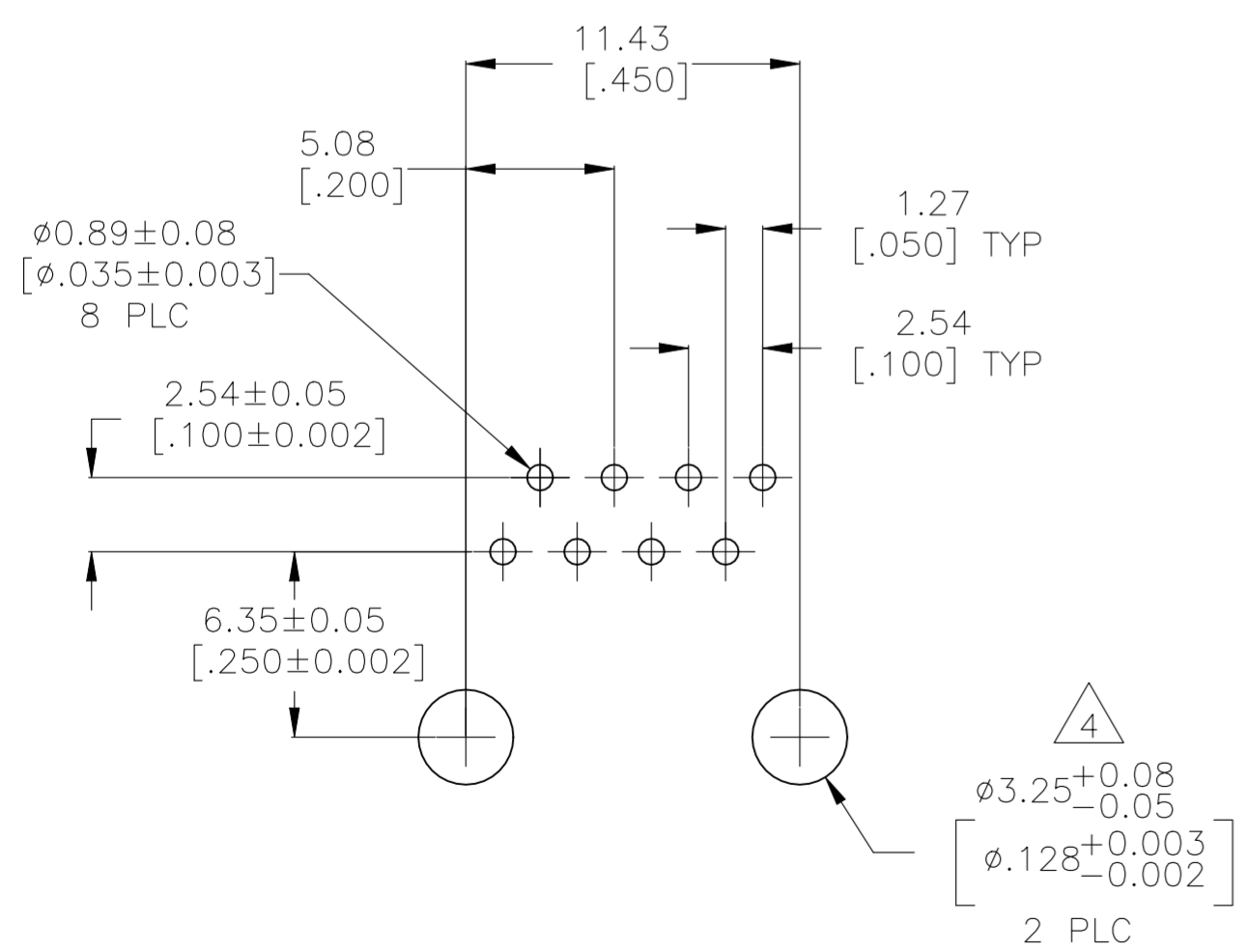


REVISIONS					
P	LTR	DESCRIPTION	DATE	DWN	APVD
B2		ECR-19-014657	13DEC2020	RR	SZ

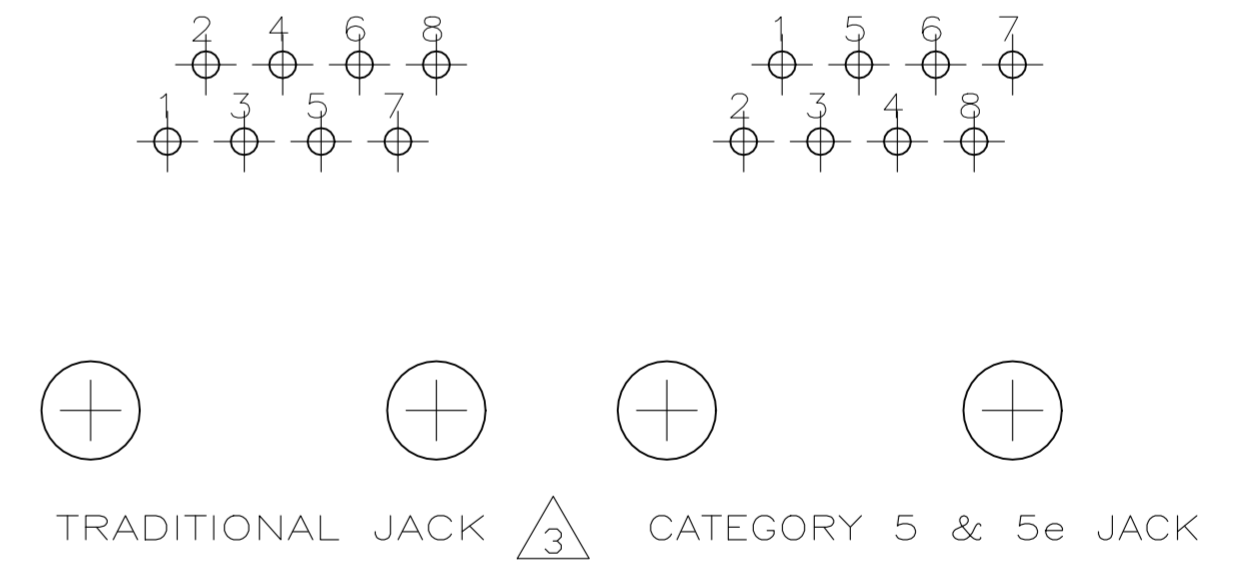


- MATERIAL: HOUSING-HIGH TEMPERATURE NYLON, BLACK, IR COMPATIBLE, UL 94V-0
TERMINALS - 0.33[.013] THICK PHOS BRONZE PLATED WITH 1.27μm[.000050] MINIMUM THICK HARD GOLD IN LOCALIZED AREA AND 3.81μm [.000150] MINIMUM THICK MATTE TIN IN SOLDER AREA OVER 1.27μm[.000050] MINIMUM THICK NICKEL UNDERPLATE.

- ⚠ JACK CAVITY CONFORMS TO FCC RULES AND REGULATIONS, PART 68 SUBPART F.
- ⚠ CAUTION: CATEGORY 5 JACK SOLDER TAIL POSITIONS DO NOT FOLLOW SAME NUMBER SEQUENCE AS THAT OF TRADITIONAL JACKS.
- ⚠ USE #30 DRILL BIT OR 3.25mm DRILL BIT WHEN PRODUCING THESE PCB HOLES.



SUGGESTED PANEL CUTOUT



SUGGESTED PC BOARD LAYOUT COMPONENT SIDE

THIS DRAWING IS A CONTROLLED DOCUMENT.		DWN T. PITTS/LA.MAYER 01JUNE2005			5558341-1 PART NO.		
DIMENSIONS: mm		CHK J.WESTMAN 01JUNE2005			TE Connectivity		MODULAR JACK ASSEMBLY, 8 POSITION, RIGHT ANGLE, LOW PROFILE, CATEGORY 5e
TOLERANCES UNLESS OTHERWISE SPECIFIED:		APVD S.FLICKINGER 01JUNE2005	NAME		RESTRICTED TO		
0 PLC ± - 1 PLC ± - 2 PLC ± 0.25[.010] 3 PLC ± - 4 PLC ± - ANGLES ± -		PRODUCT SPEC 108-1163	DRAWING NO		SCALE 2:1 SHEET 1 OF 1 REV B2		
MATERIAL SEE NOTE 1		FINISH SEE NOTE 1	WEIGHT 0.000000		CUSTOMER DRAWING		
		SIZE A2		CAGE CODE 00779		DRAWING NO C=5558341	

单击下面可查看定价，库存，交付和生命周期等信息

[>>TE Connectivity\(泰科\)](#)