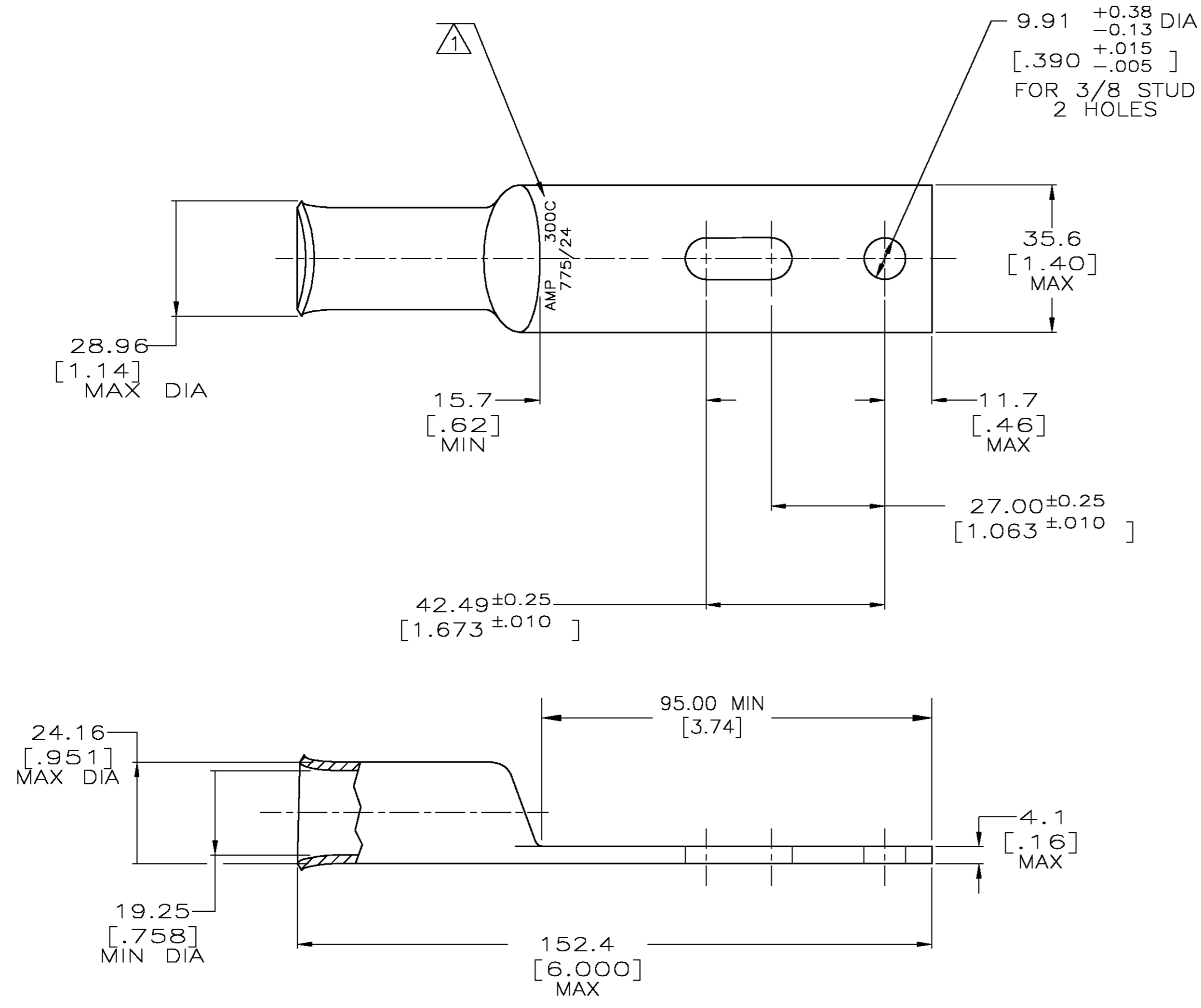


THIS DRAWING IS UNPUBLISHED. RELEASED FOR PUBLICATION
 © COPYRIGHT BY TYCO ELECTRONICS CORPORATION. ALL RIGHTS RESERVED.

LOC	DIST	REVISIONS					
G	86	P	LTR	DESCRIPTION	DATE	DWN	APVD
		A		REL PER 0G3A-0096-03	19FEB03	JR	MS



- 1 STAMP AMP 300C 775/24 APPROX AS SHOWN.
- 2 CIRCULAR MIL RANGE: 275-325 MCM.
- 3 MATERIAL: ANNEALED COPPER ASTM B-188.
- 4 FINISH: 0.00381 $\begin{bmatrix} .000150 \end{bmatrix}$ MIN TIN PLATE PER ASTM B-545.

696475

696475-1
 PART NUMBER

THIS DRAWING IS A CONTROLLED DOCUMENT.		DWN MICHAEL S. FEHER 21NOV2002	Tyco Electronics Corporation Harrisburg, PA 17105-3608																						
DIMENSIONS: mm [INCHES]		CHK MICHAEL SPICER 21NOV2002																							
TOLERANCES UNLESS OTHERWISE SPECIFIED:		APVD MICHAEL SPICER 21NOV2002	NAME TERMINAL, AMPPOWER, WIRE SIZE: 300 MCM																						
<table border="0"> <tr><td>0 PLC</td><td>±</td><td>-</td></tr> <tr><td>1 PLC</td><td>±</td><td>-</td></tr> <tr><td>2 PLC</td><td>±</td><td>0.51 [.020]</td></tr> <tr><td>3 PLC</td><td>±</td><td>-</td></tr> <tr><td>4 PLC</td><td>±</td><td>-</td></tr> <tr><td>ANGLES</td><td>±</td><td>-</td></tr> <tr><td>FINISH</td><td>-</td><td>4</td></tr> </table>		0 PLC	±	-	1 PLC	±	-	2 PLC	±	0.51 [.020]	3 PLC	±	-	4 PLC	±	-	ANGLES	±	-	FINISH	-	4	PRODUCT SPEC 108-30200	RESTRICTED TO	
0 PLC	±	-																							
1 PLC	±	-																							
2 PLC	±	0.51 [.020]																							
3 PLC	±	-																							
4 PLC	±	-																							
ANGLES	±	-																							
FINISH	-	4																							
MATERIAL		APPLICATION SPEC	SIZE A2	CAGE CODE 00779																					
- 3		WEIGHT .350 LBS	DRAWING NO C=696475																						
- 4		CUSTOMER DRAWING		SCALE 1:1																					
		SHEET 1 OF 1		REV A																					

单击下面可查看定价，库存，交付和生命周期等信息

[>>TE Connectivity\(泰科\)](#)