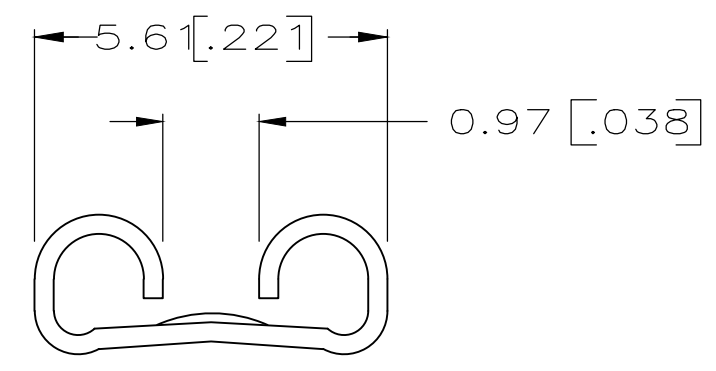
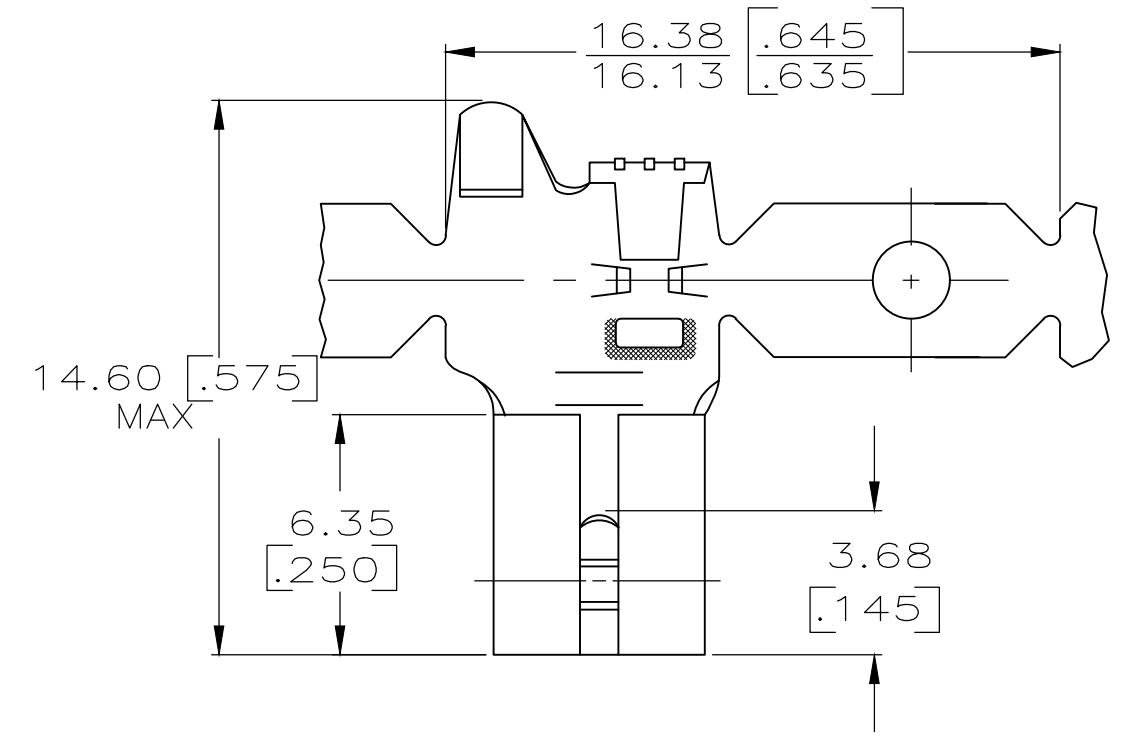
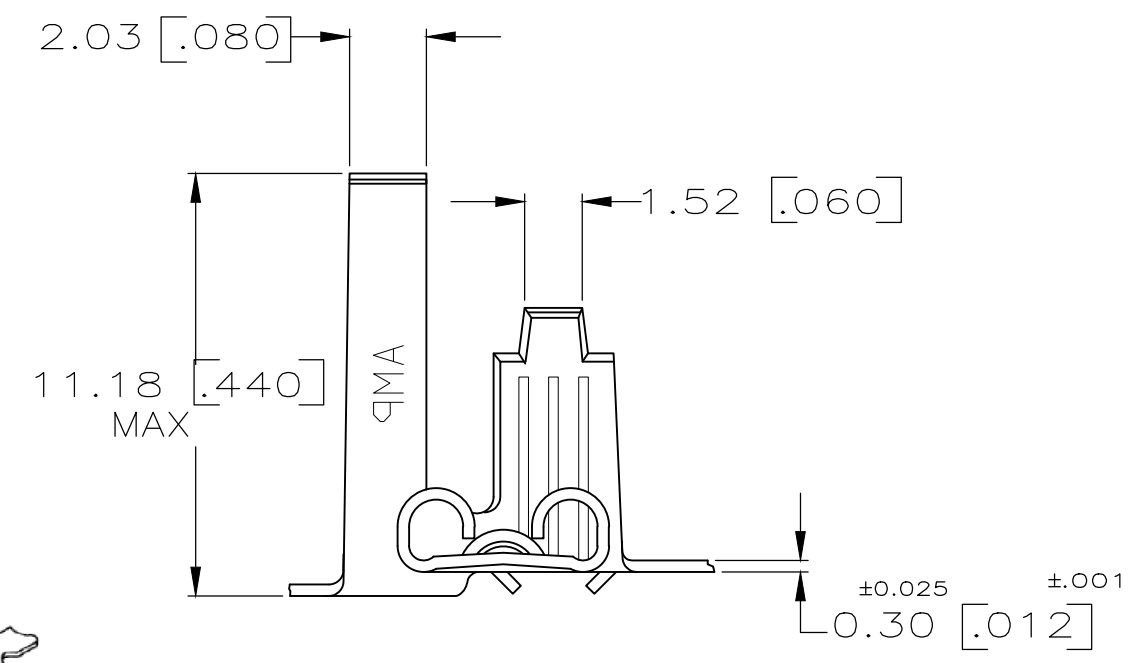


THIS DRAWING IS UNPUBLISHED. RELEASED FOR PUBLICATION
 © COPYRIGHT - By - ALL RIGHTS RESERVED.

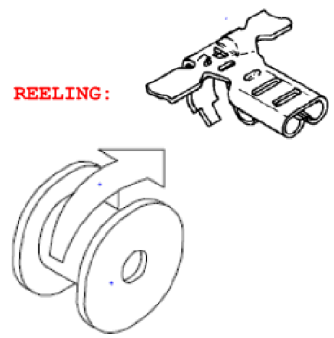
REVISIONS				
P	LTR	DESCRIPTION	DATE	APVD
	R	REVISED PER ECO-19-013963	17SEP2019	RS DH



VIEW A-A



0.002032 [.000080] MIN TIN	△ 62817-2
-	62817-1
FINISH	PART NO.



THIS DRAWING IS A CONTROLLED DOCUMENT.		DWN JR RUTH 5/19/87	STE TE Connectivity	
DIMENSIONS: mm [INCHES]		CHK G YETTER 7/9/87		
TOLERANCES UNLESS OTHERWISE SPECIFIED:		APVD R KUZO 7/9/87	NAME RECEPTACLE, FASTON, FLAG, .187 SERIES	
0 PLC ± -		PRODUCT SPEC -	APPLICATION SPEC -	
1 PLC ± -		WEIGHT 0.000000	SIZE A3	CAGE CODE 00779
2 PLC ± -		FINISH SEE TABLE	DRAWING NO C-62817	RESTRICTED TO -
3 PLC ± 0.38 [.015]			CUSTOMER DRAWING	SCALE 5:1
4 PLC ± -		REV R		
ANGLES ± -				

单击下面可查看定价，库存，交付和生命周期等信息

[>>TE Connectivity\(泰科\)](#)