

4

3

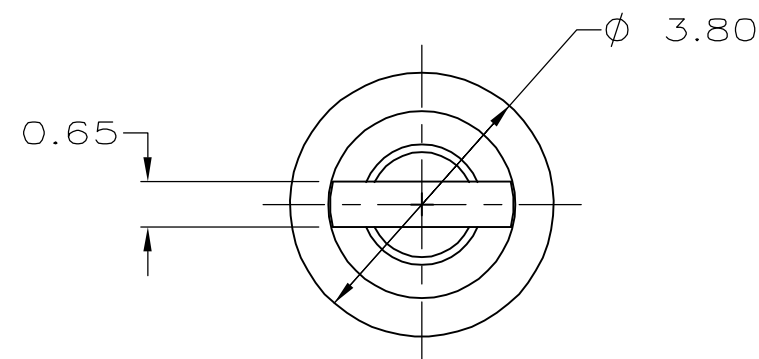
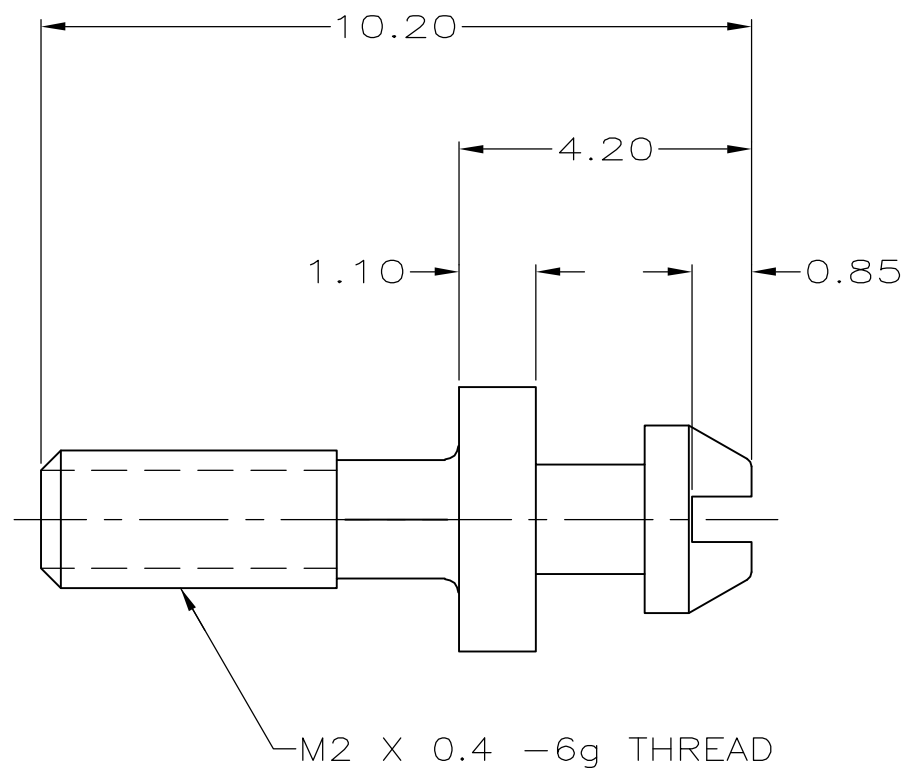
2

1

THIS DRAWING IS UNPUBLISHED. RELEASED FOR PUBLICATION -,- .
 © COPYRIGHT - BY TYCO ELECTRONICS CORPORATION. ALL RIGHTS RESERVED.

LOC	DIST	REVISIONS					
GP	00	P	LTR	DESCRIPTION	DATE	DWN	APVD
			B	REVISED PER ECO-06-000326	17APR06	BM	SS

△ 1 MATERIAL:
 STAINLESS STEEL PER TYCO 100-222-1
 (UNS S30300). COLD FINISHED.



	200	787003-3
OBSOLETE	2	787003-2
	QTY	PART NUMBER

THIS DRAWING IS A CONTROLLED DOCUMENT.		DWN	S.G.SMITH	08/20/93	Tyco Electronics Corporation Harrisburg, PA 17105-3608				
DIMENSIONS:		CHK	J.J.CONSOLO	08/20/93					
mm	TOLERANCES UNLESS OTHERWISE SPECIFIED:	APVD	-	-	NAME				
	0 PLC ± - 1 PLC ± - 2 PLC ± 0.13 3 PLC ± - 4 PLC ± - ANGLES ± -	PRODUCT SPEC	108-1471	LATCHING POST, BOARDMOUNT, 0.8mm CHAMP					
MATERIAL	△ 1	FINISH	-	APPLICATION SPEC	-	SIZE	CAGE CODE	DRAWING NO	RESTRICTED TO
				WEIGHT	-	A3	00779	C=787003	-
CUSTOMER DRAWING					SCALE	10:1	SHEET	1 OF 1	REV
									B

单击下面可查看定价，库存，交付和生命周期等信息

[>>TE Connectivity\(泰科\)](#)