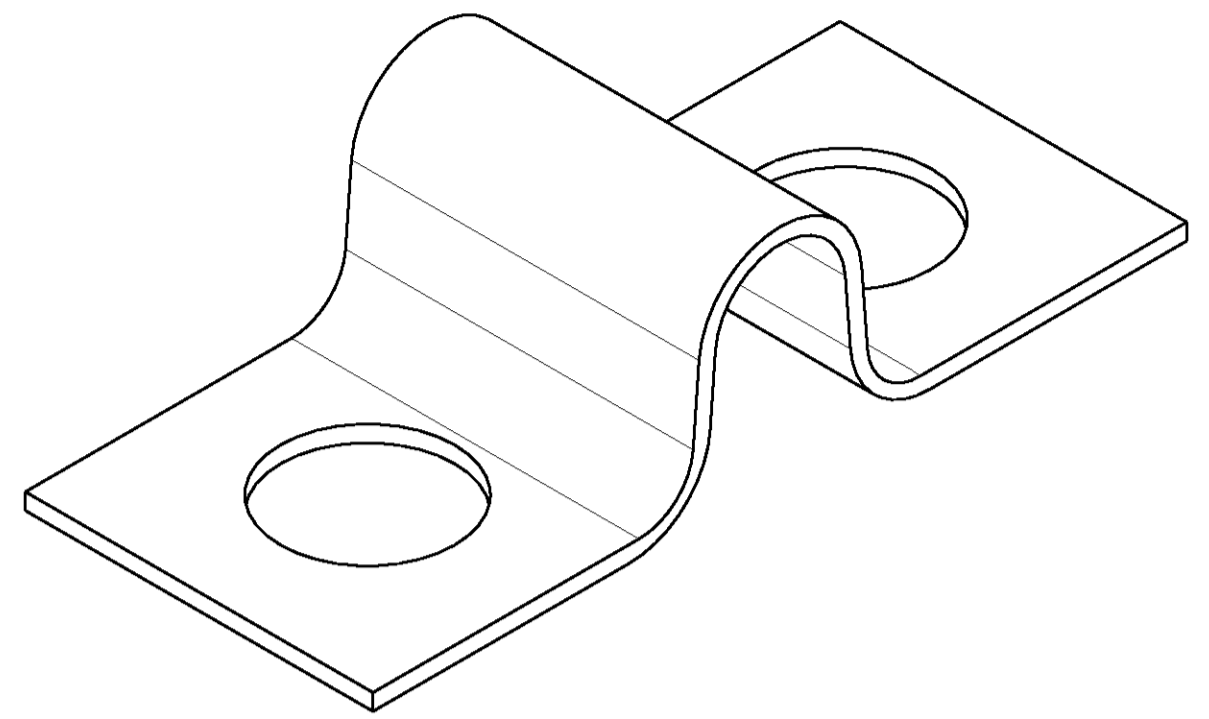
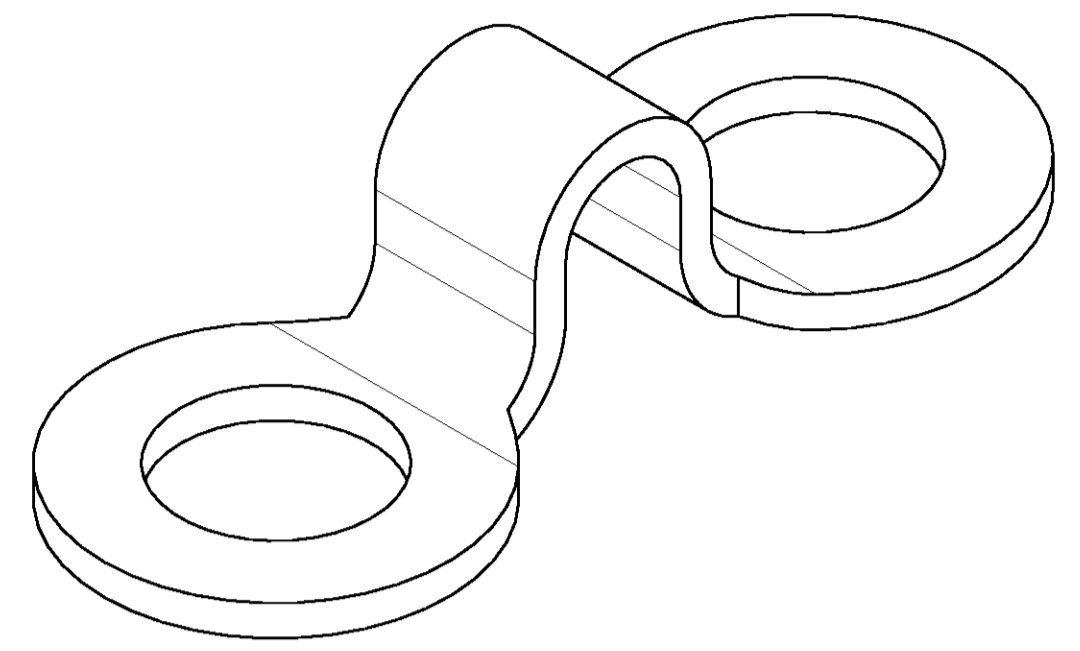
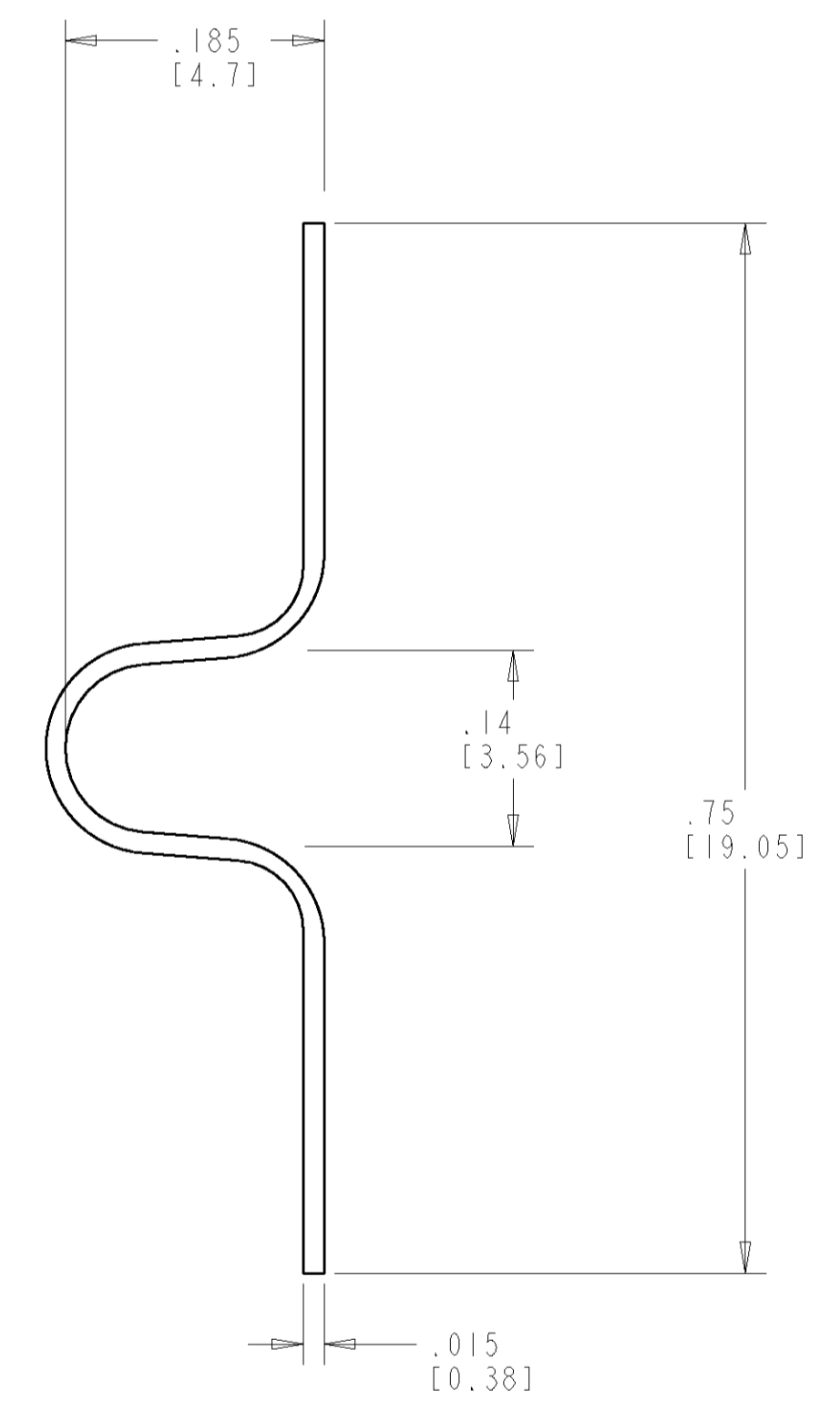
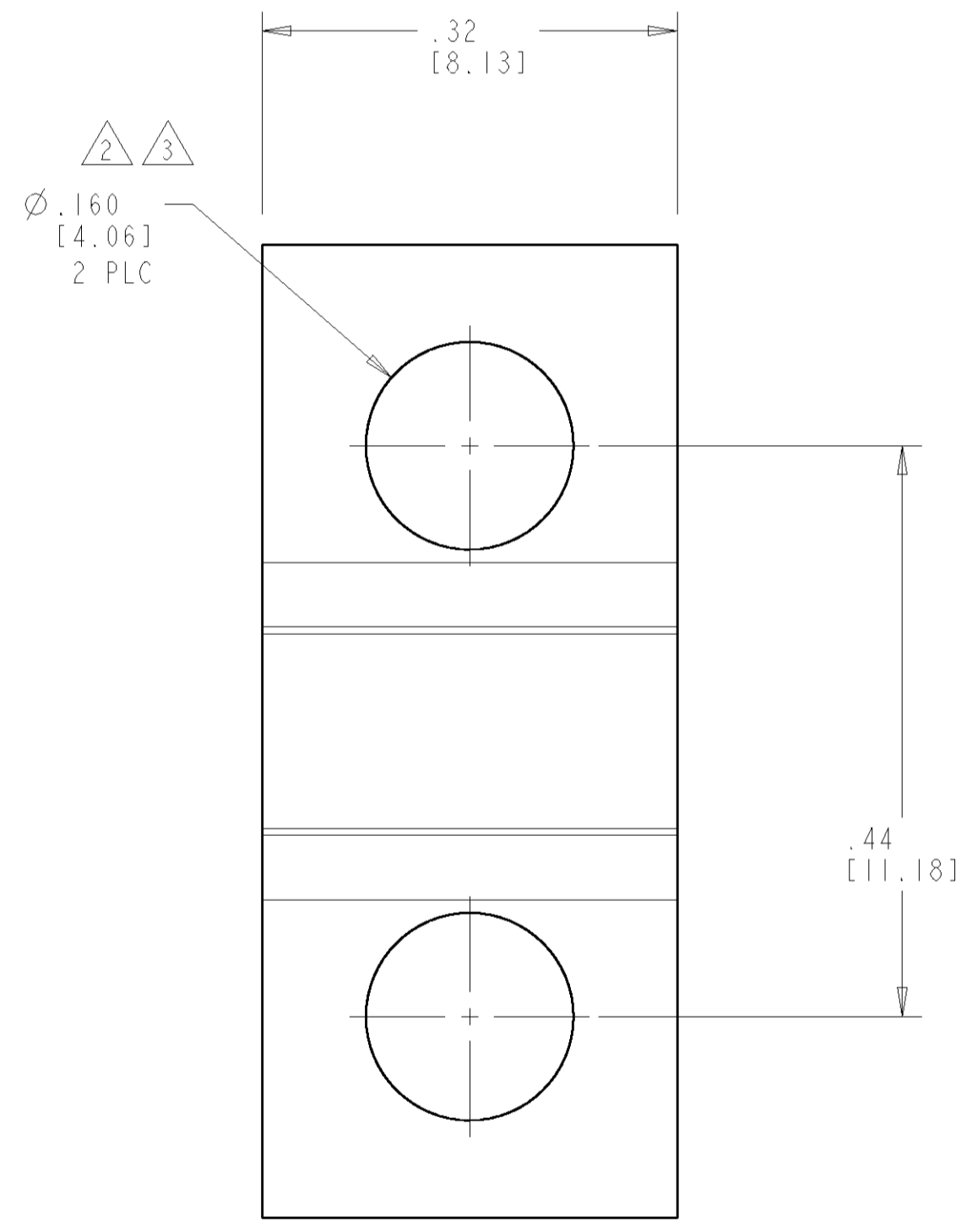
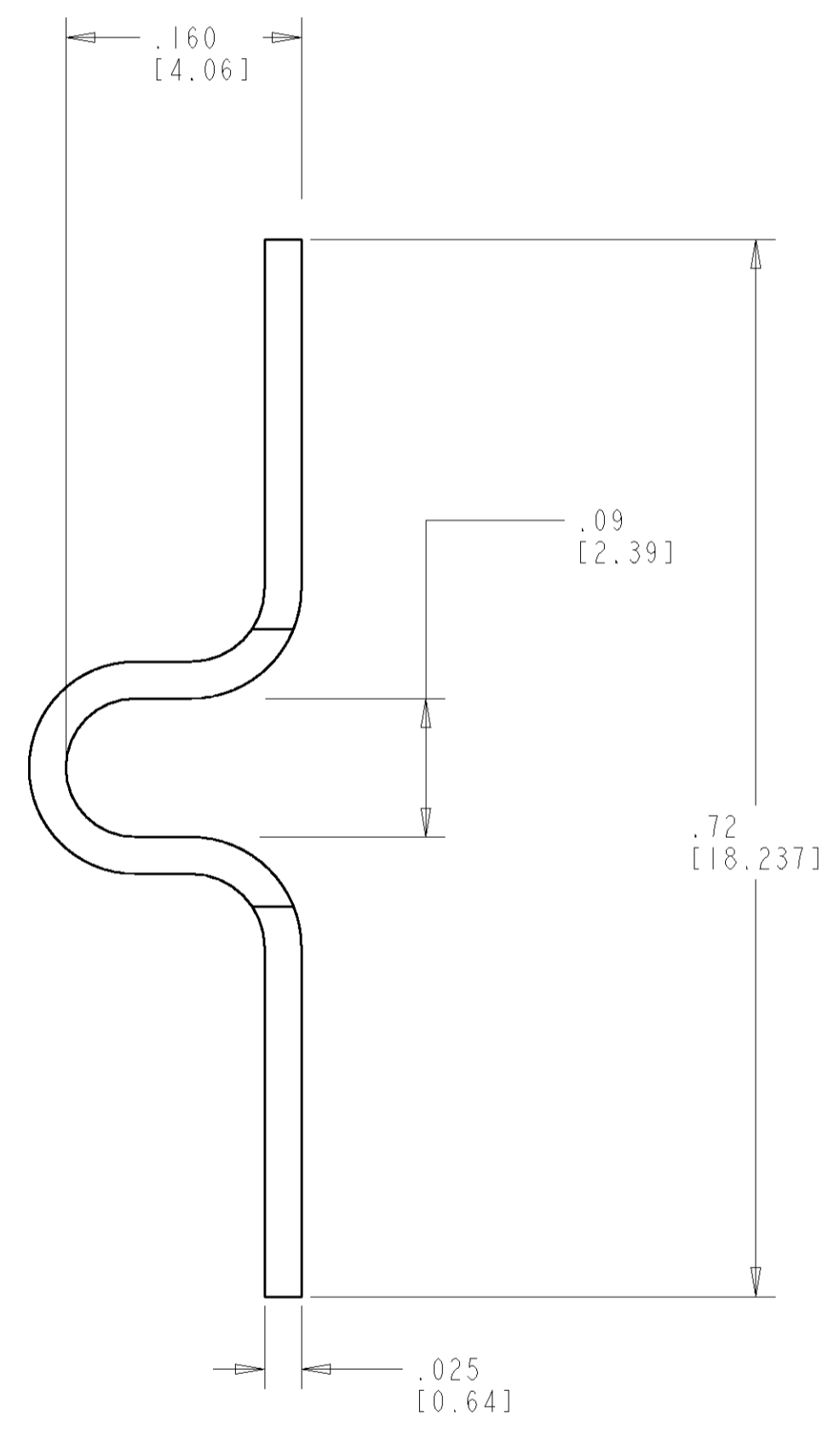
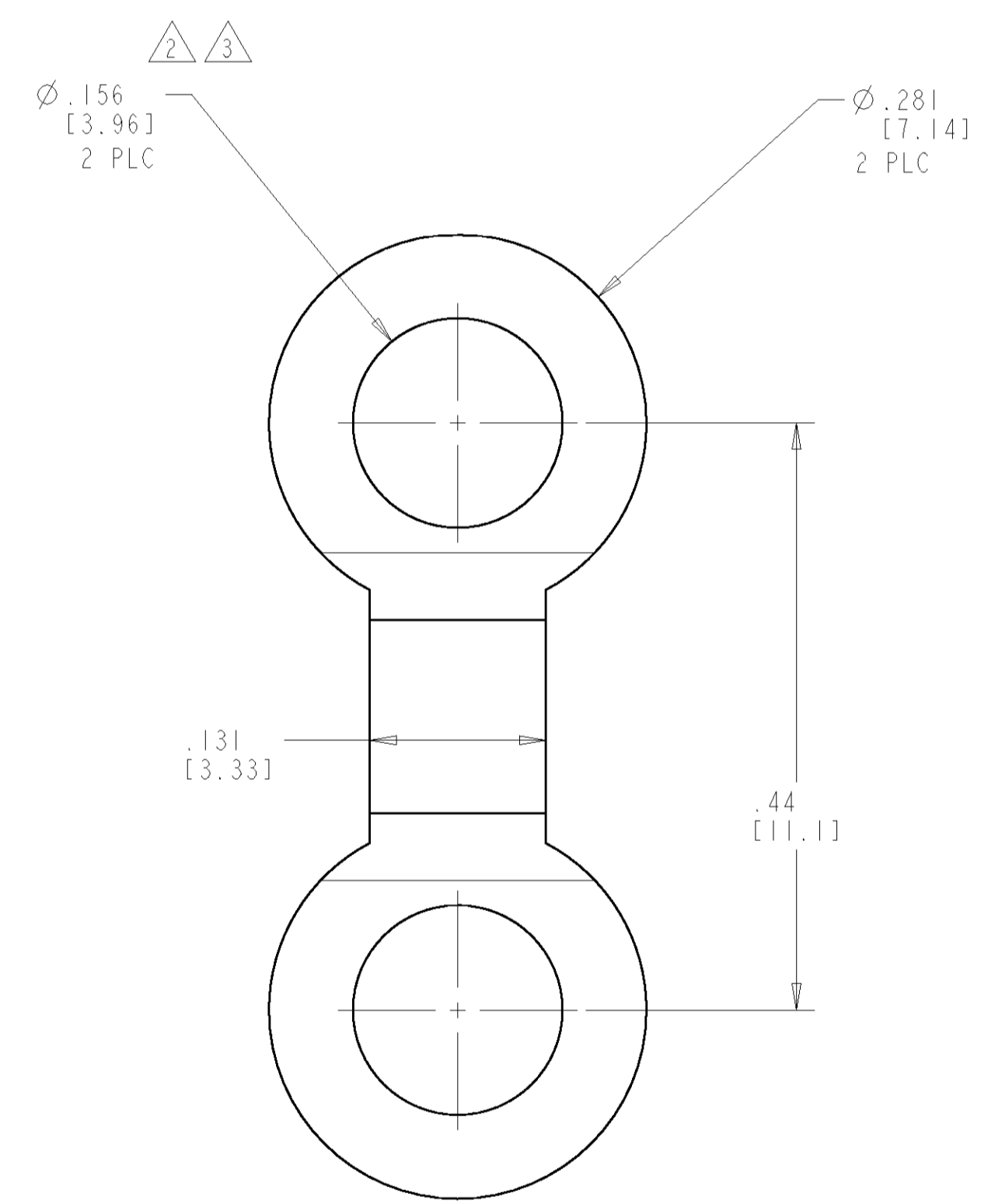


LOC		DIST		REVISIONS			
P	LTB	DESCRIPTION	DATE	DWN	APVD		
A1		REVISED PER ECO-11-005294	30APR11	RK	HMR		



- 1 MATERIAL: NICKEL OVER BRASS.
- 2 #6 STUD SIZE.
- 3 COMMONING TAB FOR 2 ADJACENT CIRCUIT POSITIONS.



ALTERNATE DESIGN

601985-2
PART NO.

DIMENSIONS:		TOLERANCES UNLESS OTHERWISE SPECIFIED:		DWN T. PITTS 22MAR02		EGR L. SMITH 22MAR02		APVD M. DELPHIAS 22MAR02		NAME		STE TE Connectivity	
MM [INCHES]		0 PLC ±	1 PLC ±	2 PLC ±	3 PLC ±	4 PLC ±	ANGLES ±	PRODUCT SPEC		APPLICATION SPEC		SIZE	CAGE CODE
MATERIAL		FINISH		WEIGHT		CUSTOMER DRAWING		A1 00779		C=601985		SCALE	SHEET
												8:1	OF
												REV	A1

单击下面可查看定价，库存，交付和生命周期等信息

[>>TE Connectivity\(泰科\)](#)