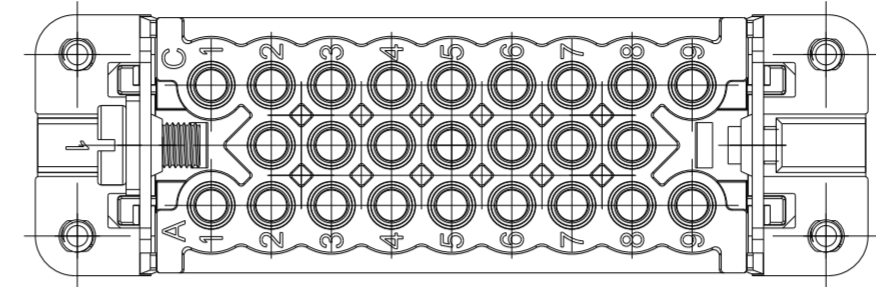
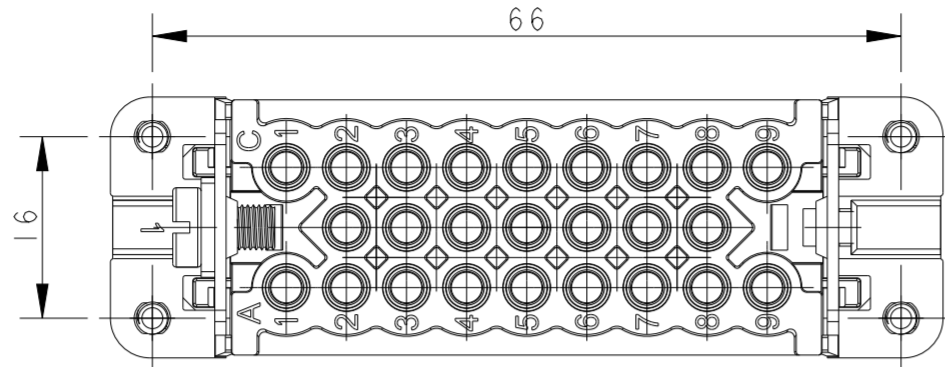
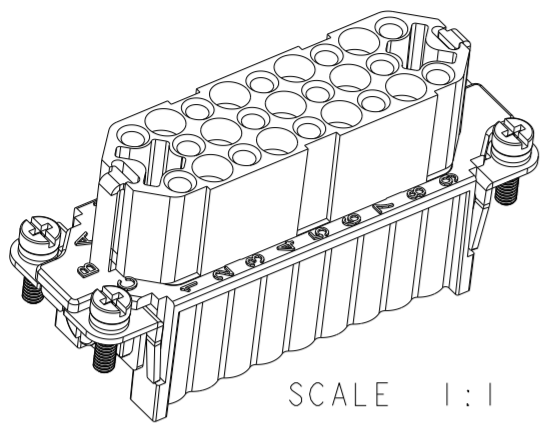


THIS DRAWING IS UNPUBLISHED. RELEASED FOR PUBLICATION 20
 © COPYRIGHT 20 BY - ALL RIGHTS RESERVED.

REVISIONS					
P	LTR	DESCRIPTION	DATE	DWN	APVD
B		ECR-15-013292	24SEP2015	DL	CW
B1		ECR-16-011552	11AUG2016	QY	CW
B2		ECR-17-004602	01APR2017	CH	CW
C		ECR-21-105750	30JUN2021	BS	CW

TYPT-1 / 类型-1

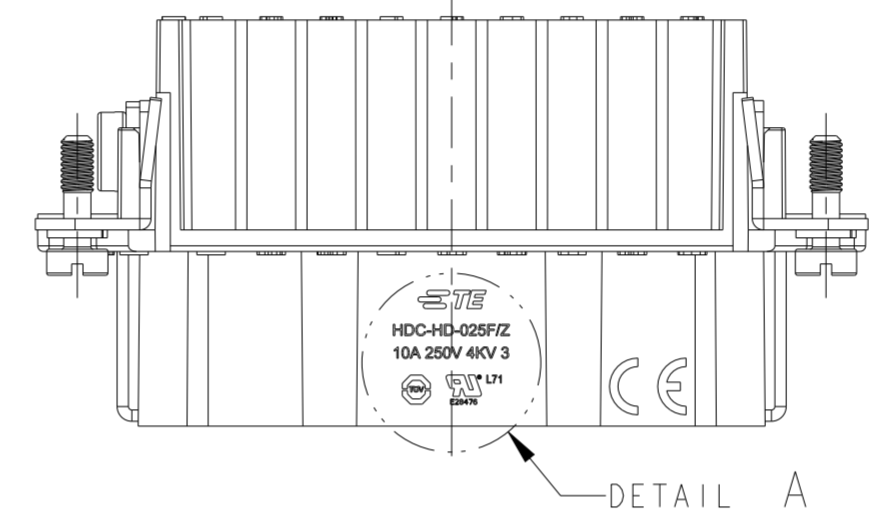
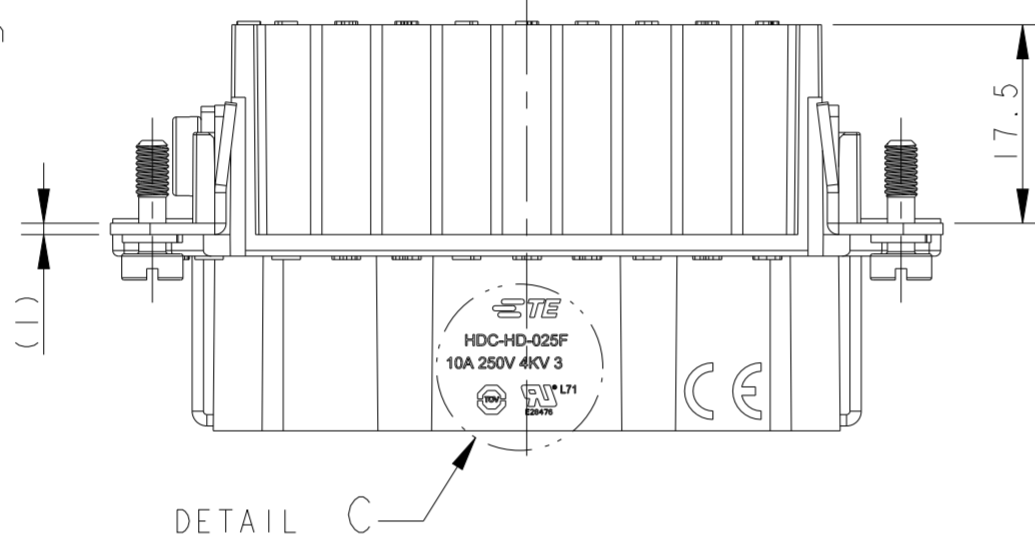
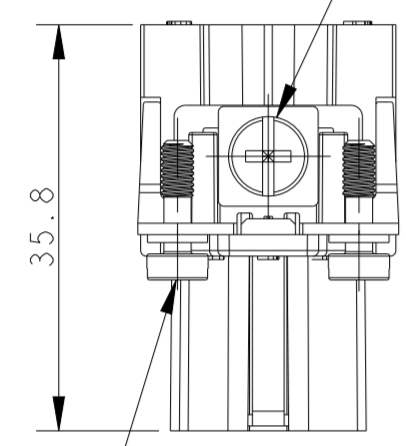
TYPT-2 / 类型-2



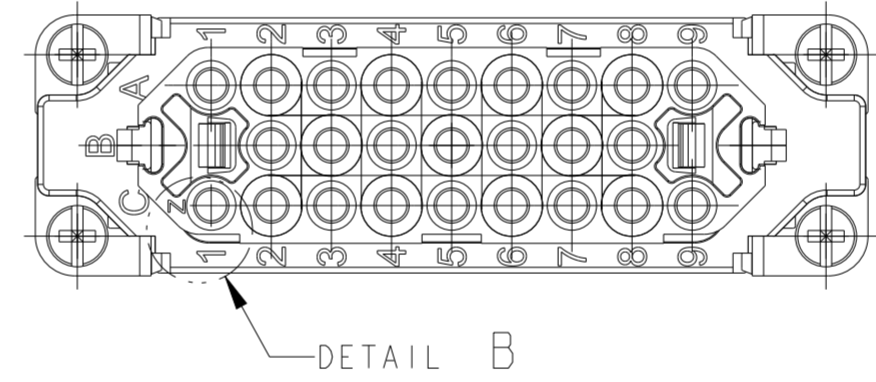
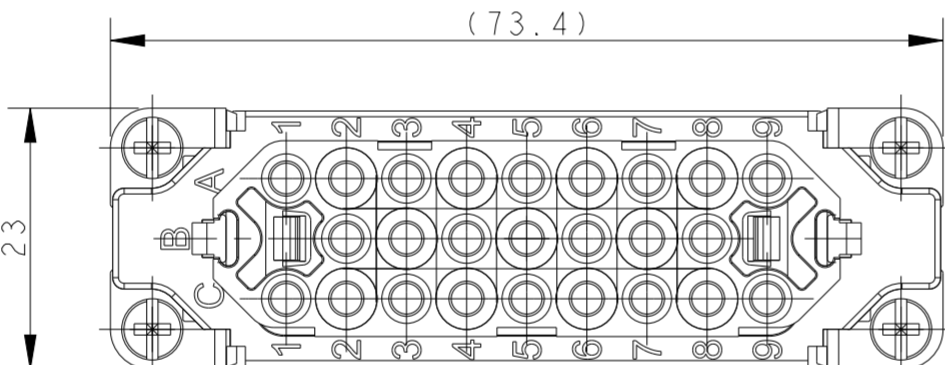
NOTES:
 1. TECHNICAL CHARACTERISTICS:
 INSULATION MATERIAL: PC
 RATED VOLTAGE: 250 V
 RATED CURRENT: 10 A
 INSULATION RESISTANCE: >=400MΩ
 RATED IMPULSE VOLTAGE: 4 KV
 POLLUTION DEGREE: 3
 FLAMMABILITY: UL94V-0
 MATING CYCLES: 500 CYCLES
 WIRE RANGE: 0.14-2.5 mm² (26-14 AWG)
 CONTACT TYPE: CRIMP CONTACT
 2. CONTACT NEED TO BE ORDERED SEPARATELY.
 (ORDER No. REFER TO DRAWING:T20200X20XX000)

注释:
 1. 技术参数:
 绝缘材料: PC
 额定电压: 250V
 额定电流: 10A
 绝缘电阻: >=400MΩ
 额定脉冲电压: 4 KV
 污染等级: 3
 阻燃等级: UL94V-0
 插拔次数: 500次
 接线范围: 0.14-2.5 mm² (26-14 AWG)
 接线类型: 冷压接
 2. 端子需要单独订购。
 (订货号参考图面: T20200X20XX000)

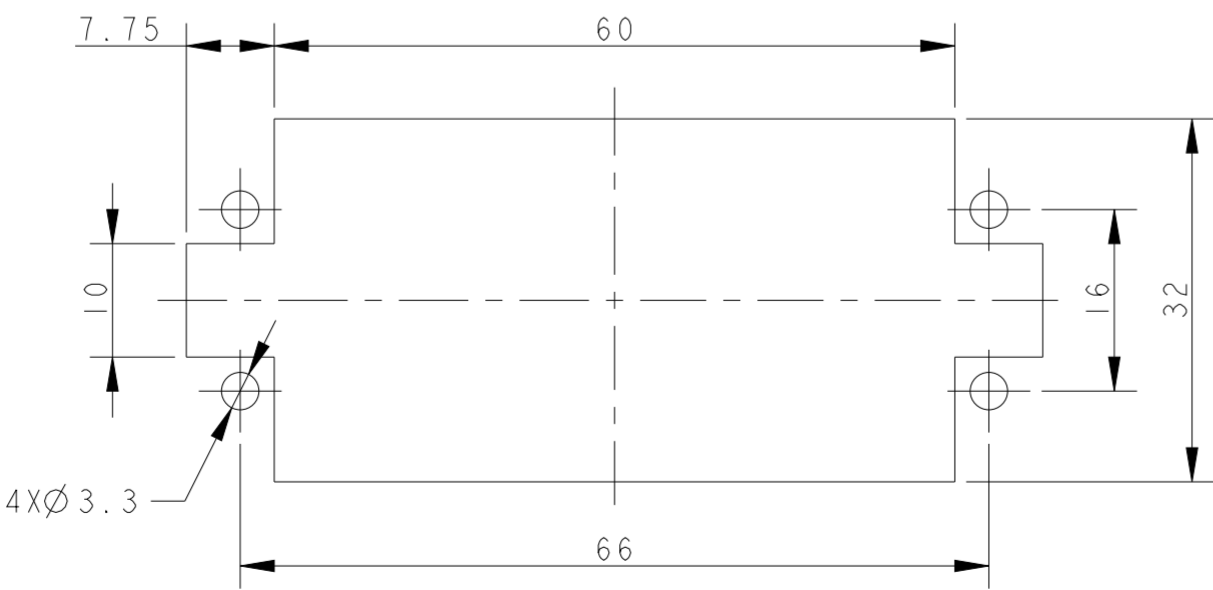
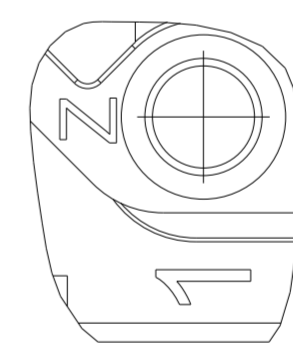
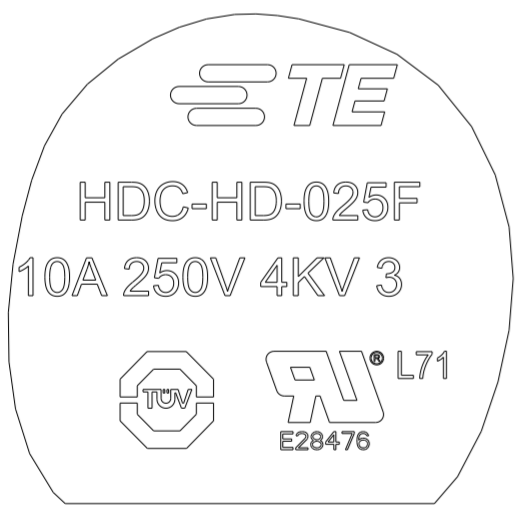
M4 SCREW
 RECOMMENDED
 TIGHTENING
 TORQUE 1.2Nm
 M4螺丝
 推荐锁紧力矩 1.2Nm



4X M3 SCREW
 RECOMMENDED
 TIGHTENING
 TORQUE 0.5Nm
 4X M3螺丝
 推荐锁紧力矩 0.5Nm



NOTE: TYPE-2 ALL THE DIMENSIONS ARE THE SAME WITH TYPE-1 EXCEPT THE LASER PRINT MARKINGS
 提示: 类型-2的所有尺寸与类型-1一致,除了激光打标不一样,详见视图



PANEL CUT OUT FOR INSERTS FOR USE WITHOUT HOODS/HOUSINGS
 不使用防护外壳时元件的安装开孔图

T2020252201-Z00	HD-025-F/Z	HD-025 FEMALE INSERT(Z) HD-025母插(Z)	TYPE-2 类型-2
T2020252201-000	HD-025-F	HD-025 FEMALE INSERT HD-025母插	TYPE-1 类型-1
PART NUMBER 料号	PART DESCRIPTION 描述		TYPE 类型

THIS DRAWING IS A CONTROLLED DOCUMENT.		DWN DAVID LI 16 JUL 2015	TE Connectivity	
DIMENSIONS: mm		CHK CHRIS WANG 16 JUL 2015		
TOLERANCES UNLESS OTHERWISE SPECIFIED:		APVD XU XIANG 16 JUL 2015	NAME HD-025-F	
0 PLC ±		PRODUCT SPEC 108-137042	SIZE A2	
1 PLC ±		APPLICATION SPEC 114-137042	CAGE CODE -	
2 PLC ±		WEIGHT -	DRAWING NO G-T2020252201000	
3 PLC ±		MATERIAL -	RESTRICTED TO -	
4 PLC ±			SCALE 3:2	
ANGLES ±		SHEET 1 OF 1		
FINISH -		REV C		
-		CUSTOMER DRAWING		

单击下面可查看定价，库存，交付和生命周期等信息

[>>TE Connectivity\(泰科\)](#)