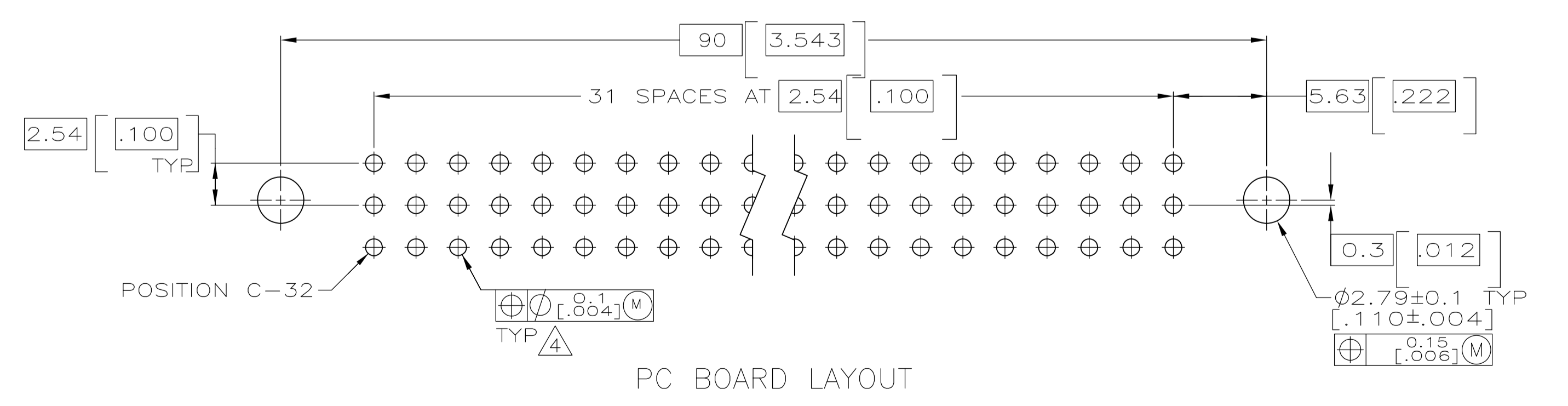
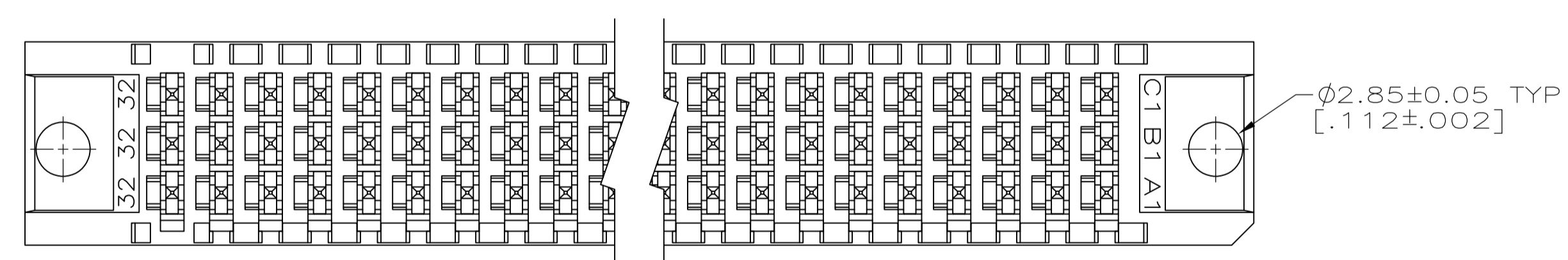
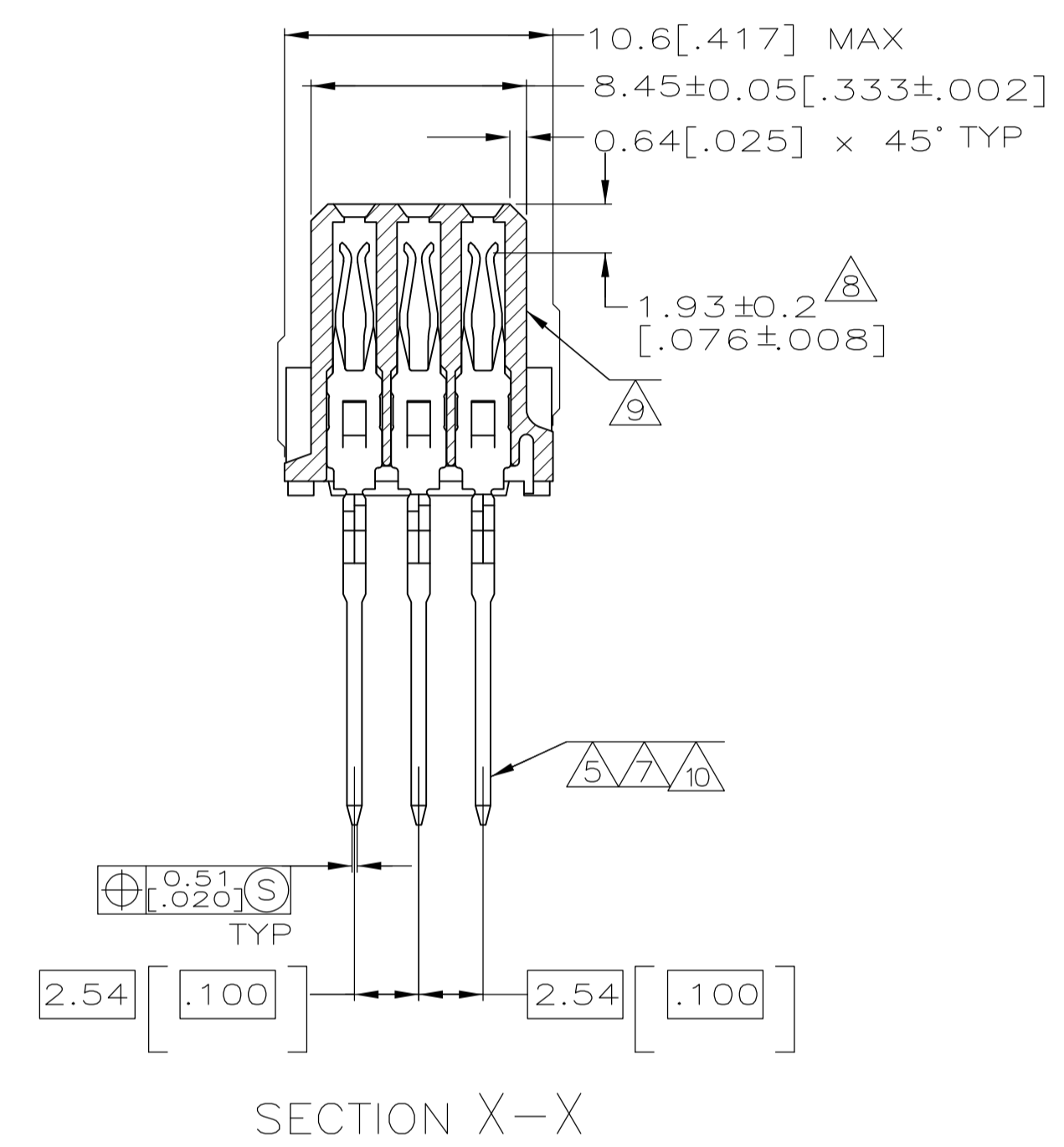
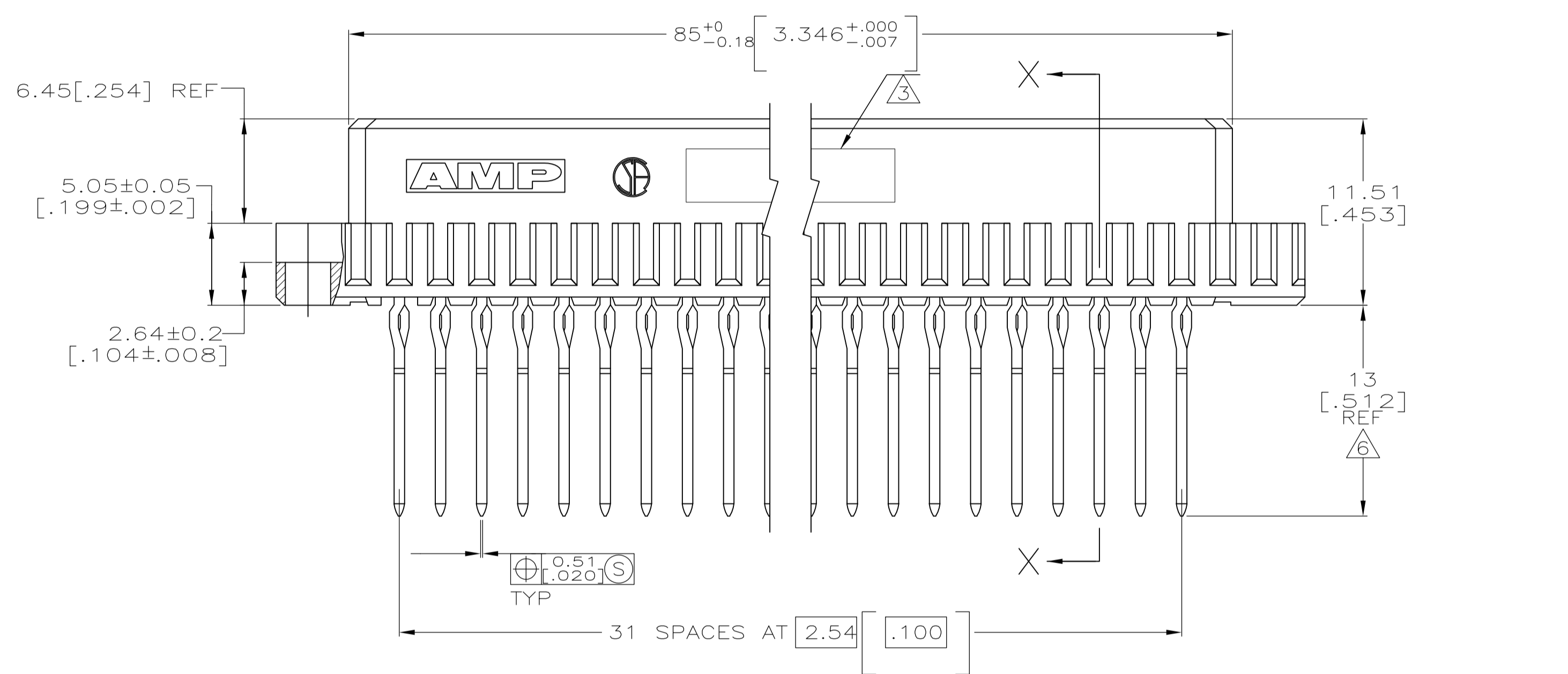
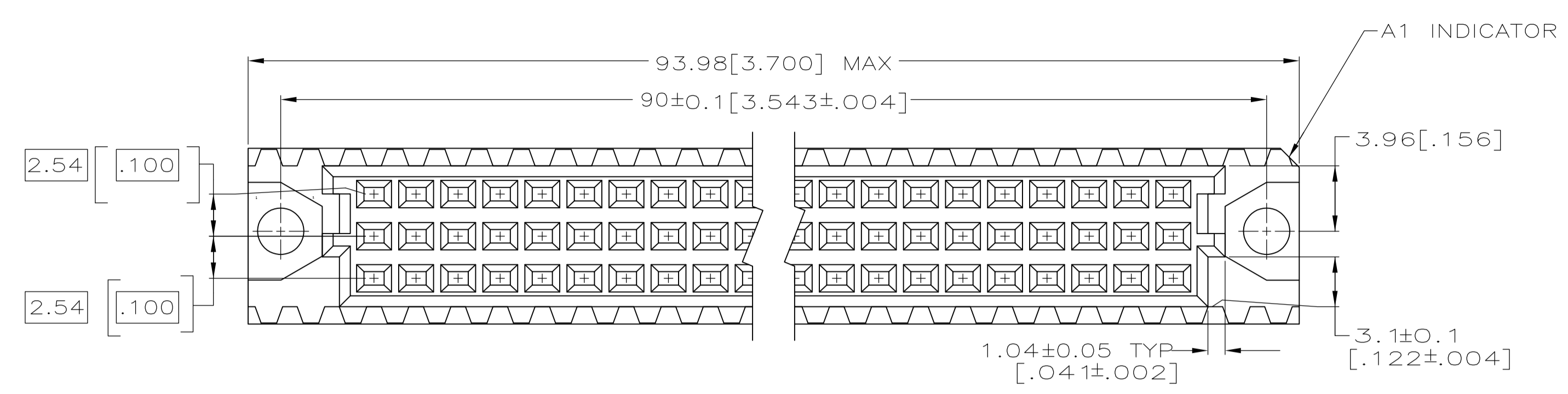


LOC		DIST		REVISIONS			
AD	25	P	LTR	DESCRIPTION	DATE	DWN	APVD
G1				REVISED PER ECO-11-005301	07MAR11	RK	HMR



- 1 HOUSING MATERIAL: GLASS-FILLED POLYESTER. COLOR: GRAY.
- 2 CONTACT MATERIAL: PHOSPHOR BRONZE.
- 3 PART NUMBER AND DATE CODE HOT STAMPED IN THIS APPROXIMATE AREA.
- 4 ACTION PIN POSTS REQUIRE 1.57 [0.062] MINIMUM THICK PC BOARD. RECOMMENDED PC BOARD DRILLED HOLES ARE 1.15 ± 0.025 [0.0453 ± 0.010] DIAMETER WITH 0.02 - 0.08 [0.001 - .003] COPPER AND 0.008 [0.0003] MINIMUM TIN-LEAD PLATING. FINISHED HOLE AFTER PLATING IS 1.02 ± 0.08 [0.040 ± .002] DIAMETER.
- 5 CONTACT FINISH: DIN 41612 CLASS 2 IN CONTACT AREA. TIN-LEAD PLATE ON POSTS.
- 6 TAIL LENGTH AFTER SEATING IN PC BOARD.
- 7 CONTACT FINISH: DIN 41612 CLASS 2 IN CONTACT AREA AND LAST 5.08 [0.200] OF POST.
- 8 CONTACT POINT AFTER SEATED IN PC BOARD.
- 9 HOT STAMPING ON THIS SIDE.
- 10 CONTACT FINISH: 0.00076 [0.00030] GOLD IN CONTACT AREA AND LAST 5.08 [0.200] OF POST. 0.00127 [0.00050] NICKEL UNDERPLATE ALL OVER.

7	1-148057-5
10	1-148057-4
5	148057-5
FINISH	PART NO

THIS DRAWING IS A CONTROLLED DOCUMENT.		DIN		L. BRINER		7/26/94	
DIMENSIONS: mm [INCHES]		TOLERANCES UNLESS OTHERWISE SPECIFIED:		CHK: R. PATTERSON		8/9/94	
0 PLC ± -		1 PLC ± -		APVD: R. PATTERSON		NAME: RECEPTACLE ASSEMBLY, EUROCARD, TYPE C	
2 PLC ± ± 0.13 [0.005]		3 PLC ± ± -		PRODUCT SPEC: -		APPLICATION SPEC: -	
4 PLC ± ± -		ANGLES ± ± -		SIZE: A1		CAGE CODE: 00779	
MATERIAL: HOUSING: △ CONTACTS: △		FINISH: △		WEIGHT: -		DRAWING NO: 148057	
CUSTOMER DRAWING		SCALE: 4:1		SHEET: 1 of 1		REV: G1	

单击下面可查看定价，库存，交付和生命周期等信息

[>>TE Connectivity\(泰科\)](#)