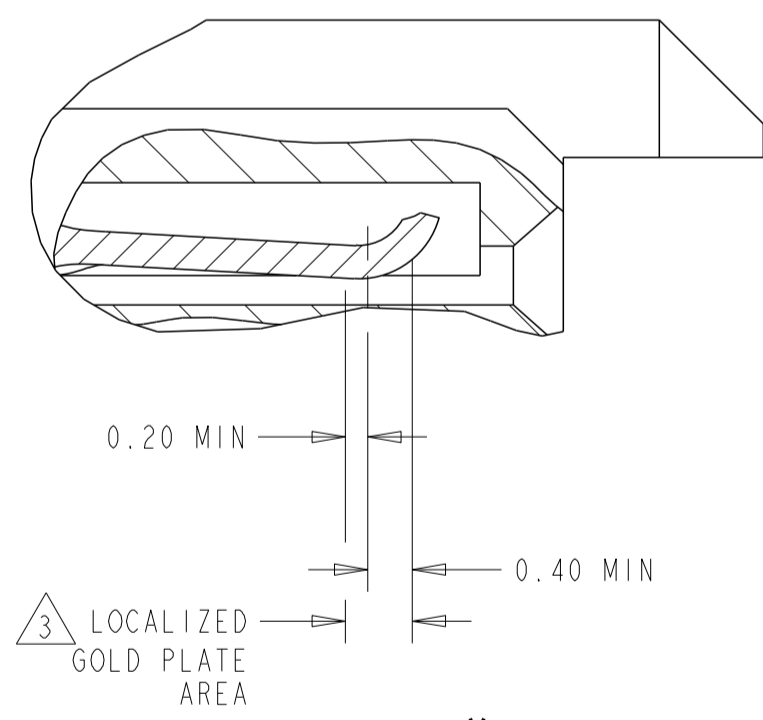
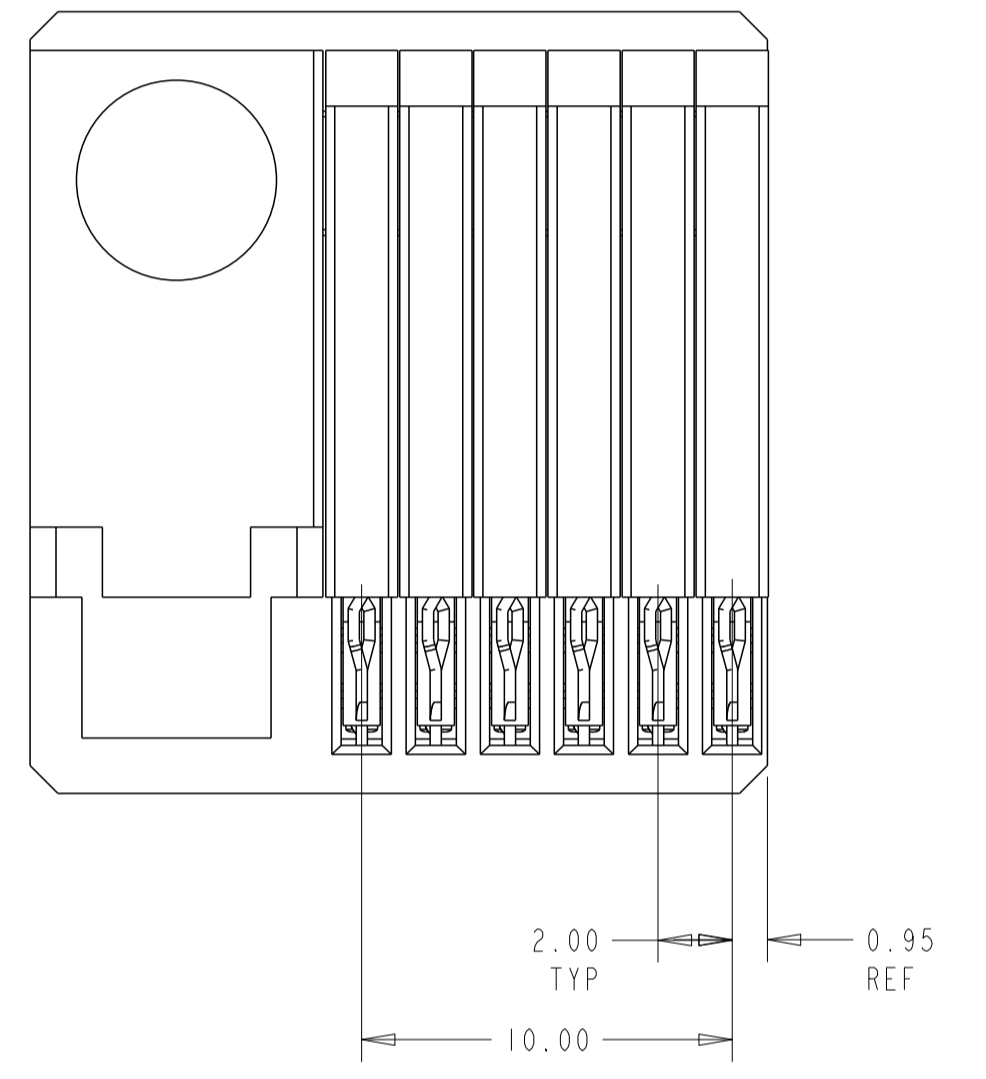
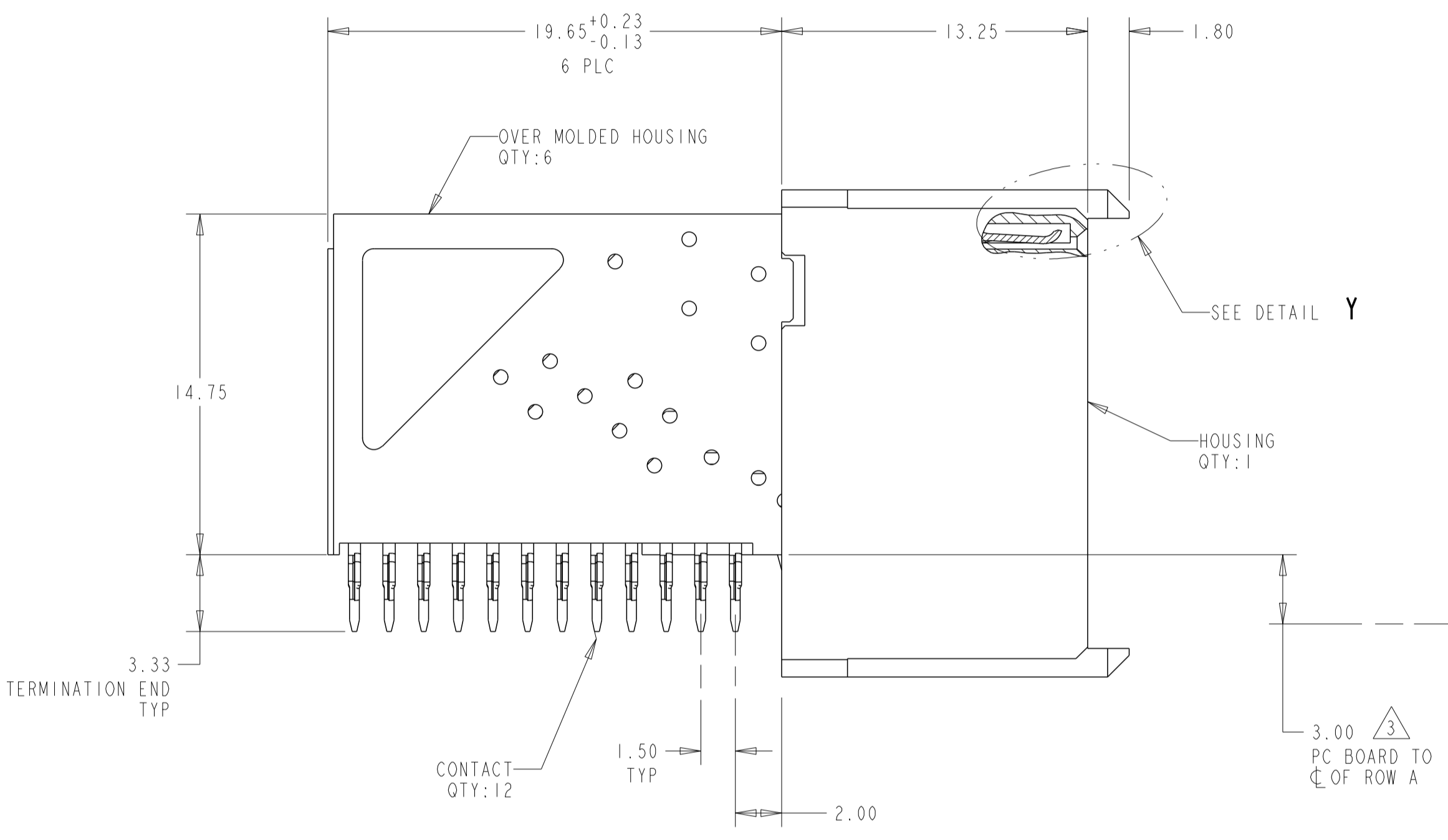
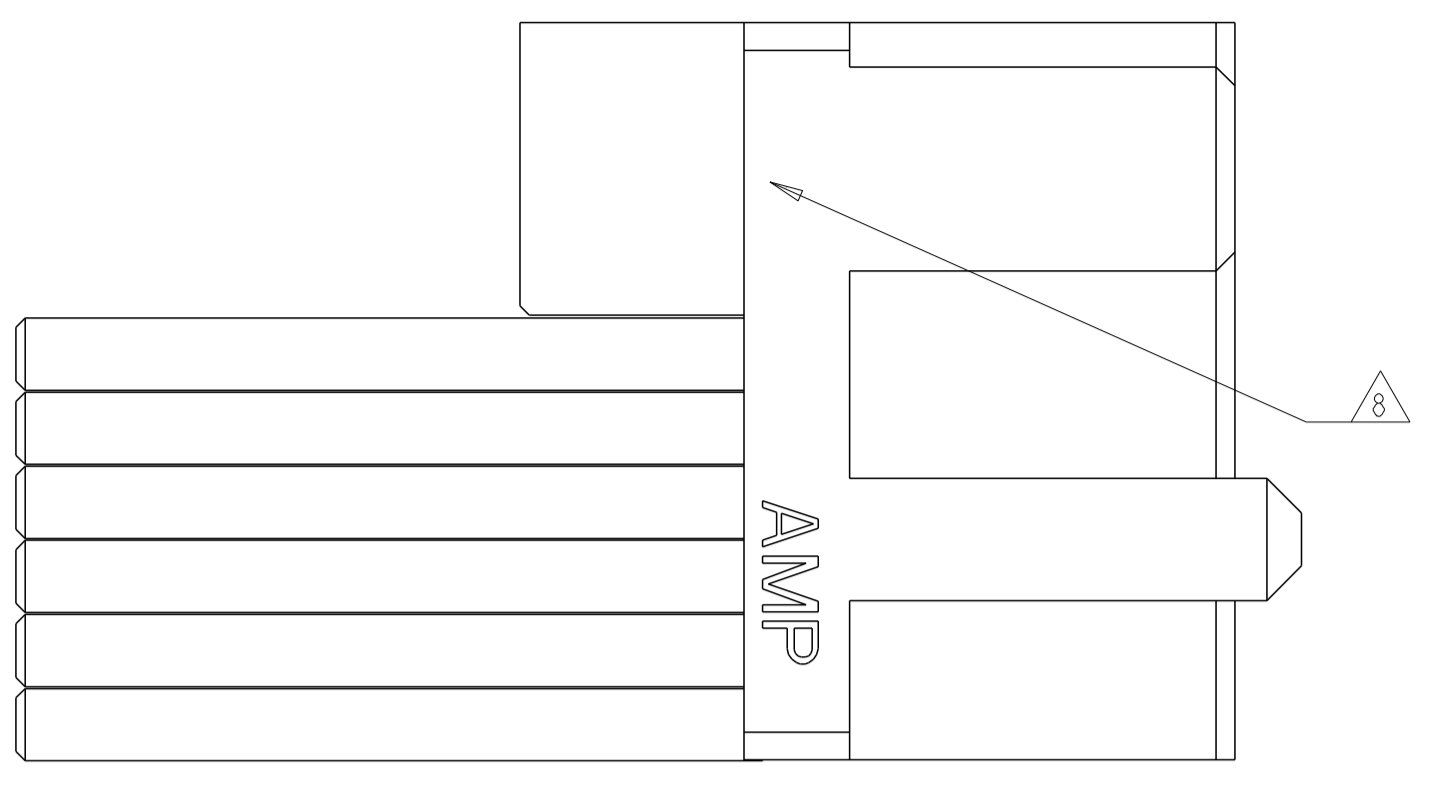
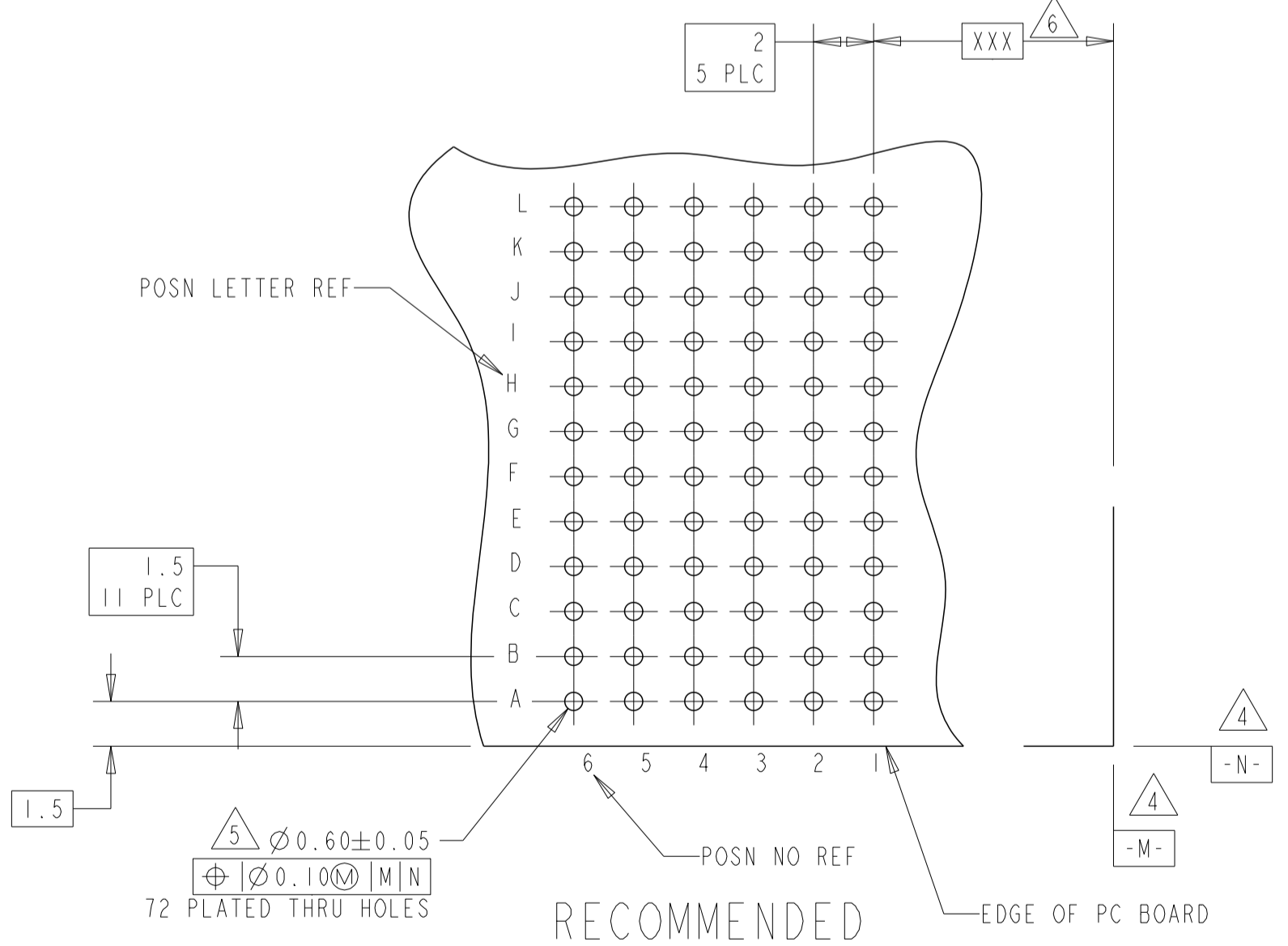
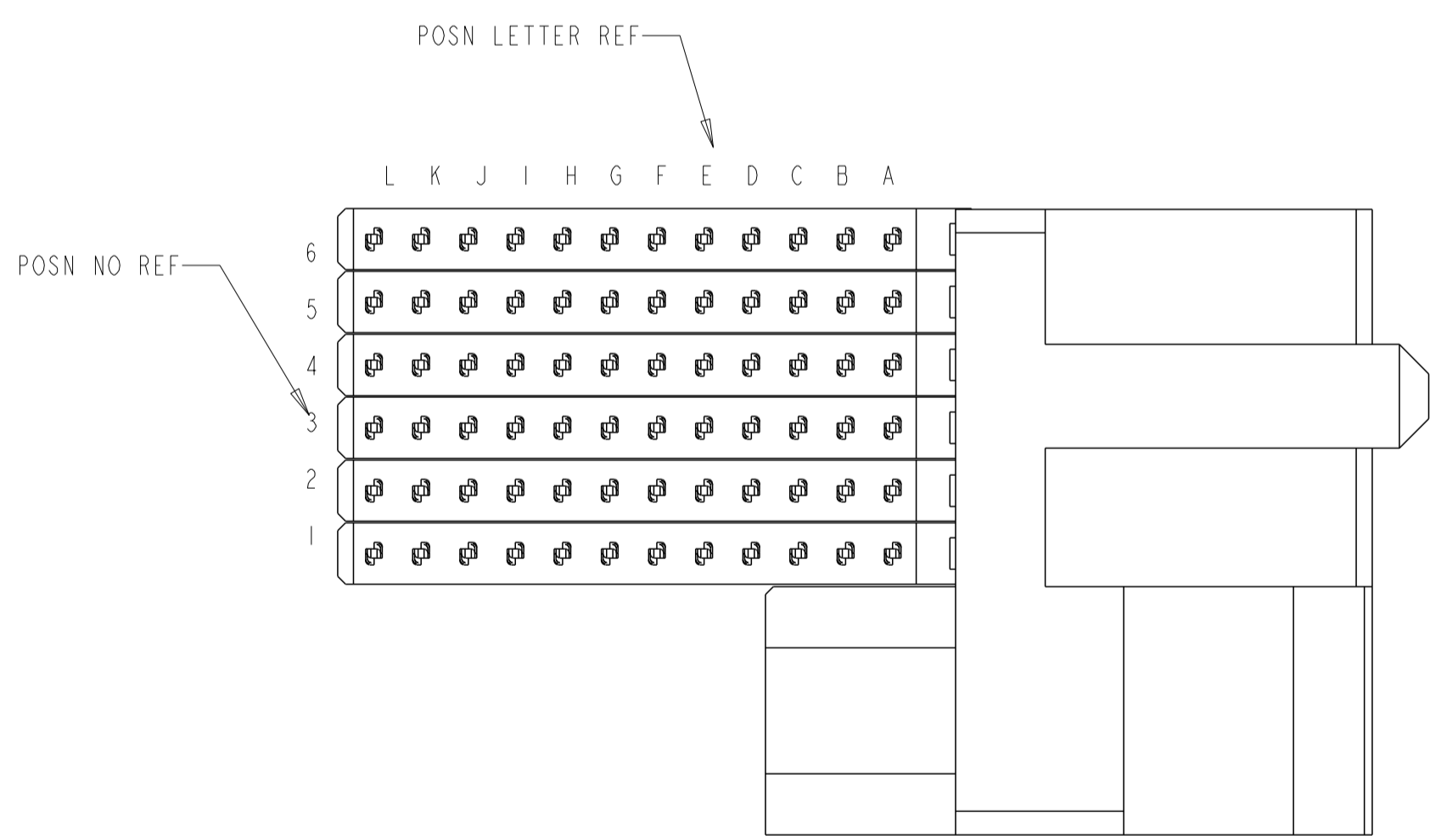
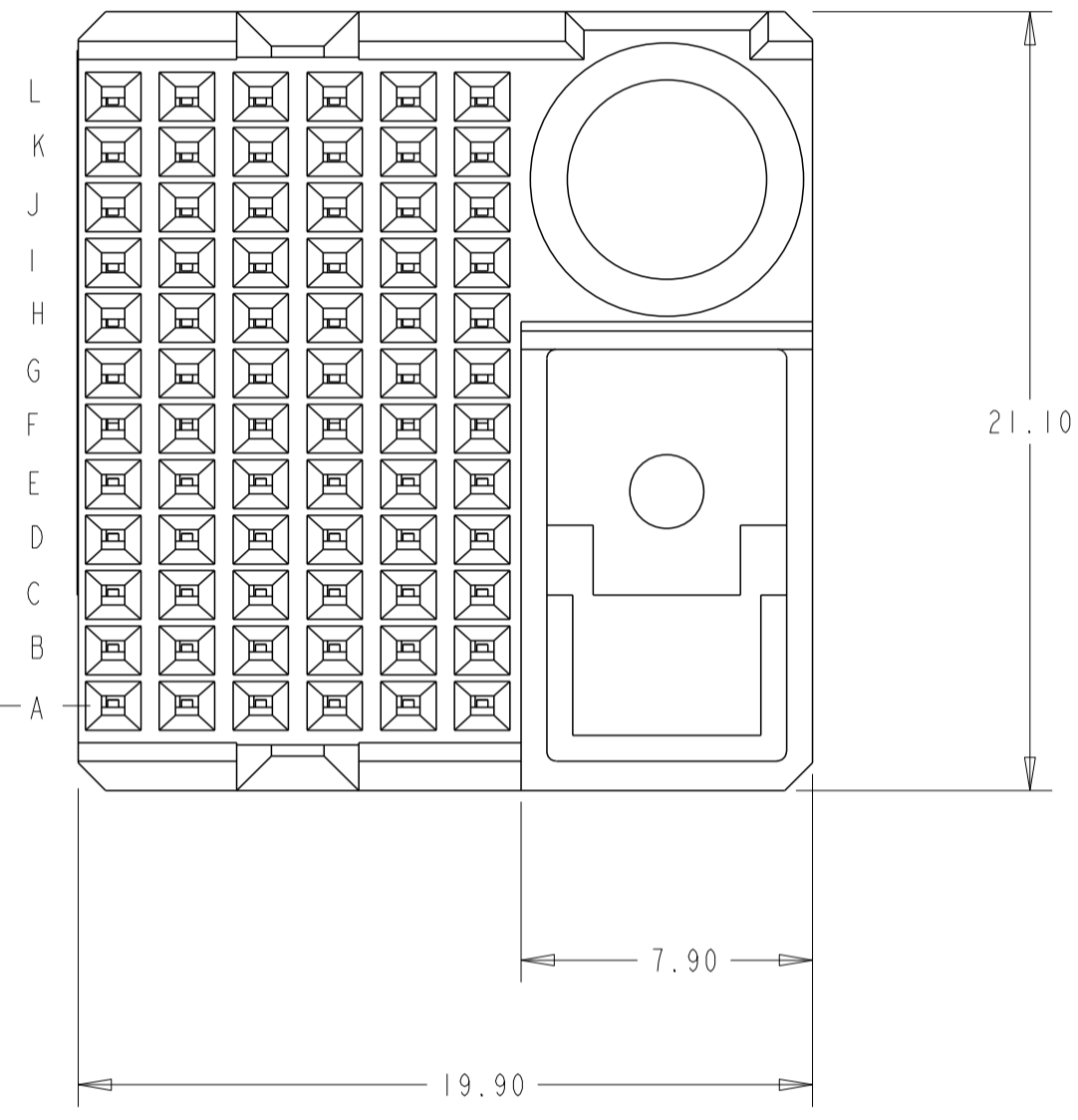


LOC		DIST		REVISIONS			
P	LTR	DESCRIPTION	DATE	DRN	APVD		
	A	INITIAL RELEASE	10MAY11	RC	CW		



DETAIL Y
SCALE 15:1
TYPICAL



RECOMMENDED PRINTED CIRCUIT BOARD LAYOUT
 RECOMMENDED PRINTED CIRCUIT BOARD COMPONENT SIDE OF PRINTED CIRCUIT BOARD

- ① GLASS FILLED POLYESTER, BLACK
- ② PHOSPHOR BRONZE
- ③ CONFORMS TO ALL TESTING ACCORDING TO IEC 61076-4-101 PERFORMANCE LEVEL 2.
- ④ DATUMS ESTABLISHED BY CUSTOMER.
- ⑤ DRILLED HOLE DIAMETER 0.700±0.025
COPPER THK 0.025-0.05
TIN THICKNESS 0.004-0.01
- ⑥ DIMENSION ESTABLISHED BY CUSTOMER.
- ⑦ GENERAL PLATING SPECIFICATION: UNDERPLATING (ENTIRE CONTACT); 1.27µm MIN NICKEL AND ACTION PIN; 0.5µm MIN TIN. FOR PLATING OF MATING SURFACES SEE APPLICABLE SPECIFICATION REFERENCE FOR EACH DASH NUMBER
- ⑧ CONNECTOR PRINTED WITH PART NUMBER AND DATE CODE, LOCATED APPROXIMATELY AS SHOWN.

③ ⑦	1645570-1
	PART NUMBER

THIS DRAWING IS A CONTROLLED DOCUMENT.		DRN RAYMOND CAO	TOMAY11	STE TE Connectivity	
DIMENSIONS: mm		CHK ALEX SHOAL	TOMAY11	NAME RECEPTACLE ASSEMBLY, SIGNAL/GROUND COMBINATION, 72 POSITION, RIGHT HAND, Z-PACK 12 HM	
TOLERANCES UNLESS OTHERWISE SPECIFIED:		APVD MANGIAN WANG	TOMAY11	PRODUCT SPEC	
0 PLC ±0.2		APPLICATION SPEC		SIZE CAGE CODE DRAWING NO RESTRICTED TO	
1 PLC ±0.2		WEIGHT		A1 00779 ©=1645570	
2 PLC ±0.2		MATERIAL HOUSING: ①		SCALE 5:1 SHEET 1 OF 1 REV A	
3 PLC ±		CONTACTS: ②		CUSTOMER DRAWING	
4 PLC ±		CONTACTS: ③ ①			

单击下面可查看定价，库存，交付和生命周期等信息

[>>TE Connectivity\(泰科\)](#)