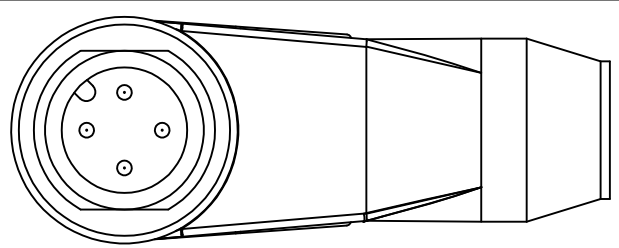


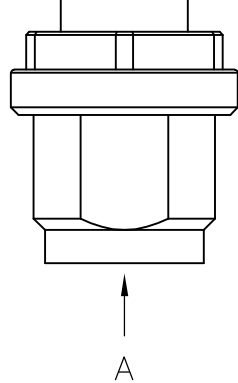
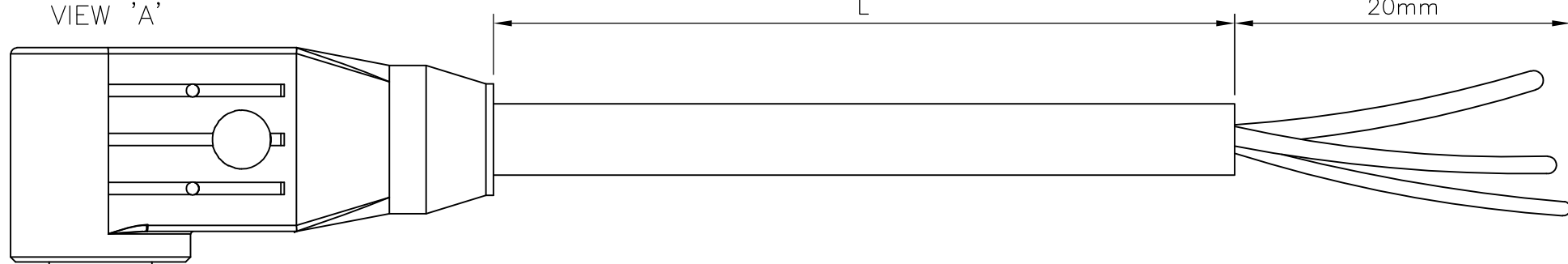
THIS DRAWING IS UNPUBLISHED. RELEASED FOR PUBLICATION  
 © COPYRIGHT - By - ALL RIGHTS RESERVED.

LOC	DIST	REVISIONS				
P	LTR	DESCRIPTION	DATE	DWN	APVD	
H	-	A	INITIAL RELEASE	26NOV2013	GSK	BvH
		A1	ECR-14-011671	20AUG2014	GSK	BvH

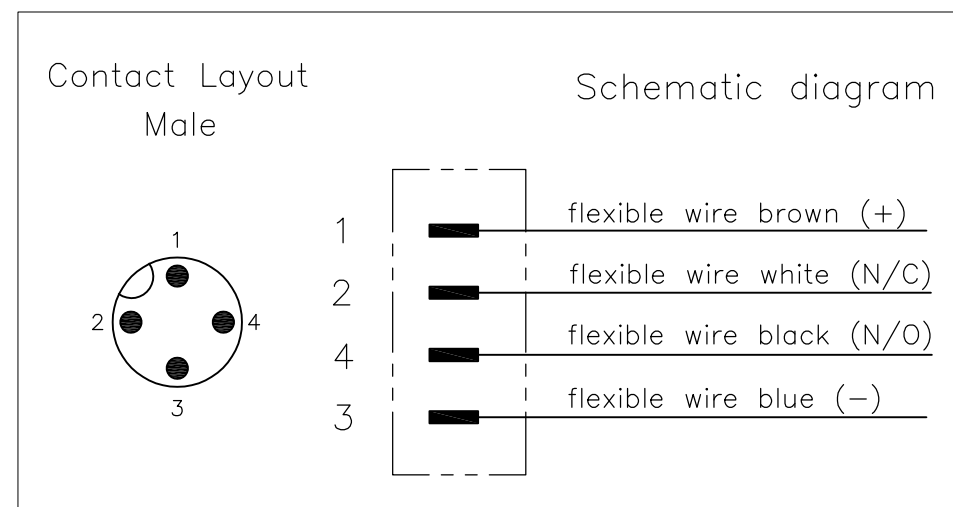
NOTES:  
 Tolerances cable lengths:  
 0m to 0.5m +30mm  
 0.5m to 1.0m +50mm  
 1.0m to 3.0m +100mm  
 < 3.0m +1.5%



VIEW 'A'



PVC CABLE	
No./diameter of wires	4 x 0.34 mm <sup>2</sup>
Wire isolation	PVC (br, wh, bl, bk)
C-track properties	
Jacket	PVC (UL/CSA)
Outer diameter	approx. 5.0 mm
Bend radius (moving)	10 x outer diameter
Temperature range (fixed)	-30...+80 °C
Temperature range (mobile)	-5...+80 °C



TECHNICAL DATA	
Operating voltage	max. 250 V AC/DC
Operating current per contact	max. 4 A
Locking of ports	Screw thread M12 x 1 mm (recommended torque 0.6 Nm) self-securing
Protection	IP65 and IP67 when plugged and screwed down (EN 60529)

PUR CABLE	
No./diameter of wires	4 x 0.34 mm <sup>2</sup>
Wire isolation	PP (br, wh, bl, bk)
C-track properties	5 million
Jacket	PUR (UL/CSA)
Outer diameter	approx. 4.7 mm
Bend radius (moving)	10 x outer diameter
Temperature range (fixed)	-40...+80 °C
Temperature range (mobile)	-25...+80 °C

LENGTH "L"	MATERIAL	JACKET COLOR	TE PN	DESCRIPTION	ITEM
4 pos	PVC	Black	1-2273082-4	4x22AWG PVC 10.0m	8
			1-2273082-3	4x22AWG PVC 5.0m	7
			1-2273082-2	4x22AWG PVC 3.0m	6
4 pos	PUR	Black	1-2273082-1	4x22AWG PVC 1.5m	5
			2273082-4	4x22AWG PUR 10.0m	4
			2273082-3	4x22AWG PUR 5.0m	3
			2273082-2	4x22AWG PUR 3.0m	2
			2273082-1	4x22AWG PUR 1.5m	1

THIS DRAWING IS A CONTROLLED DOCUMENT.

DIMENSIONS: mm	TOLERANCES UNLESS OTHERWISE SPECIFIED:	DWN 26NOV2013 SATHISH KUMAR .G	TE Connectivity
	0 PLC ± - 1 PLC ± - 2 PLC ± - 3 PLC ± - 4 PLC ± - ANGLES ± -	CHK 26NOV2013 B.VELDHOVEN	
MATERIAL	FINISH	APVD 26NOV2013 A.VAN ZANDVOORT	NAME
		PRODUCT SPEC 108-19483	M12 X 1.0 ANGLED PLUG PIGT A
		APPLICATION SPEC 114-32127	SIZE CAGE CODE DRAWING NO RESTRICTED TO
		WEIGHT -	A3 00779 C-2273082
CUSTOMER DRAWING			SCALE NTS SHEET 1 OF 1 REV A1

单击下面可查看定价，库存，交付和生命周期等信息

[>>TE Connectivity\(泰科\)](#)