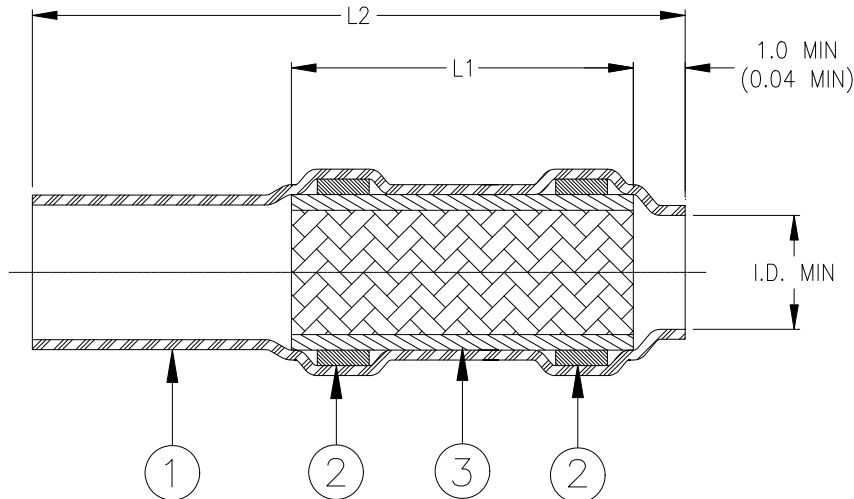


## CUSTOMER DRAWING



Product Name	Prod. Rev.	Splice Dimensions			Usable Assembly Diameters		
		I.D. min	L1±1.0 (L1±0.04)	L2 Ref.	Shield Overlap max	Cable min	Jacket Cable max
D-150-1004	A	10.0 (0.390)	10.0 (0.390)	34.0 (1.350)	9.0 (0.355)	4.0 (0.155)	10.0 (0.390)
D-150-1005	A	11.3 (0.445)	14.0 (0.550)	46.0 (1.800)	10.7 (0.420)	5.0 (0.195)	11.3 (0.445)
D-150-1006	A	13.5 (0.530)	14.0 (0.550)	46.0 (1.800)	12.5 (0.490)	6.0 (0.235)	13.5 (0.530)
D-150-1007	A	15.0 (0.590)	14.0 (0.550)	46.0 (1.800)	14.0 (0.550)	7.0 (0.275)	15.0 (0.590)
D-150-1008	A	16.5 (0.650)	14.0 (0.550)	46.0 (1.800)	15.5 (0.610)	8.0 (0.315)	16.5 (0.650)
D-150-1009	A	18.0 (0.710)	16.0 (0.630)	60.0 (2.360)	17.0 (0.670)	9.0 (0.355)	18.0 (0.710)
D-150-1010	A	20.0 (0.790)	16.0 (0.630)	60.0 (2.360)	19.0 (0.750)	10.0 (0.390)	20.0 (0.790)
D-150-1011	A	23.0 (0.905)	16.0 (0.630)	60.0 (2.360)	22.0 (0.865)	11.5 (0.450)	23.0 (0.905)
D-150-1013	A	26.0 (1.020)	16.0 (0.630)	60.0 (2.360)	25.0 (0.985)	14.5 (0.570)	26.0 (1.020)
D-150-1014	A	30.0 (1.180)	20.0 (0.790)	72.0 (2.830)	28.6 (1.125)	18.5 (0.725)	30.0 (1.180)
D-150-1016	A	35.5 (1.400)	20.0 (0.790)	75.0 (2.950)	34.4 (1.355)	19.5 (0.765)	35.5 (1.400)

### MATERIALS

- INSULATION SLEEVE: Heat-shrinkable, translucent natural, radiation cross-linked thermoplastic, polyolefin.
- SOLDER PREFORM WITH FLUX:
  - SOLDER: TYPE Sn63 per ANSI/J-STD-006.
  - FLUX: TYPE ROM1 per ANSI/J-STD-004.
- SHIELD: Solder impregnated, flux coated copper wire braid.
  - SOLDER: TYPE Sn63 per ANSI/J-STD-006.
  - FLUX: TYPE ROM1 per ANSI/J-STD-004

### APPLICATION

- These parts are designed to make a termination between the shield of a TE Connectivity backshell adapter and the shield of a cable.
- Parts may be installed with convection (hot-air) heaters.
- Temperature Range: -55° C to +135° C.

		<b>Raychem Devices</b>	TITLE: <b>SOLDERSHIELD SPLICE</b>				
Unless otherwise specified dimensions are in millimeters. [Inches dimensions are shown in brackets]			DOCUMENT NO.: <b>D-150-10XX</b>				
TOLERANCES: 0.00 N/A 0.0 N/A 0 N/A	ANGLES: N/A  ROUGHNESS IN MICRON	TE Connectivity reserves the right to amend this drawing at any time. Users should evaluate the suitability of the product for their application.			DOC. ISSUE: <b>D2</b>		DATE: <b>04-Dec-2019</b>
DRAWN BY: M. FORONDA	DRAWN DATE: ----	CAGE CODE: 06090	ECO NUMBER: ECO-19-018493	PROD. REV.: SEE TABLE	SCALE: None	SIZE: A	SHEET: 1 of 1

© 2018-2019 TE Connectivity. All Rights Reserved.

单击下面可查看定价，库存，交付和生命周期等信息

[>>TE Connectivity\(泰科\)](#)