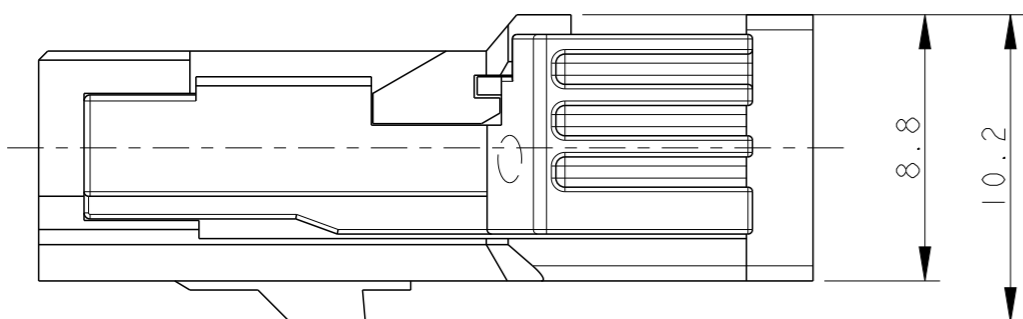


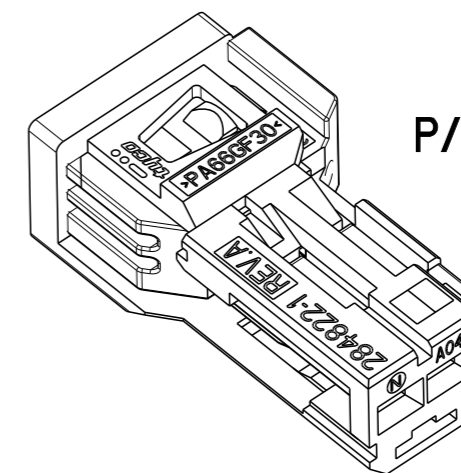
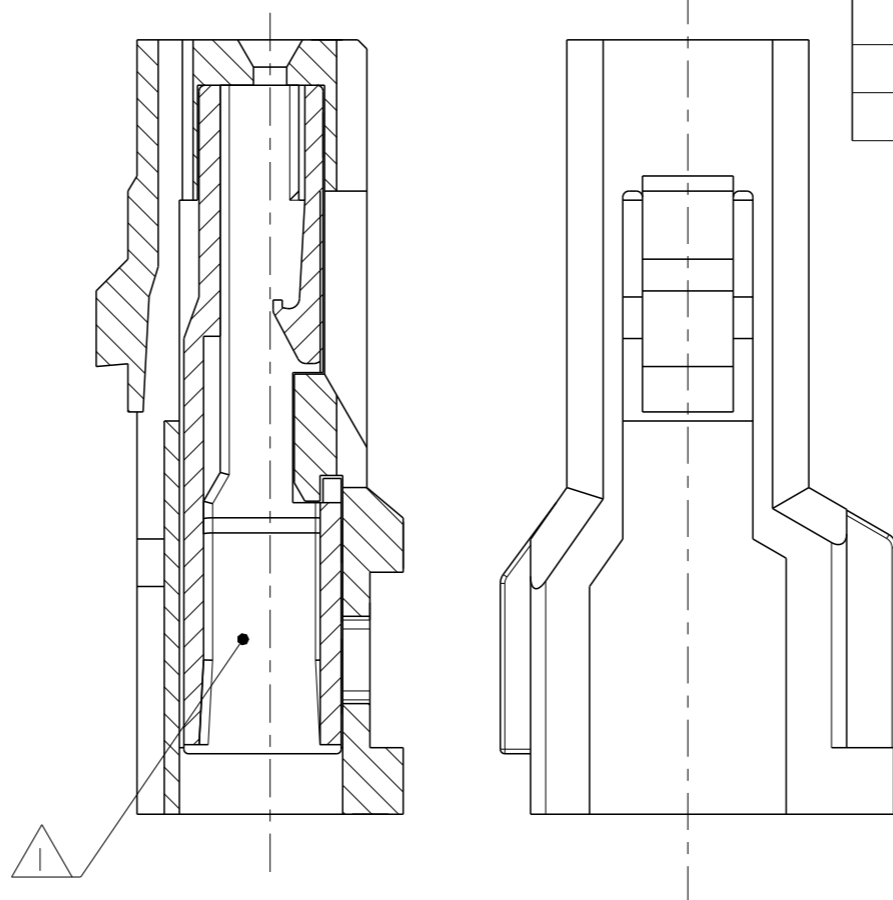
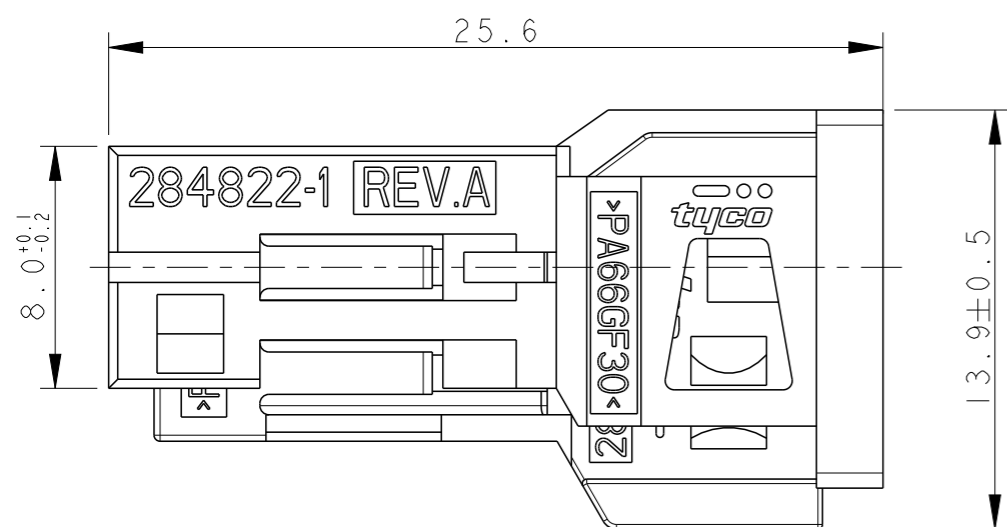
REVISIONS

P	LTR	DESCRIPTION	DATE	DWN	APVD
A3		RELEASE -2 VERS.(ECR-15-012020)	24AUG2015	M.G.	M.G.

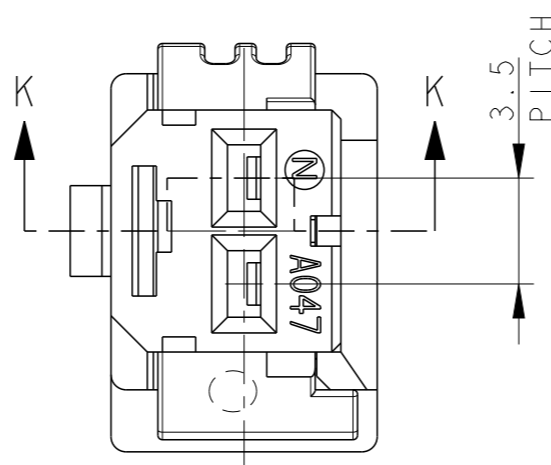
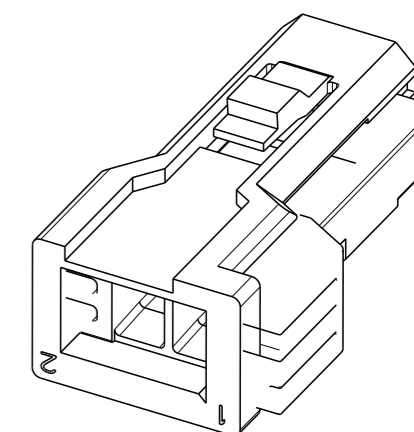
SECTION K-K



PRE-ASSEMBLED POSITION

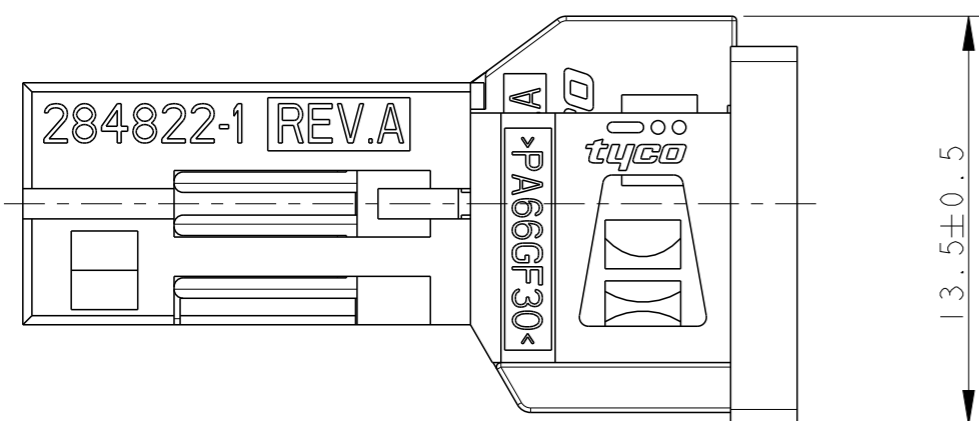


P/N 284820-1 AS SHOWN



- 1) CAVITIES SUITABLE FOR .070 FEMALE MULTILOCK NEW GEN. CONTACT P/N 284087-1, 284088-1, 284166-1
- 2) CONNECTOR SUPPLIED IN PRE-ASSEMBLED POSITION
- 3) SUITABLE TO BE MATED WITH MALE CONNECTOR P/N 174460-1 FOR COUNTERPART DRAWING SEE SHEET 2

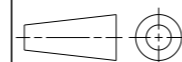
SECONDARY LOCK CLOSED



-	BLACK	PA66-GF	284820-2
-	WHITE	PA66-GF	284820-1
<b>NOTE</b>	<b>COLOR</b>	<b>MATERIAL</b>	<b>P/N</b>

THIS DRAWING IS A CONTROLLED DOCUMENT.

DIMENSIONS: mm



MATERIAL

SEE TABLE

TOLERANCES UNLESS OTHERWISE SPECIFIED:

0 PLC	±0.5
1 PLC	±0.3
2 PLC	±0.1
3 PLC	±
4 PLC	±
ANGLES	±1°

FINISH

SEE TABLE

DWN 20MAR2001

P. ZAMPIROLO

CHK 20MAR2001

O. CANUTO

APVD 20MAR2001

O. CANUTO

PRODUCT SPEC

108-20175

APPLICATION SPEC

WEIGHT

1,4gr

NAME

2W CONNECTOR FOR .070 N.G. MULTILOCK CONTACTS

SIZE

A3

CAGE CODE

-

DRAWING NO

©-284820

RESTRICTED TO

-

SCALE 4:1

SHEET 1 OF 2

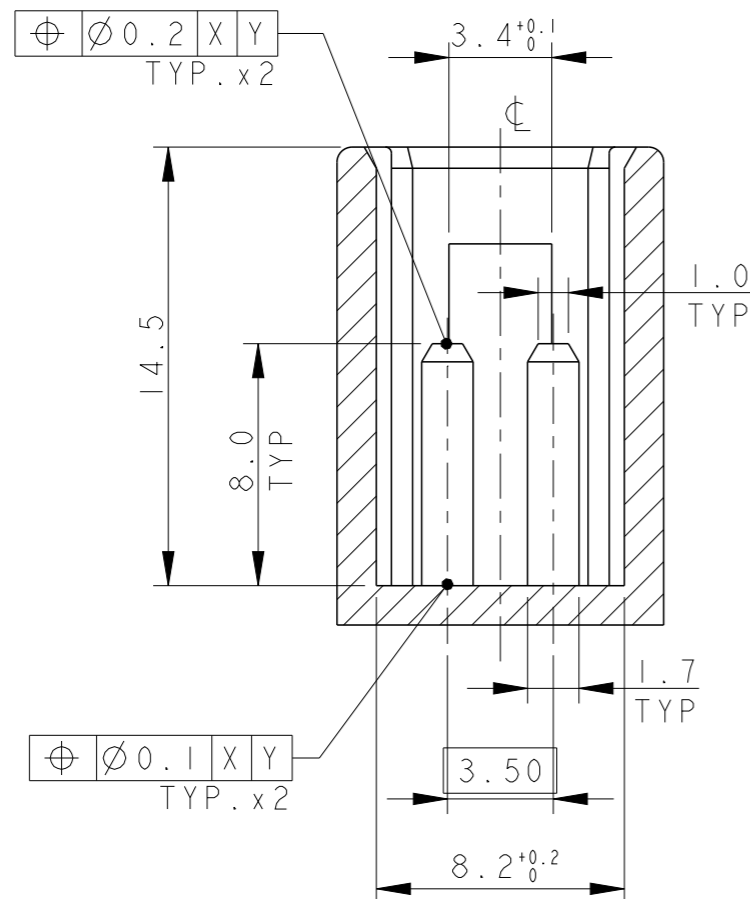
REV A3



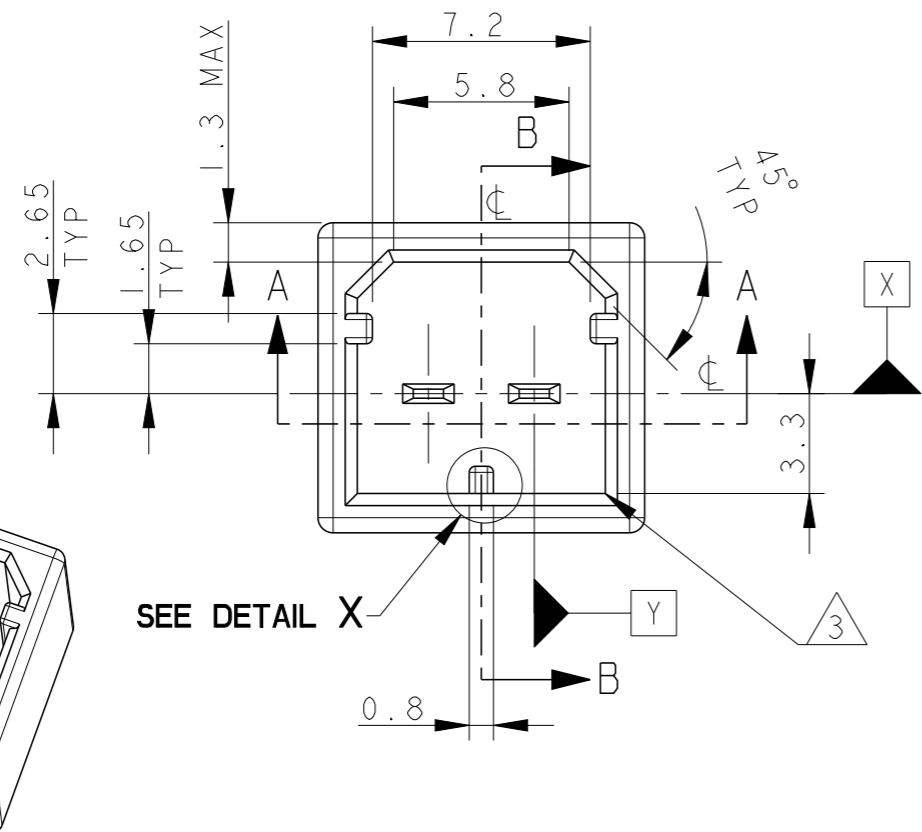
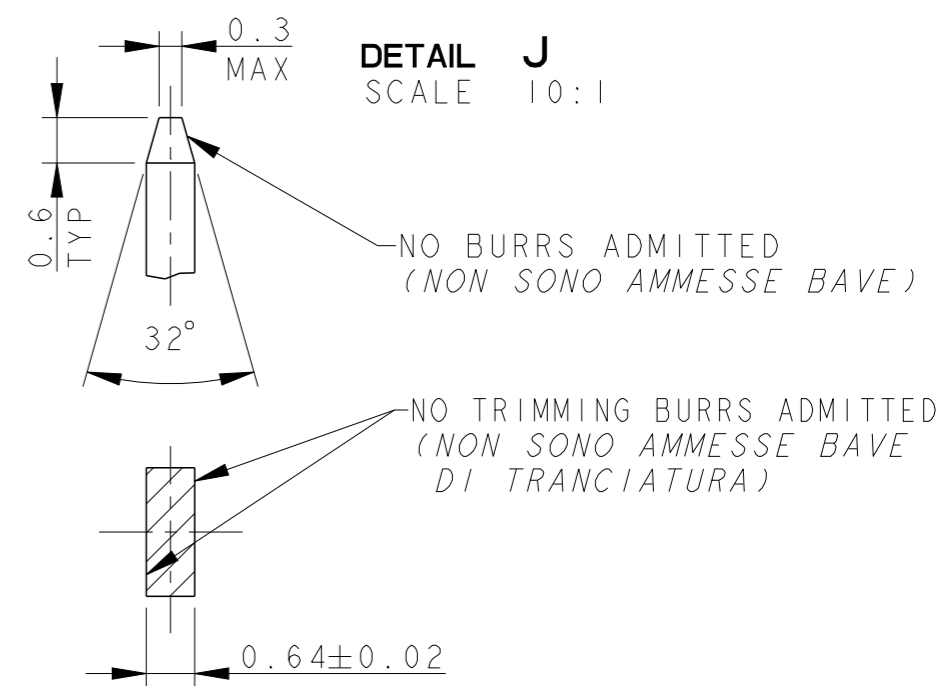
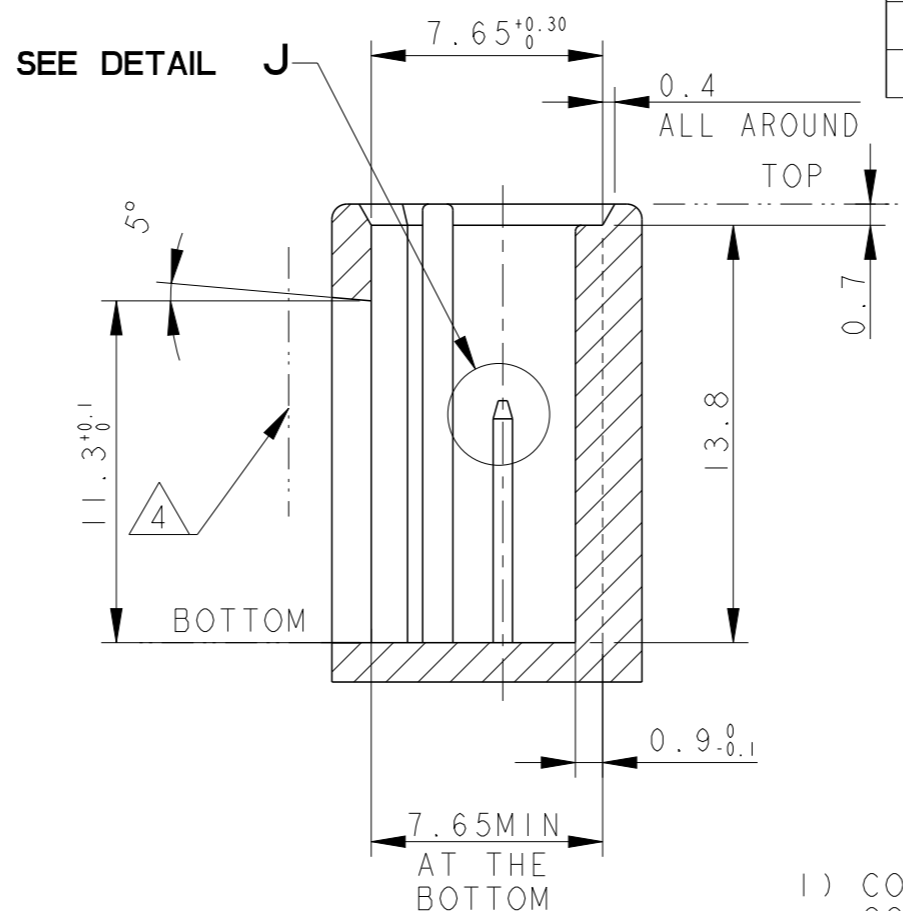
REVISIONS

P	LTR	DESCRIPTION	DATE	DWN	APVD
-	-	SEE SHEET 1	-	-	-

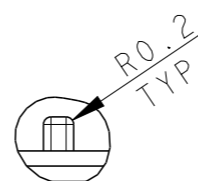
SECTION A-A



SECTION B-B



DETAIL X SCALE 5:1



1) COUNTERPART SUITABLE FOR 2W RECEPTACLE CONNECTOR FOR .070 NEW GEN. CONTACT (DIMA ADATTA PER CONNETTORE 2 VIE PER CONTATTI 070 NEW GENERATION)

2) MATERIALS (MATERIALI):  
 BODY: PA66 GLASS FIBER FILLED  
 TABS: BRASS TIN PLATED TEMPER 4  
 (CORPO: POLIAMMIDE CARICATA VETRO  
 CONTATTI: OTTONE TEMPRA 4 STAGNATO)

3) UNLESS OTHERWISE SPECIFIED R0.3 MAX (SPIGOLI INTERNI R0.3 MAX SE NON DIVERSAMENTE SPECIFICATO)

4) THIS SIDE MUST BE FREE TO ALLOW PUSHING THE LOCKING LANCE ON THE PLUG CONNECTOR (LATO DA LASCIARE LIBERO PER ACCEDERE ALLA LANCIA D'AGGANCIO DEL CONNETTORE)

THIS DRAWING IS A CONTROLLED DOCUMENT.		DWN P. ZAMPIROLO 20MAR2001	TE Connectivity	
DIMENSIONS: mm		CHK O. CANUTO 20MAR2001		
TOLERANCES UNLESS OTHERWISE SPECIFIED:		APVD O. CANUTO 20MAR2001	NAME -	
0 PLC ±0.3	1 PLC ±0.1	PRODUCT SPEC 108-20175	2W CONNECTOR FOR .070 N.G. MULTILOCK CONTACTS	
2 PLC ±0.05	3 PLC ±	APPLICATION SPEC -	SIZE A3	CAGE CODE -
4 PLC ±	ANGLES ±1°	WEIGHT -	DRAWING NO C-284820	RESTRICTED TO -
MATERIAL 2	FINISH 2	Customer Drawing	SCALE 4:1	SHEET 2 OF 2

单击下面可查看定价，库存，交付和生命周期等信息

[>>TE Connectivity\(泰科\)](#)