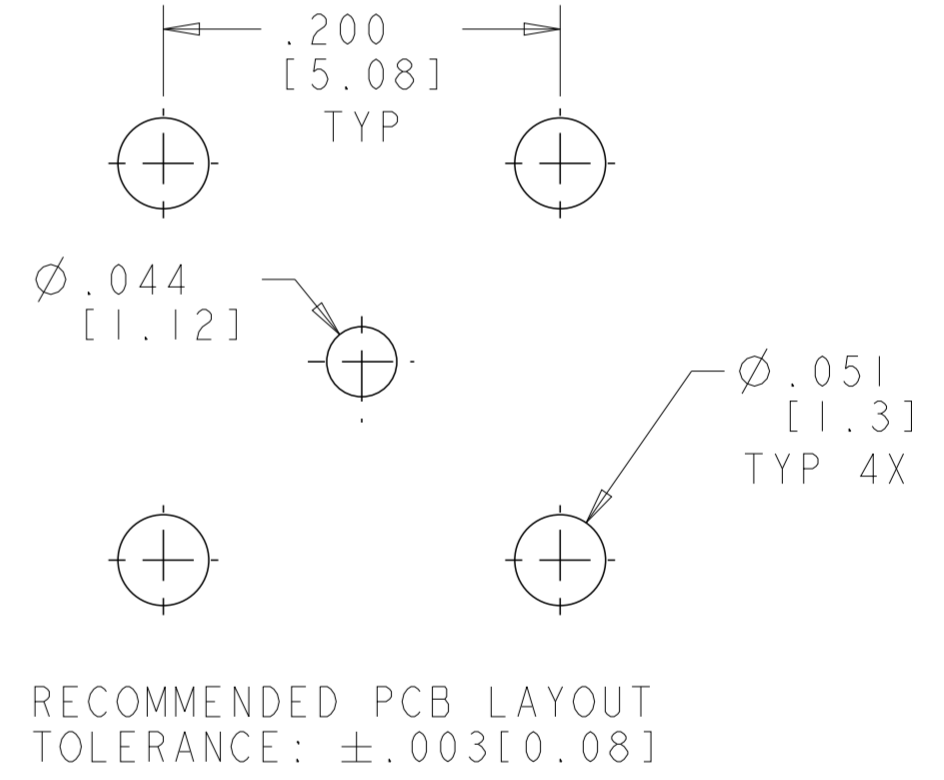
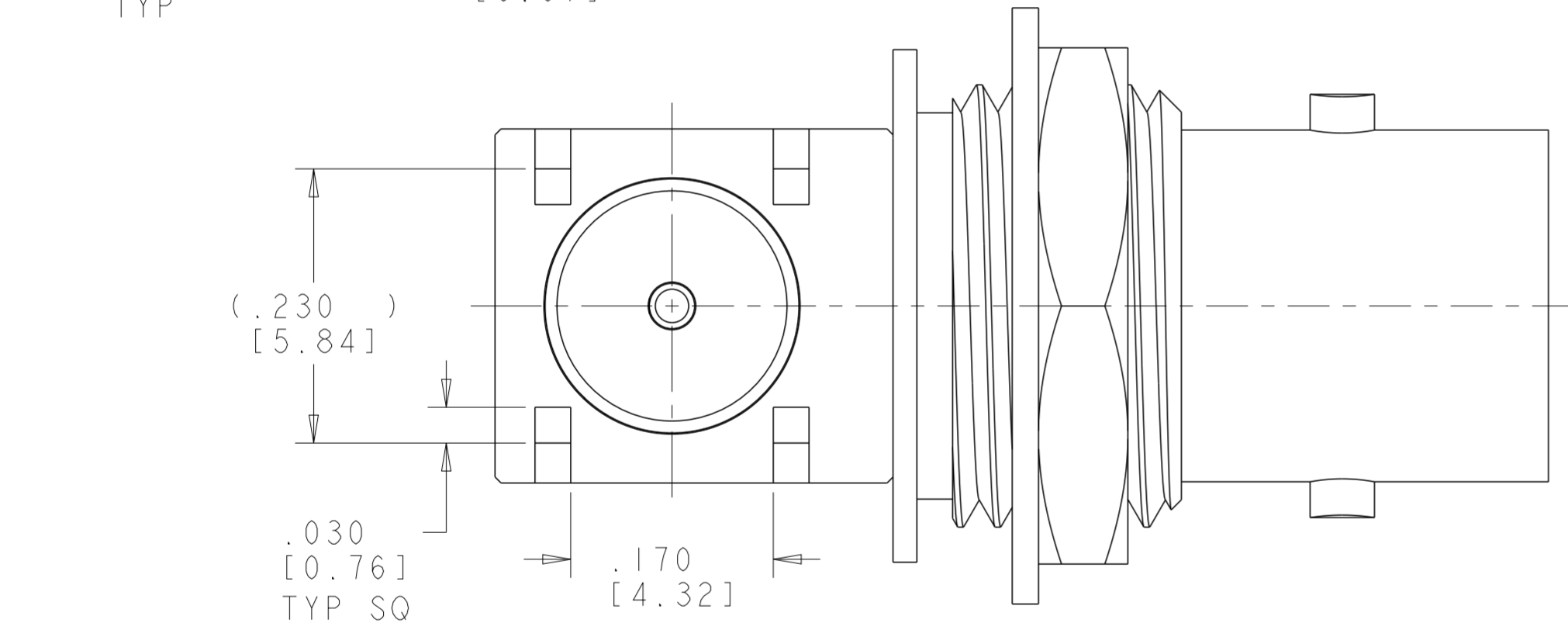
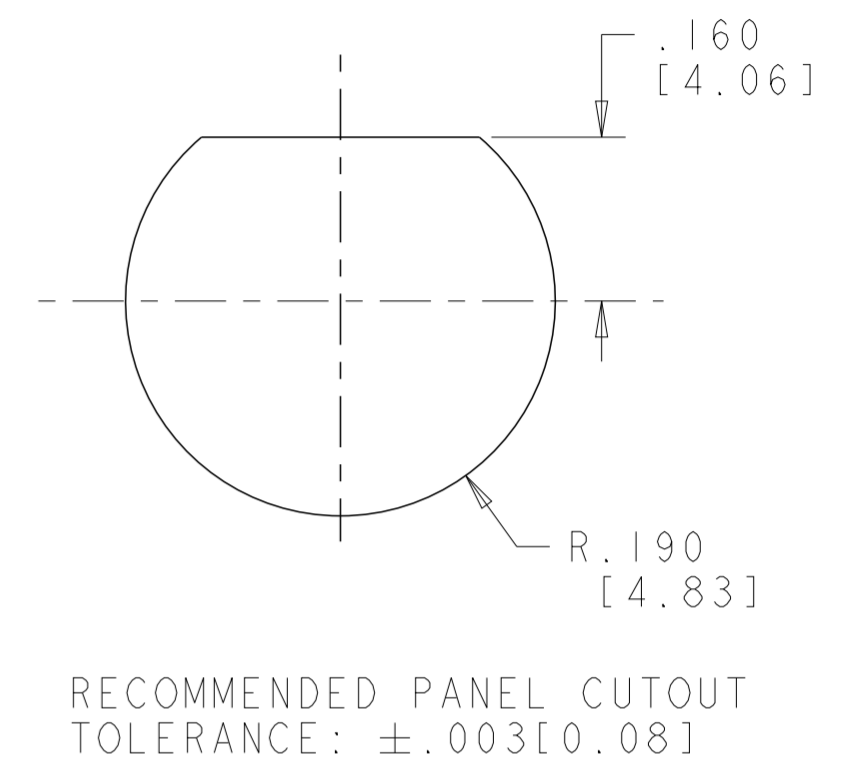
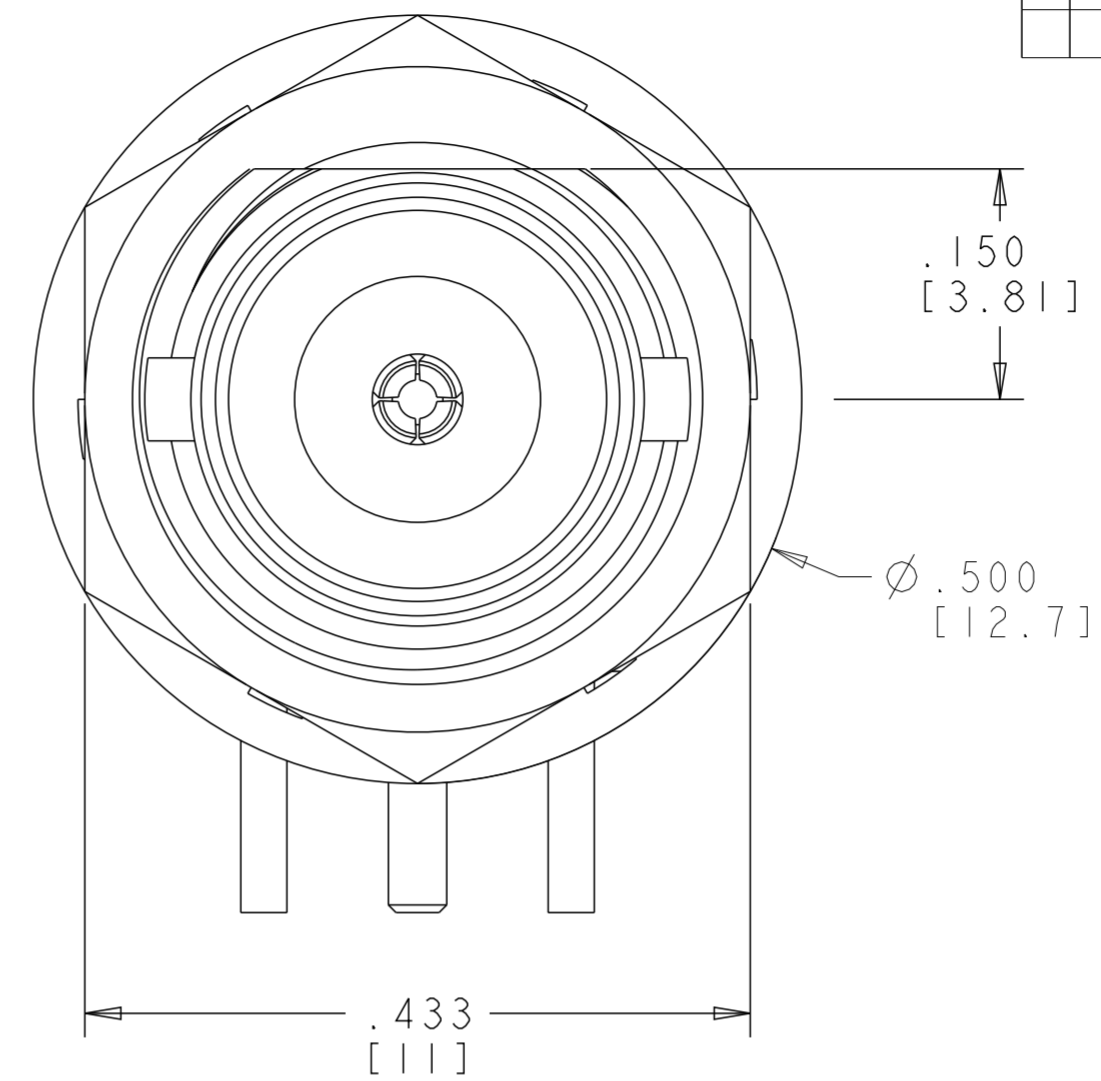
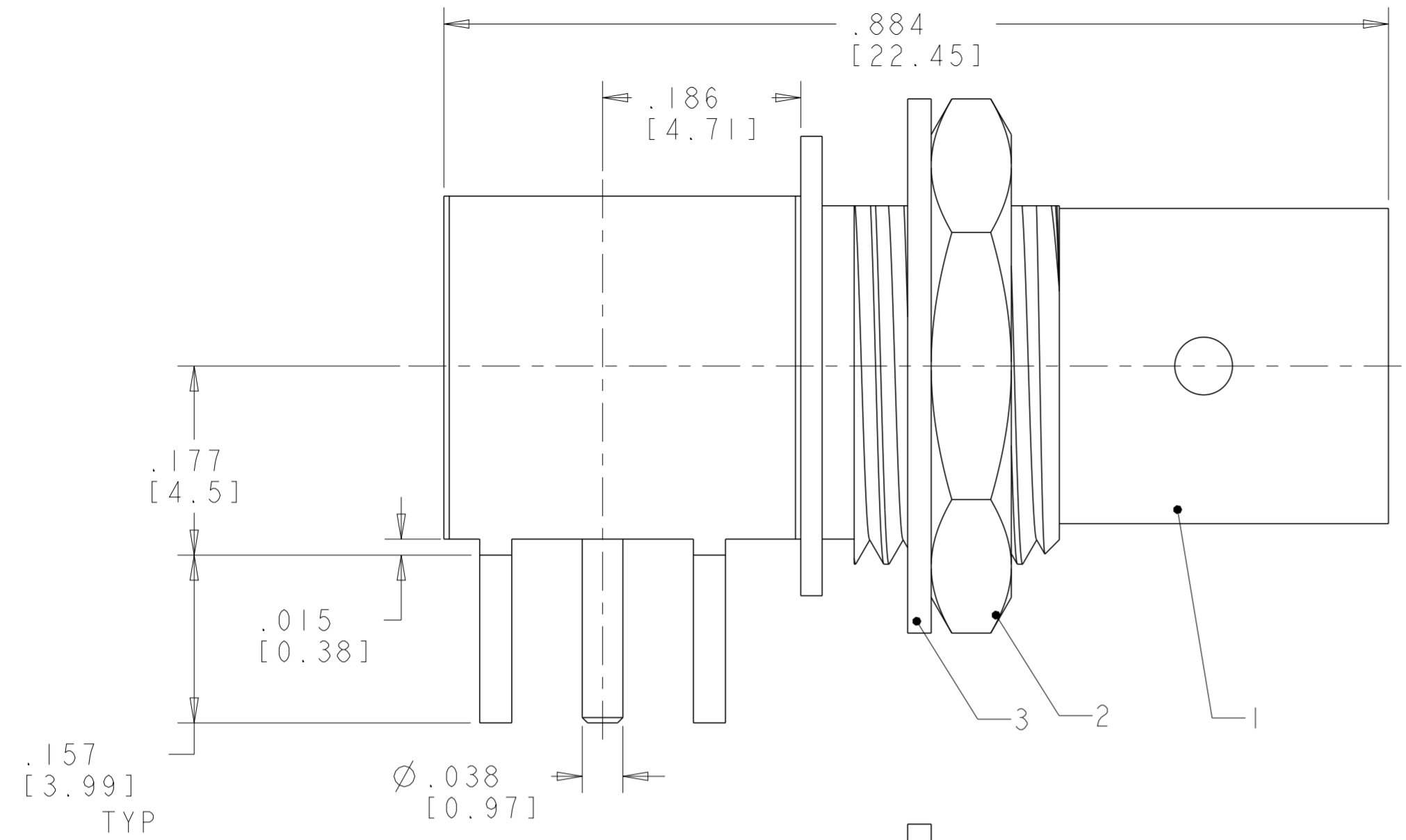


THIS DRAWING IS UNPUBLISHED. RELEASED FOR PUBLICATION
 © COPYRIGHT copyright.d8Te- ALL RIGHTS RESERVED.

REVISIONS					
P	LTR	DESCRIPTION	DATE	DWN	APVD
D1		REVISED PER ECO-11-005027	16MAY2011	RK	HMR
D2		ECR-18-016473	18OCT2018	RZ	RS
D3		ECR-19-003895	12MAR2019	RZ	RS



NOTE
 1. NUT AND WASHER ARE PACKAGED SEPERATELY

ELECTRICAL	MECHANICAL	ENVIRONMENTAL
Impedance (Ohm) <u>50</u>	Interface Dimension <u>N/A</u>	TEMPERATURE RANGE
Frequency Range (GHz) <u>DC to 3GHz</u>	Force to Engage (lbs) <u>7 MAX</u>	<u>-55°C TO + 125°C</u>
Voltage Rating (Peak) <u>@ Sea Level 335 V RMS</u>	Force to Disengage (lbs) <u>1 MAX</u>	
Insulation Resistance (MIN.) <u>5000 M ohms</u>	Center Contact Captivation Axial (Lbs) <u>2.0</u>	ROHS
Contact Resistance (mohms MAX) Center Contact <u>3.0</u> Outer Contact <u>2.0</u>	Mating cycles <u>500 cycles</u>	<u>COMPLIANT</u>
Dielectric Withstand Voltage: <u>500 V RMS Max</u>		
Insertion Loss : <u>N/A dB</u>		
VSWR: <u>N/A</u>		

1-329492-1	2-330249-2	1274629-1	1274584-1
3 WASHER	2 NUT	1 SUB-ASSM	PART NUMBER

THIS DRAWING IS A CONTROLLED DOCUMENT.		DWN <u>K. WEIDNER</u> 30 JUL 2003	TE Connectivity
DIMENSIONS: INCHES [mm]		CHK <u>G. MICHAEL</u> 08 JAN 2004	
TOLERANCES UNLESS OTHERWISE SPECIFIED:		APVD <u>K. WEIDNER</u> 08 JAN 2004	
0 PLC ±- 1 PLC ±- 2 PLC ±- 3 PLC ±.005 [0.13] 4 PLC ±- ANGLES ±2 FINISH -		NAME <u>JACK, KIT, R/A, BULKHEAD, PCB, MINI BNC W/HARDWARE</u> PRODUCT SPEC <u>108-2159</u> APPLICATION SPEC - WEIGHT - CUSTOMER DRAWING	
MATERIAL -		SIZE <u>A2</u> CAGE CODE <u>00779</u> DRAWING NO <u>C-1274584</u> RESTRICTED TO	
		SCALE <u>8:1</u> SHEET <u>1</u> OF <u>1</u> REV <u>D3</u>	

单击下面可查看定价，库存，交付和生命周期等信息

[>>TE Connectivity\(泰科\)](#)