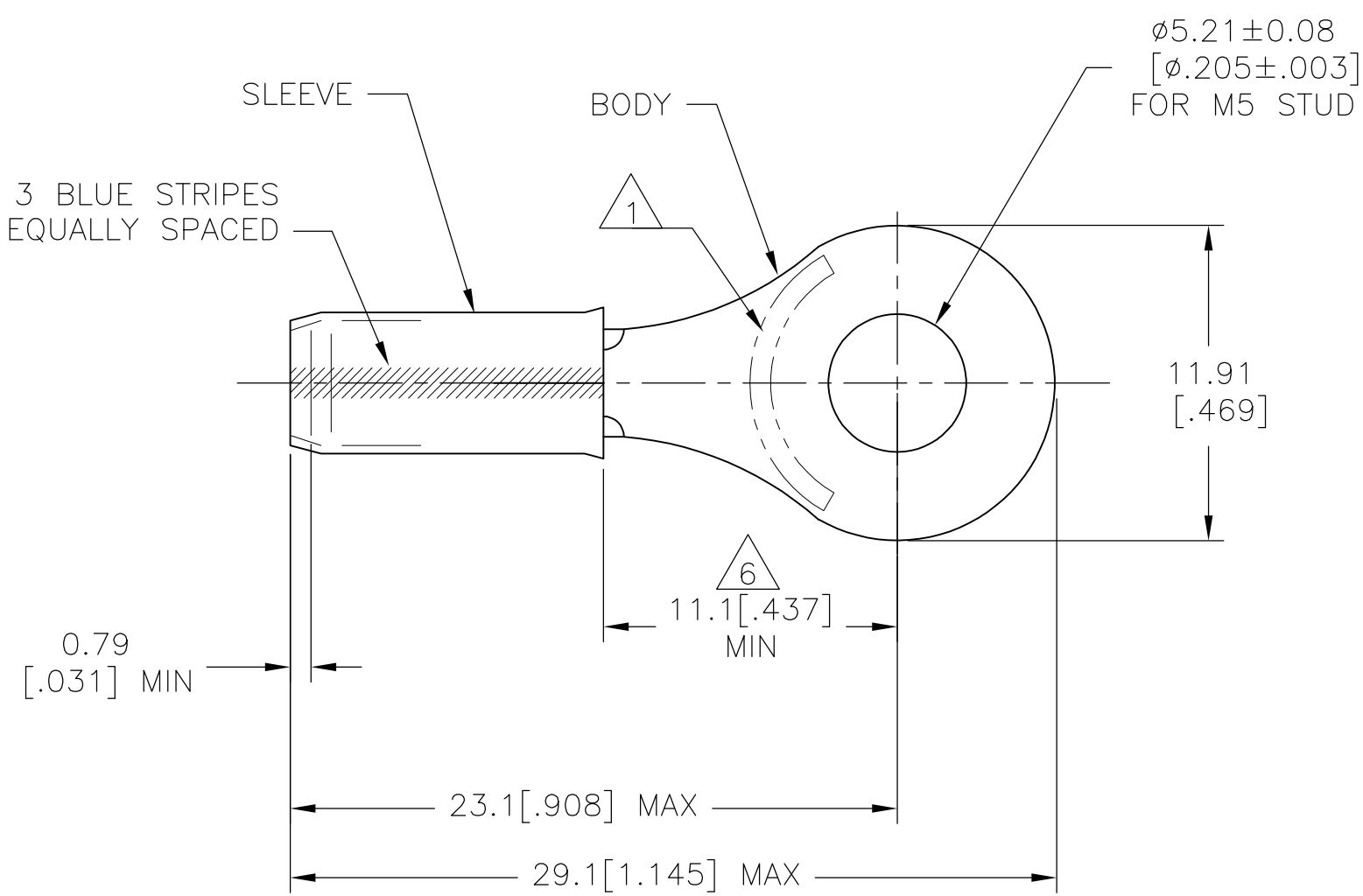


THIS DRAWING IS UNPUBLISHED. RELEASED FOR PUBLICATION  
 © COPYRIGHT - By - ALL RIGHTS RESERVED.

LOC	DIST	REVISIONS			
P	LTR	DESCRIPTION	DATE	DWN	APVD
G	02	E	REVISED PER ECO-14-015277	24FEB2015	NK DR



- 1 STAMP "AMP 16-14\*" LOCATED APPROX AS SHOWN, TERMINAL IS A 16 IR AND ACCEPTS, 16 AWG WIRE ONLY.
- 2 MATERIAL: TERMINAL - COPPER PER ASTM B-152, ANNEALED. SLEEVE - NYLON, COLOR BLUE.
- 3 FINISH: TERMINAL - 0.00254[.000100] MIN TIN PLATE PER ASTM B-545.
- 4 WIRE INSULATION DIA 1.6-3.3[.063-.130].
- 5 TONGUE MATERIAL THK: 0.79±0.05[.031±.002].
- 6 DIMENSION APPLIES FROM EDGE OF WIRE BARREL TO CENTER OF STUD HOLE.
- 7 MAX RECOMMENDED OPERATING TEMP 105°C[221°F].
- 8 VOLTAGE RATING IS 300 V MAX.
- 9 1.04-1.65mm<sup>2</sup> [2,050-3,260] CMA, STRANDED.

1000	LOOSE PIECE	134021-1
QTY	PACKAGING TYPE	PART NO

THIS DRAWING IS A CONTROLLED DOCUMENT.		DWN	JR RUTH	19OCT07	<b>STE</b> TE Connectivity
DIMENSIONS: mm [INCHES]		CHK	T MICHIELUTTI	19OCT07	
TOLERANCES UNLESS OTHERWISE SPECIFIED:		APVD	T MICHIELUTTI	19OCT07	
0 PLC ± - 1 PLC ± - 2 PLC ± - 3 PLC ± 0.20[.008] 4 PLC ± - ANGLES ± -		PRODUCT SPEC		NAME	
MATERIAL		APPLICATION SPEC		SIZE	TERMINAL, RING TONGUE, I.R., PIDG, WIRE SIZE 16 AWG
FINISH		WEIGHT		CAGE CODE	
2 3		-		DRAWING NO	
CUSTOMER DRAWING				RESTRICTED TO	-
SCALE			4:1	SHEET	1 OF 1
REV			E		

单击下面可查看定价，库存，交付和生命周期等信息

[>>TE Connectivity\(泰科\)](#)