

THIS DRAWING IS UNPUBLISHED.

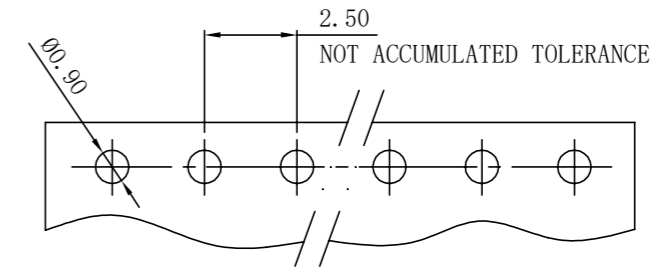
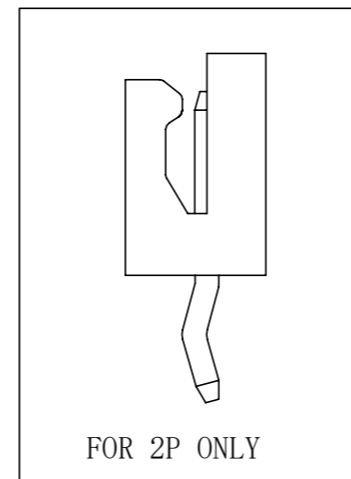
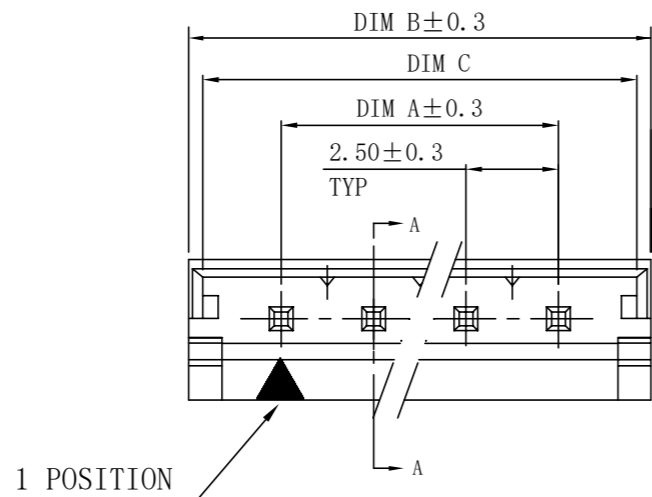
RELEASED FOR PUBLICATION

© COPYRIGHT - By -

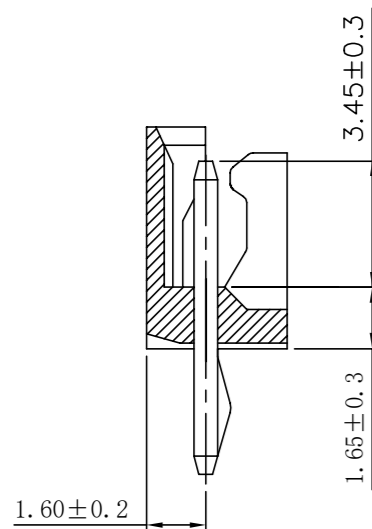
ALL RIGHTS RESERVED.

REVISIONS

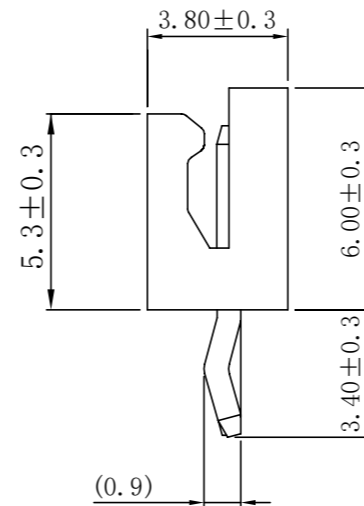
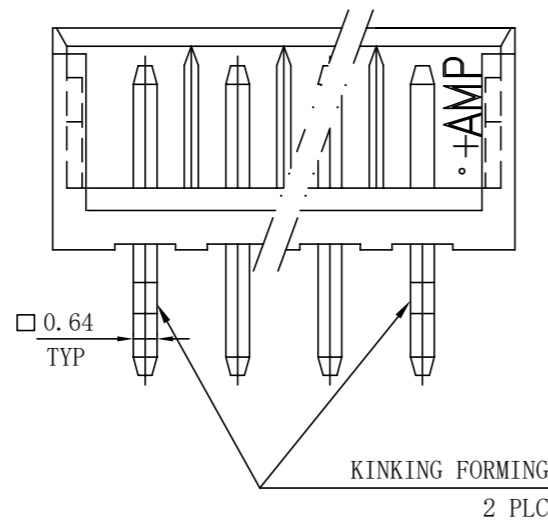
| P | LTR | DESCRIPTION | DATE | DWN | APVD |
|---|-----|---------------|-----------|-----|------|
| | C8 | ECR-20-004633 | 19MAR2020 | T.Q | W.H |



RECOMMEND PCB LAYOUT (PCB THK=1.0~1.6)



SECTION A-A



FOR 3P TO 15P

| DIM C | DIM B | DIM A | CIRCUITS | HOUSING COLOR | PART NUMBER |
|-------|-------|-------|----------|---------------|-------------|
| 14.2 | 15.0 | 10.00 | 4P | YELLOW | 5-440052-3 |
| 14.2 | 15.0 | 10.00 | 4P | NATURAL | 5-440052-2 |
| 9.2 | 10.0 | 5.00 | 2P | NATURAL | 5-440052-1 |
| 14.2 | 15.0 | 10.00 | 3P | NATURAL | 4-440052-5 |
| 39.2 | 40.0 | 35.00 | 15P | NATURAL | 1-440052-5 |
| 36.7 | 37.5 | 32.50 | 14P | NATURAL | 1-440052-4 |
| 34.2 | 35.0 | 30.00 | 13P | NATURAL | 1-440052-3 |
| 31.7 | 32.5 | 27.50 | 12P | NATURAL | 1-440052-2 |
| 29.2 | 30.0 | 25.00 | 11P | NATURAL | 1-440052-1 |
| 26.7 | 27.5 | 22.50 | 10P | NATURAL | 1-440052-0 |
| 24.2 | 25.0 | 20.00 | 9P | NATURAL | 440052-9 |
| 21.7 | 22.5 | 17.50 | 8P | NATURAL | 440052-8 |
| 19.2 | 20.0 | 15.00 | 7P | NATURAL | 440052-7 |
| 16.7 | 17.5 | 12.50 | 6P | NATURAL | 440052-6 |
| 14.2 | 15.0 | 10.00 | 5P | NATURAL | 440052-5 |
| 11.7 | 12.5 | 7.50 | 4P | NATURAL | 440052-4 |
| 9.2 | 10.0 | 5.00 | 3P | NATURAL | 440052-3 |
| 6.7 | 7.5 | 2.50 | 2P | NATURAL | 440052-2 |

NOTE:

- MATERIAL : HOUSING : THERMOPLASTIC UL94V-0, COLOR: SEE TABLE. CONTACT : BRASS.
- FINISH: CONTACT : 80u" MIN. TIN PLATED ON CONTACT AREA.
- WHEN EXTRACTING RECEPTACLE HOUSING FROM HEADER, NOT WIRE BUT RECEPTACLE HOUSING SHOULD BE CRIPED IN OEDER TO AVOID THE WIRE BREAKAGE.
- PART 4-440052-5 IS PART 440052-5 WITH PIN 2 AND 4 REMOVED.

- PART 5-440052-1 IS PART 440052-3 BUT 2ND PIN REMOVED.
- PART 5-440052-2 IS PART 440052-5 BUT 4TH PIN REMOVED.
- 0% MATERIAL REGRIND PARTS
- PART 5-440052-3 IS PART 440052-5 BUT 3RD PIN REMOVED.

THIS DRAWING IS A CONTROLLED DOCUMENT.

| | | | |
|-------------|--|------------------|-----------|
| DIMENSIONS: | TOLERANCES UNLESS OTHERWISE SPECIFIED: | DWN | 09JUN2003 |
| mm | 0 PLC ± 0.5 | CHK | O. HU |
| | 1 PLC ± 0.3 | APVD | A. WU |
| | 2 PLC ± 0.2 | | J. CHENG |
| | 3 PLC ± 0.15 | PRODUCT SPEC | 108-57099 |
| | 4 PLC ± - | APPLICATION SPEC | |
| | ANGLES ± - | WEIGHT | |
| MATERIAL | FINISH | CUSTOMER DRAWING | SCALE 1:1 |

TE Connectivity

2.5 MM PITCH HPI VERTICAL POST HEADERS

SIZE A3 CAGE CODE 00779 DRAWING NO C=440052 RESTRICTED TO -

SHEET 1 of 5 REV C8

4

3

2

1

THIS DRAWING IS UNPUBLISHED.

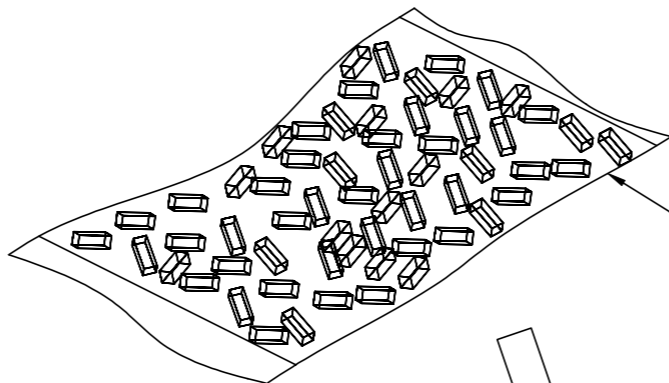
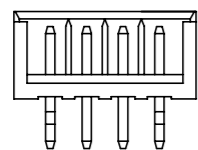
RELEASED FOR PUBLICATION

ALL RIGHTS RESERVED.

© COPYRIGHT - By -

REVISIONS

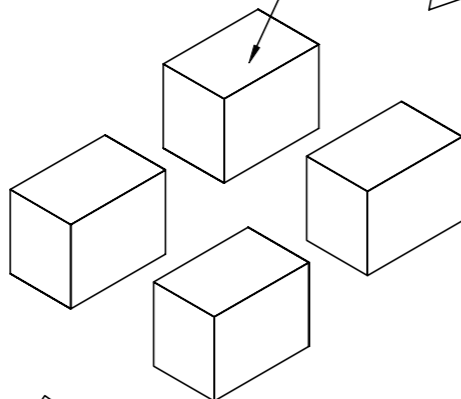
| P | LTR | DESCRIPTION | DATE | DWN | APVD |
|---|-----|-------------|------|-----|------|
| - | - | SEE SHEET 1 | - | - | - |



POLY BAG
127mm (L) X 203mm (W) X 0.07mm (H)

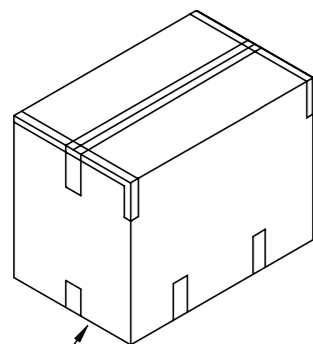
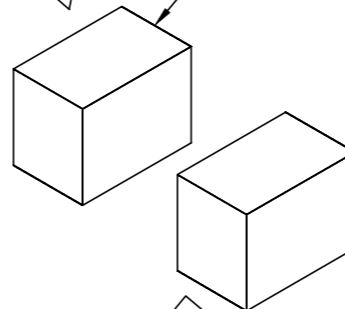
INEER BOX

320mm (L) X 220mm (W) X 140mm (H)

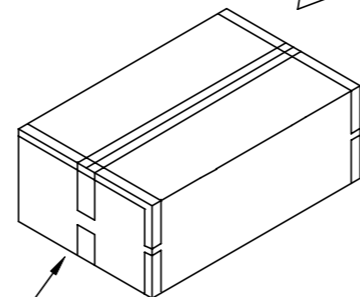


INEER BOX

320mm (L) X 220mm (W) X 140mm (H)



CARTON
340mm (L) X 470mm (W) X 316mm (H)
(FOR HEADER 6P~16P ONLY)

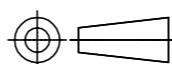


CARTON
340mm (L) X 470mm (W) X 168mm (H)
(FOR HEADER 2P~5P ONLY)

| QTY | QTY | QTY | QTY | QTY | QTY |
|--------------------|-----------------|----------|-----------------------|--------------|------------|
| 20,000 | 500 | 4P | OBSOLETE | △ | 5-440052-2 |
| 20,000 | 500 | 4P | OBSOLETE | △ | 5-440052-2 |
| 30,000 | 750 | 2P | OBSOLETE | △ | 5-440052-1 |
| 20,000 | 500 | 3P | OBSOLETE | △ | 4-440052-5 |
| 12,960 | 180 | 15P | 3-440052-5 | △ | 1-440052-5 |
| 12,000 | 200 | 14P | 3-440052-4 | △ | 1-440052-4 |
| 14,400 | 200 | 13P | 3-440052-3 | △ | 1-440052-3 |
| 16,000 | 250 | 12P | 3-440052-2 | △ | 1-440052-2 |
| 16,000 | 250 | 11P | 3-440052-1 | △ | 1-440052-1 |
| 20,000 | 250 | 10P | 3-440052-0 | △ | 1-440052-0 |
| 21,600 | 300 | 9P | 2-440052-9 | △ | 440052-9 |
| 25,200 | 350 | 8P | 2-440052-8 | △ | 440052-8 |
| 28,000 | 350 | 7P | 2-440052-7 | △ | 440052-7 |
| 35,000 | 350 | 6P | 2-440052-6 | △ | 440052-6 |
| 20,000 | 500 | 5P | 2-440052-5 | △ | 440052-5 |
| 24,000 | 600 | 4P | 2-440052-4 | △ | 440052-4 |
| 30,000 | 750 | 3P | 2-440052-3 | △ | 440052-3 |
| 36,000 | 1,000 | 2P | 2-440052-2 | △ | 440052-2 |
| AP (PCS CARTON) | PP (PCS BAG) | CIRCUITS | YELLOW | NATURAL | NATURAL |
| | | | HOUSING COLOR | | |
| | | | PART NUMBER | | |

THIS DRAWING IS A CONTROLLED DOCUMENT.

DIMENSIONS:
mm



TOLERANCES UNLESS OTHERWISE SPECIFIED:

| | |
|--------|-----|
| 0 PLC | ± - |
| 1 PLC | ± - |
| 2 PLC | ± - |
| 3 PLC | ± - |
| 4 PLC | ± - |
| ANGLES | ± - |

MATERIAL

FINISH

DWN O. HU 09JUN2003

CHK A. WU 09JUN2003

APVD J. CHENG 09JUN2003

PRODUCT SPEC

108-57099

APPLICATION SPEC

-

WEIGHT 0.000000

CUSTOMER DRAWING

09JUN2003



TE Connectivity

NAME

2.5 MM PITCH HPI VERTICAL POST HEADERS

SIZE

CAGE CODE

DRAWING NO

RESTRICTED TO

A3

00779

C=440052

-

SCALE 1:1

SHEET 2 of 5

REV C8

THIS DRAWING IS UNPUBLISHED.

RELEASED FOR PUBLICATION

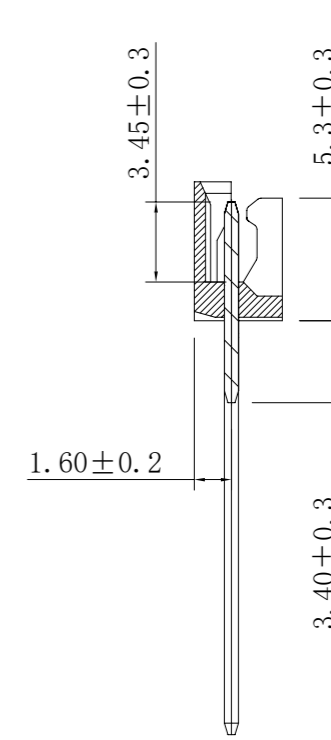
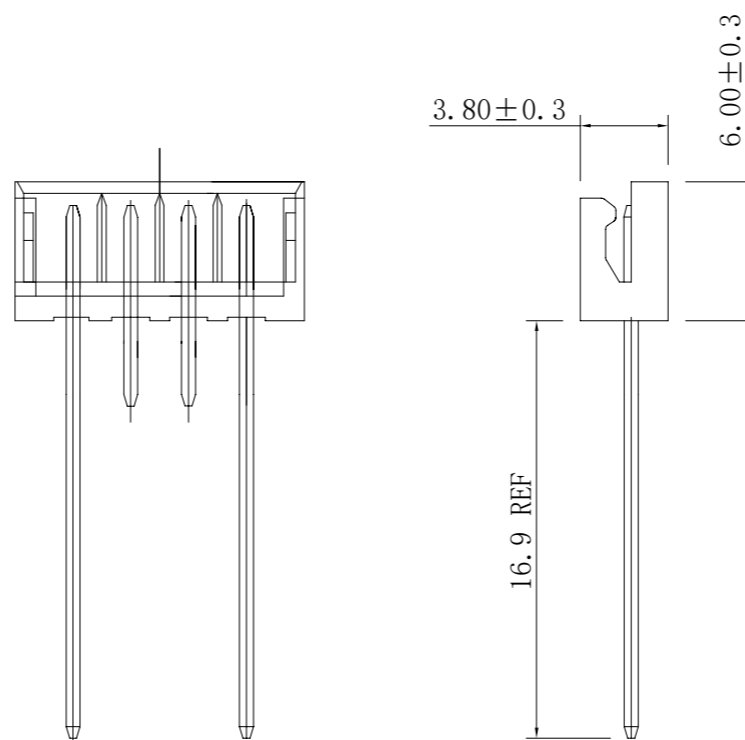
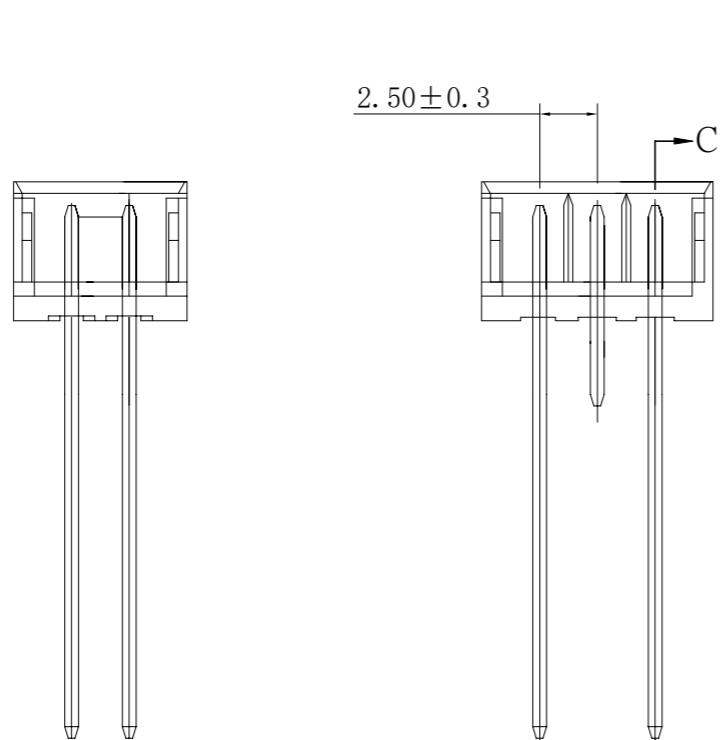
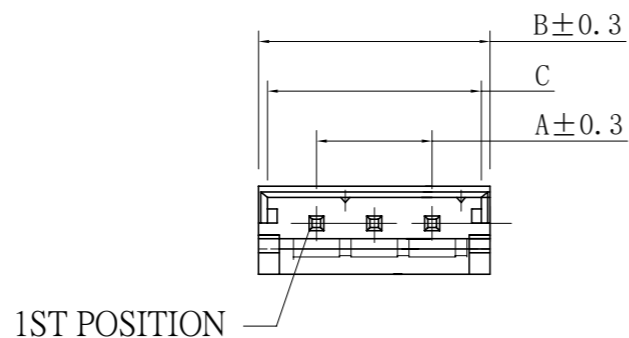
ALL RIGHTS RESERVED.

© COPYRIGHT - By -

REVISIONS

| P | LTR | DESCRIPTION | DATE | DWN | APVD |
|---|-----|-------------|------|-----|------|
| - | - | SEE SHEET 1 | - | - | - |

| 11.7 | 12.5 | 7.50 | 4P | 8-440052-4 | 4-440052-4 |
|------|------|------|-----|------------|------------|
| 9.2 | 10.0 | 5.00 | 3P | 8-440052-3 | 4-440052-3 |
| 6.7 | 7.5 | 2.50 | 2P | 8-440052-2 | 4-440052-2 |
| C | B | A | POS | P/N | P/N |



2POS


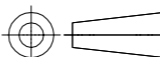
3POS

4POS

SECTION:C-C

NOTE:

- MATERIAL :
HOUSING : THERMOPLASTIC UL94V-0,
COLOR: NATURAL.
CONTACT : BRASS.
- FINISH:
CONTACT : 80u" MIN. TIN PLATED ON CONTACT AREA.
- WHEN EXTRACTING RECEPTACLE HOUSING FROM HEADER,
NOT WIRE BUT RECEPTACLE HOUSING SHOULD BE
CRIPED IN OEDER TO AVOID THE WIRE BREAKAGE.

| | | | | | |
|---|--|--|---|-------------------|--|
| THIS DRAWING IS A CONTROLLED DOCUMENT. | | DWN O. HU 09JUN2003 |  TE Connectivity | | |
| | | CHK A. WU 09JUN2003 | | | |
| | | APVD J. CHENG 09JUN2003 | NAME | | |
| DIMENSIONS: mm | | TOLERANCES UNLESS OTHERWISE SPECIFIED: | | PRODUCT SPEC | |
|  | | 0 PLC ± 0.5 | | 108-57099 | |
| | | 1 PLC ± 0.3 | | APPLICATION SPEC | |
| | | 2 PLC ± 0.2 | | SIZE | |
| | | 3 PLC ± 0.15 | | CAGE CODE | |
| | | 4 PLC ± - | | DRAWING NO | |
| | | ANGLES ± - | | RESTRICTED TO | |
| MATERIAL | | FINISH | | WEIGHT | |
| | | | | 0.000000 | |
| | | | | A3 00779 C=440052 | |
| | | | | CUSTOMER DRAWING | |
| | | | | SCALE 1:1 | |
| | | | | SHEET 3 of 5 | |
| | | | | REV C8 | |

THIS DRAWING IS UNPUBLISHED.

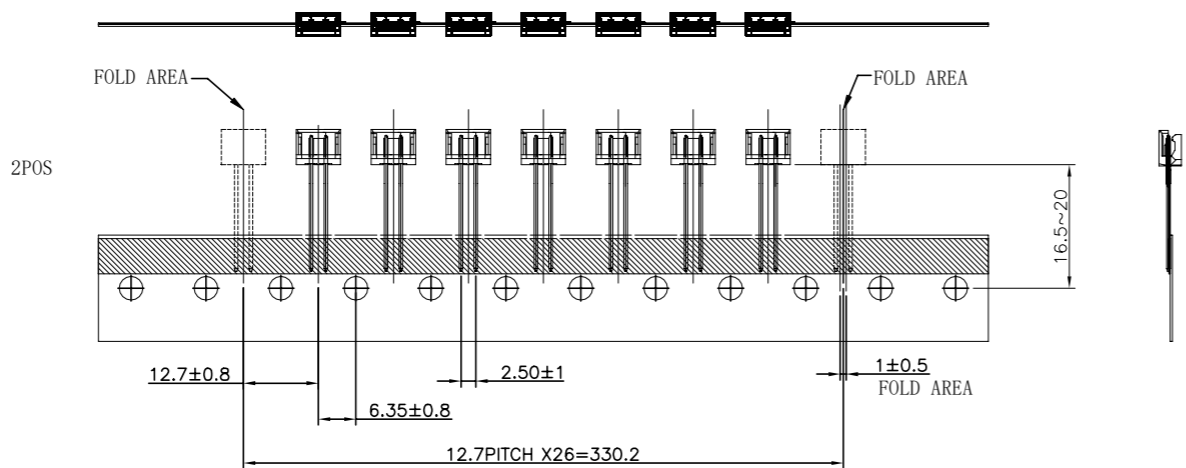
RELEASED FOR PUBLICATION

ALL RIGHTS RESERVED.

© COPYRIGHT - By -

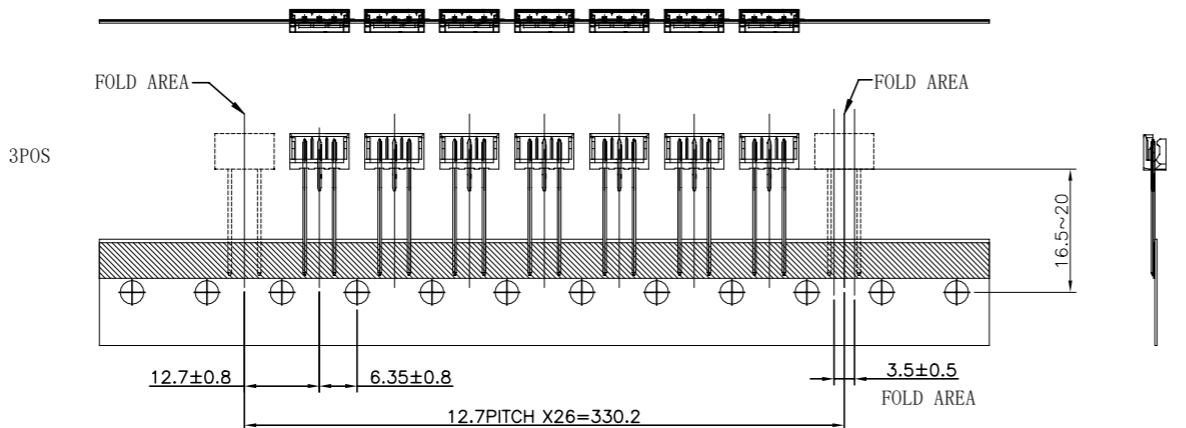
REVISIONS

| P | LTR | DESCRIPTION | DATE | DWN | APVD |
|---|-----|-------------|------|-----|------|
| - | - | SEE SHEET 1 | - | - | - |

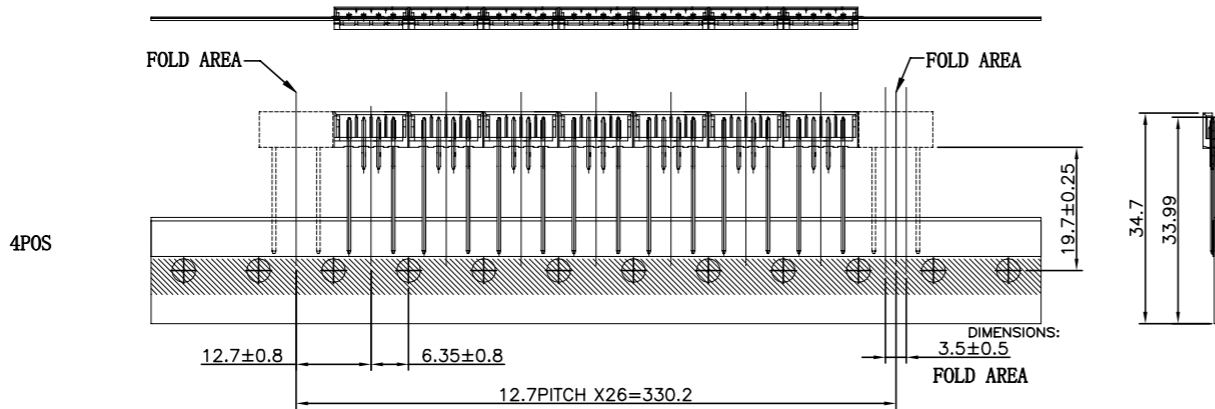


NOTES:

- 1. BRAID: 12.7PITCH*26=330.2
- 2. CATON; 342*310*42mm
- 3. QUANTITY: 2POS--1500pcs/box
3POS--1500pcs/box
4POS--720pcs/box



| | | |
|-----|------------|------------|
| 4P | 8-440052-4 | 4-440052-4 |
| 3P | 8-440052-3 | 4-440052-3 |
| 2P | 8-440052-2 | 4-440052-2 |
| POS | P/N | P/N |



THIS DRAWING IS A CONTROLLED DOCUMENT.

| | | |
|------|----------|-----------|
| DWN | O. HU | 09JUN2003 |
| CHK | A. WU | 09JUN2003 |
| APVD | J. CHENG | 09JUN2003 |



| | |
|-------------|--|
| DIMENSIONS: | TOLERANCES UNLESS OTHERWISE SPECIFIED: |
| mm | |
| | 0 PLC ± - |
| | 1 PLC ± - |
| | 2 PLC ± - |
| | 3 PLC ± - |
| | 4 PLC ± - |
| | ANGLES ± - |

| | |
|------------------|-----------|
| PRODUCT SPEC | 108-57099 |
| APPLICATION SPEC | - |

NAME
2.5 MM PITCH HPI VERTICAL POST HEADERS

| | |
|----------|--------|
| MATERIAL | FINISH |
| - | - |

| | | | |
|------------------|-----------|------------|---------------|
| SIZE | CAGE CODE | DRAWING NO | RESTRICTED TO |
| A3 | 00779 | C=440052 | - |
| WEIGHT | | 0.000000 | |
| CUSTOMER DRAWING | | SCALE | 1:1 |
| SHEET | | 4 | of 5 |
| REV | | C8 | |

THIS DRAWING IS UNPUBLISHED.

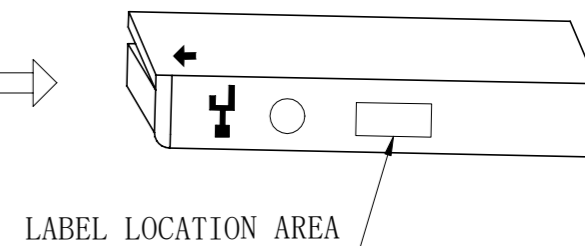
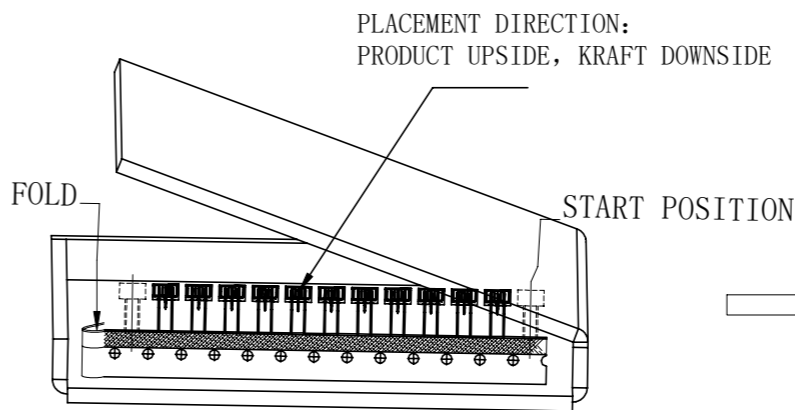
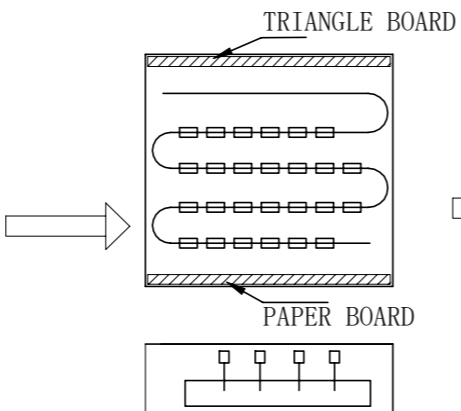
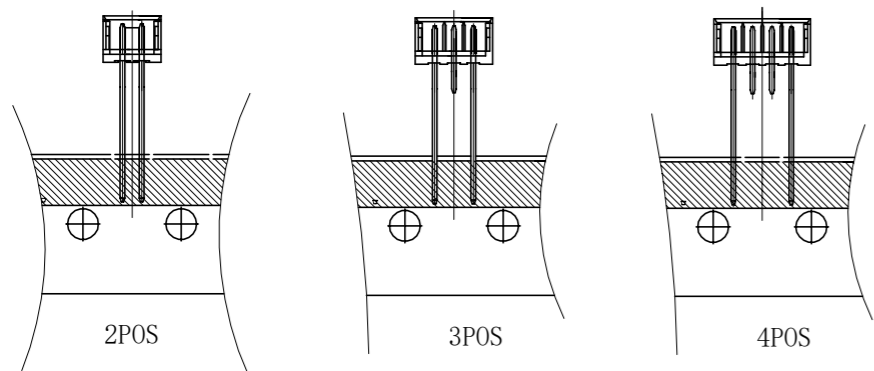
RELEASED FOR PUBLICATION

ALL RIGHTS RESERVED.

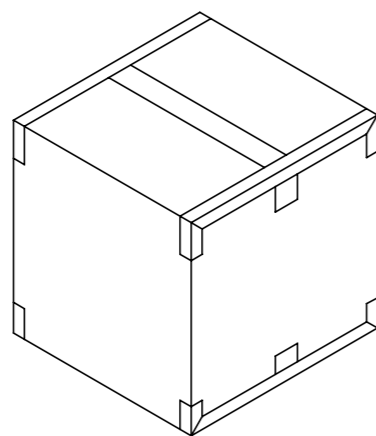
© COPYRIGHT - By -

REVISIONS

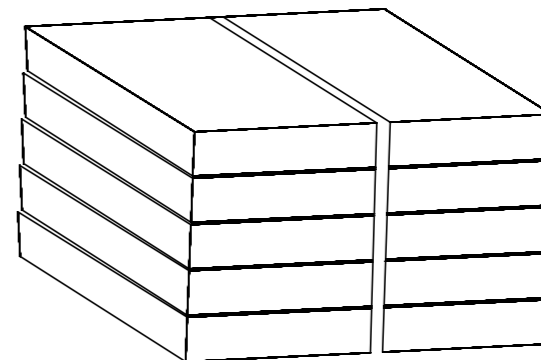
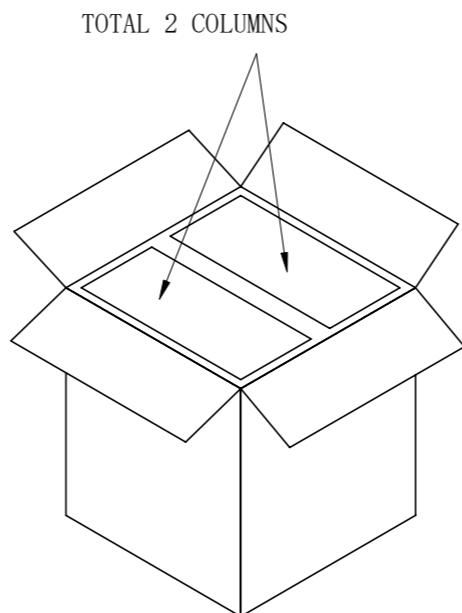
| P | LTR | DESCRIPTION | DATE | DWN | APVD |
|---|-----|-------------|------|-----|------|
| - | - | SEE SHEET 1 | - | - | - |



1、QUANTITY; 2POS--1500pcs/BOX
 3POS--1500pcs/BOX
 4POS--720pcs/BOX



QUANTITY:
 2POS&3POS: 1500x10=15000PCS
 4POS: 720x10=7200PCS



| 4P | 3P | 2P | POS | P/N | P/N |
|------------|------------|------------|-----|-----|-----|
| 8-440052-4 | 8-440052-3 | 8-440052-2 | | | |
| | | | | | |

| | | | | |
|---|--|-------------------------------|--|-------------------------------|
| THIS DRAWING IS A CONTROLLED DOCUMENT. | | DWN O. HU 09JUN2003 | STE TE Connectivity | |
| | | CHK A. WU 09JUN2003 | | |
| DIMENSIONS: mm | | APVD J. CHENG 09JUN2003 | NAME | |
| TOLERANCES UNLESS OTHERWISE SPECIFIED: 0 PLC ± - 1 PLC ± - 2 PLC ± - 3 PLC ± - 4 PLC ± - ANGLES ± - | | PRODUCT SPEC 108-57099 | 2.5 MM PITCH HPI VERTICAL POST HEADERS | |
| MATERIAL | | FINISH | APPLICATION SPEC | RESTRICTED TO |
| | | | WEIGHT 0.000000 | SIZE A3 |
| | | | CAGE CODE 00779 | DRAWING NO C=440052 |
| | | | CUSTOMER DRAWING | SCALE 1:1 SHEET 5 of 5 REV C8 |

单击下面可查看定价，库存，交付和生命周期等信息

[>>TE Connectivity\(泰科\)](#)