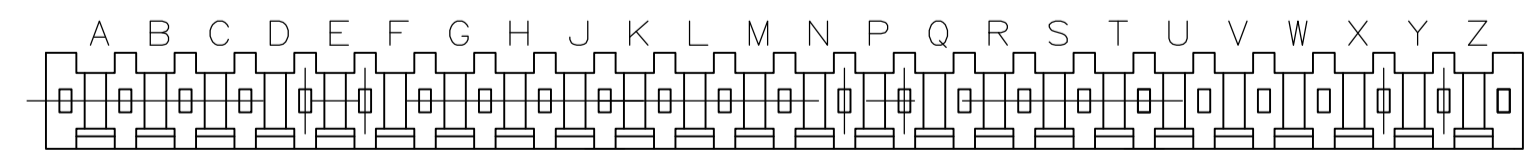
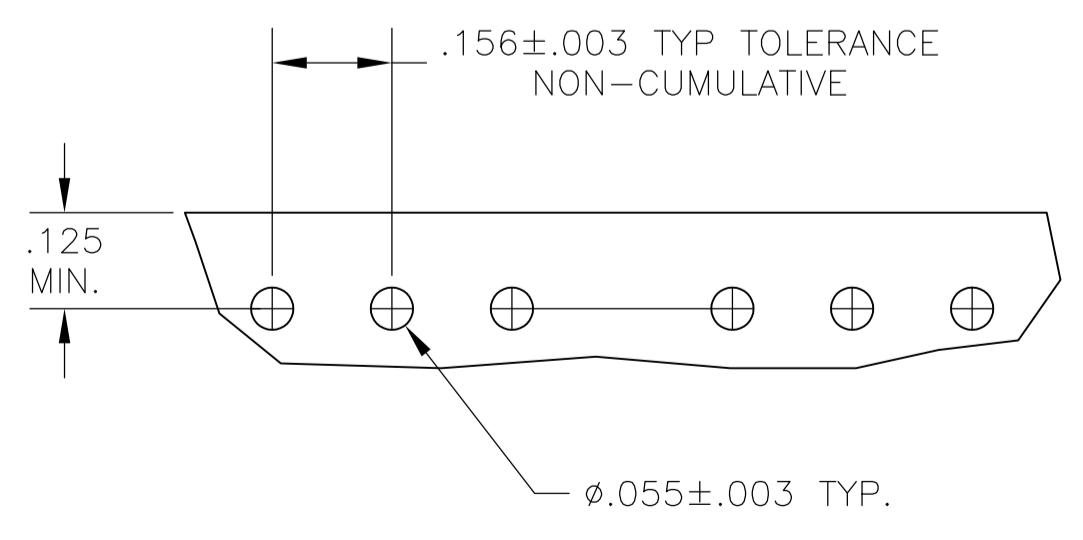
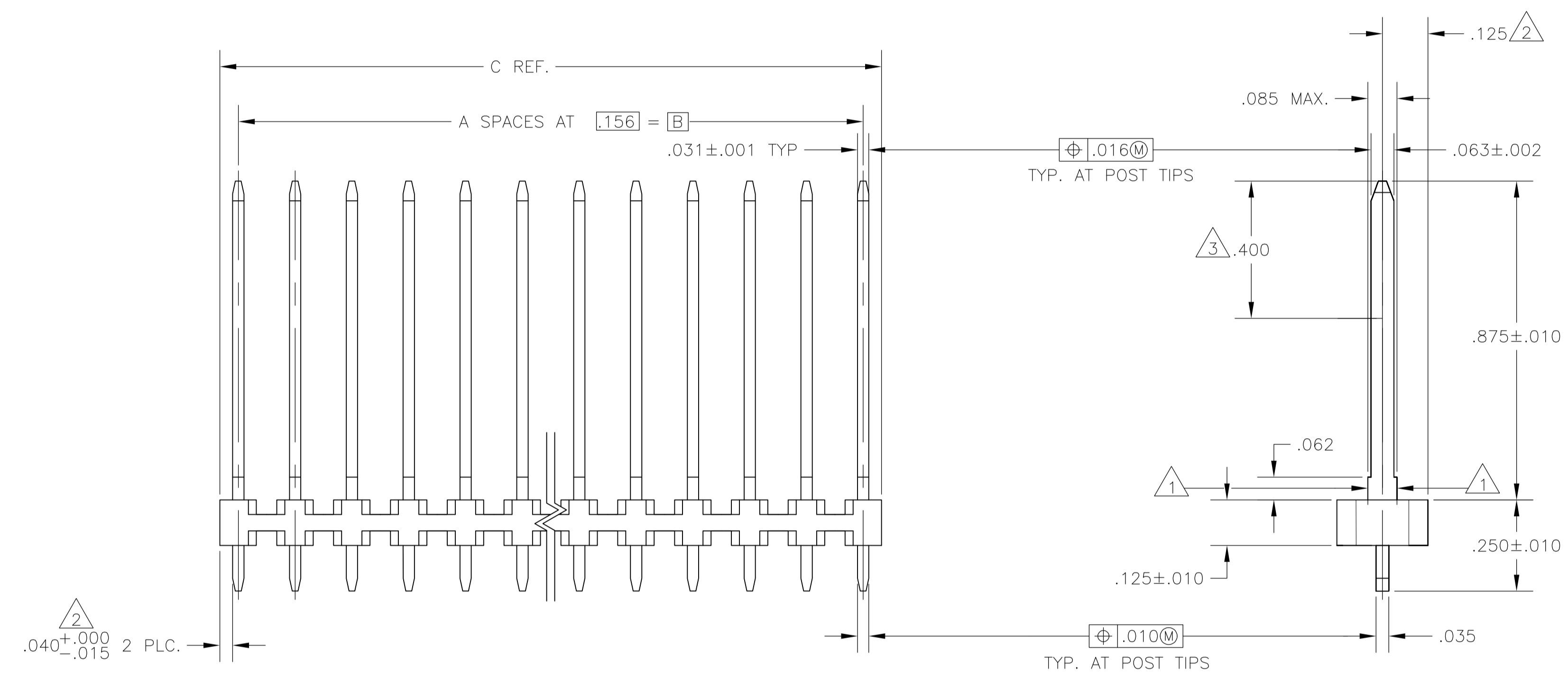


- 1 THESE SURFACES WILL NOT BE PLATED
- 2 THE NOTED DIMENSIONS APPLY AT THE INTERSECTION OF THE POST AND THE HOUSING
- 3 POINT OF MEASUREMENT FOR PLATING THICKNESS
- 4 OBSOLETE PARTS: OBSOLETE CIS STREAMLINING PER D.RENAUD/D.SINISI



KEYWAY LOCATIONS (REF-SEE TABLE)
 (MATING LENGTH OF POST ON NEAR SIDE)
 SCALE: 2:1

OBSOLETE	-	0	5.415	5.304	34	35	3-87113-5
OBSOLETE	-	0	5.259	5.148	33	34	3-87113-4
OBSOLETE	-	0	5.103	4.992	32	33	3-87113-3
OBSOLETE	-	0	4.947	4.836	31	32	3-87113-2
OBSOLETE	-	0	4.791	4.680	30	31	3-87113-1
OBSOLETE	-	0	4.635	4.524	29	30	3-87113-0
OBSOLETE	-	0	4.479	4.368	28	29	2-87113-9
OBSOLETE	-	0	4.323	4.212	27	28	2-87113-8
OBSOLETE	-	0	4.167	4.056	26	27	2-87113-7
OBSOLETE	-	0	4.011	3.900	25	26	2-87113-6
4 OBSOLETE	A,C,E,H,K,M,Q,S,U,W,Y	11	3.855	3.744	24	25	2-87113-5
	A,C,E,G,J,L,N,Q,S,U,W,Y	12	3.699	3.588	23	24	2-87113-4
	A,D,G,K,N,R,U,X	8	3.543	3.432	22	23	2-87113-3
	A,C,E,G,J,L,N,Q,S,U,W	11	3.387	3.276	21	22	2-87113-2
	A,D,G,K,N,R,U	7	3.231	3.120	20	21	2-87113-1
	A,C,E,G,J,L,N,Q,S,U	10	3.075	2.964	19	20	2-87113-0
	B,D,F,J,L,N,Q,S	8	2.919	2.808	18	19	1-87113-9
	A,D,F,J,M,P,S	7	2.763	2.652	17	18	1-87113-8
	A,D,G,K,N,R	6	2.607	2.496	16	17	1-87113-7
	A,C,E,G,J,L,N,Q	8	2.451	2.340	15	16	1-87113-6
	A,D,G,K,N	5	2.295	2.184	14	15	1-87113-5
	A,C,E,G,J,L,N	7	2.139	2.028	13	14	1-87113-4
	A,D,J,M	4	1.983	1.872	12	13	1-87113-3
	A,C,E,G,J,L	6	1.827	1.716	11	12	1-87113-2
	A,D,G,K	4	1.671	1.560	10	11	1-87113-1
A,C,E,G,J	5	1.515	1.404	9	10	1-87113-0	
A,D,G	3	1.359	1.248	8	9	87113-9	
A,C,E,G	4	1.203	1.092	7	8	87113-8	
4 OBSOLETE	A,C,E	3	1.047	.936	6	7	87113-7
	A,C,E	3	.891	.780	5	6	87113-6
	A,D	2	.735	.624	4	5	87113-5
4 OBSOLETE	A,C	2	.579	.468	3	4	87113-4
	A	1	.423	.312	2	3	87113-3
	A	1	.267	.156	1	2	87113-2
	-	0	.111	-	1	1	87113-1

KEYWAY LOCATIONS	NO OF KEYWAY	C	B	A	NO OF POSN	ASSEMBLY PART NUMBER

THIS DRAWING IS A CONTROLLED DOCUMENT.

DIMENSIONS: INCHES

TOLERANCES UNLESS OTHERWISE SPECIFIED:

0 PLC	± .005
1 PLC	± .004
2 PLC	± .003
3 PLC	± .002
4 PLC	± .001

ANGLES: ± .005

MATERIAL: HOUSING - FLAME RETARDANT THERMOPLASTIC, COLOR-BLACK

FINISH: PIPES: .00030 GOLD IN CONTACT OF P.A. GOLD FLASH ON REMAINDER OF POST ALL OVER .00050 NICKEL

WEIGHT: -

APVD: L.A. MAYER 6-9-87

CHK: F. HUBBEN 6-12-87

NAME: Tyco Electronics Corporation Harrisburg, Pa 17105-3608

PRODUCT SPEC: 108-25016

APPLICATION SPEC: -

SIZE: A1

SCALE: 4:1

SHEET 1 OF 1

REV 1

单击下面可查看定价，库存，交付和生命周期等信息

[>>TE Connectivity\(泰科\)](#)