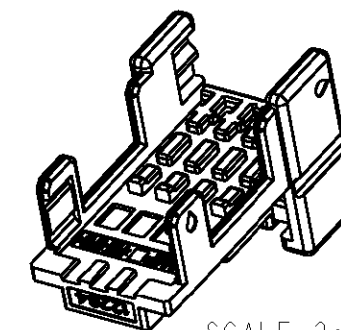
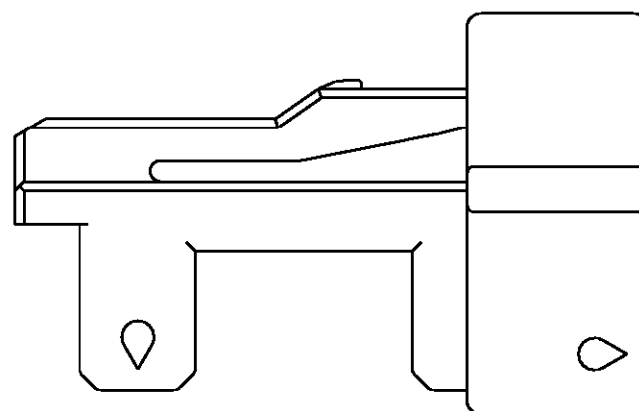
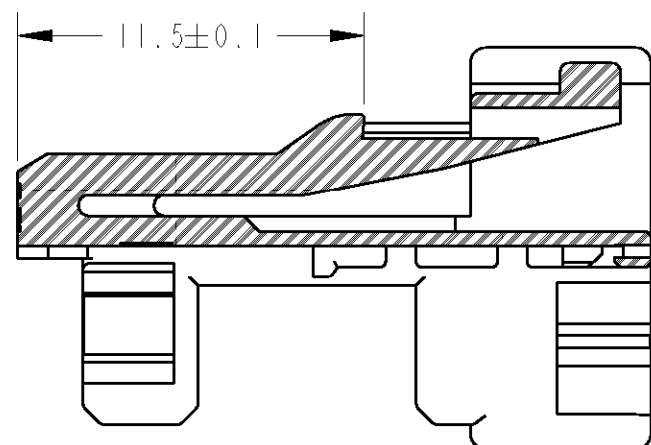
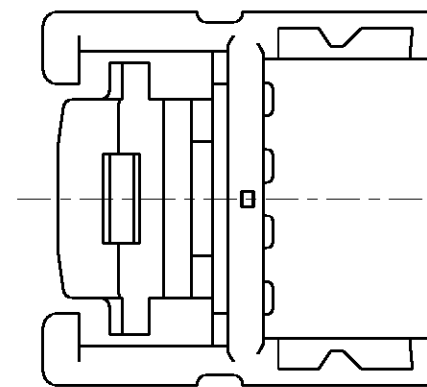
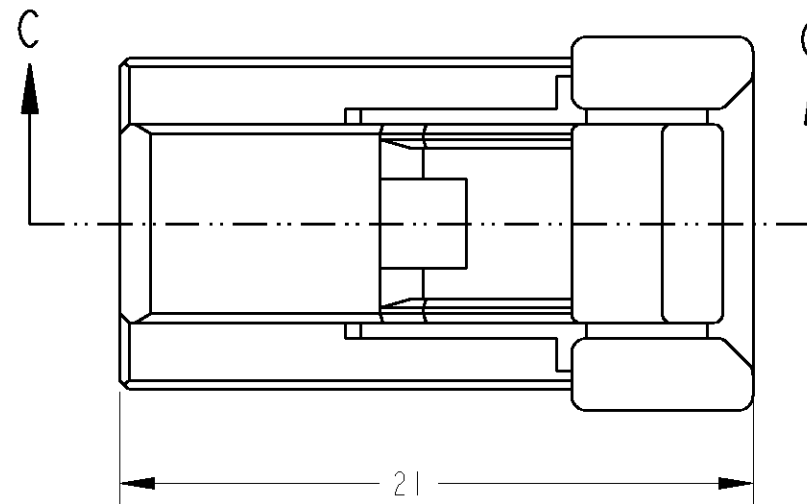
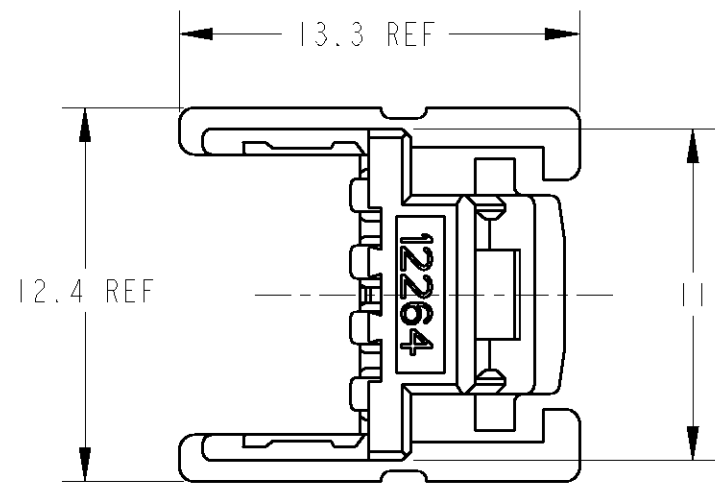


THIS DRAWING IS UNPUBLISHED. RELEASED FOR PUBLICATION 20
 © COPYRIGHT 20 BY TYCO ELECTRONICS CORPORATION. ALL RIGHTS RESERVED.

LOC	DIST	REVISIONS						
		P	LTR	DESCRIPTION	ECN	DATE	DWN	APVD
J		0		RELEASED	FJ00-2067-01	10OCT2001	SA	NS



SCALE 2:1

- 1. 本品はプラグハウジング型番 1473800を装着して使用する。
- 2. 取扱説明書; 411-5912
- 3. 嵌合相手型番; 1473793, 1376350

- 1. PLUG HOUSING MUST BE USED WITH PLUG HOUSING P/N:1473800
- 2. INSTRUCTION SHEET No;411-5912
- 3. PART NUMBER OF HOUSINGS TO BE MATED ;1473793, 1376350

C-C

NATURAL	1473802-1
HOUSING COLOR	PART NUMBER

THIS DRAWING IS A CONTROLLED DOCUMENT FOR TYCO ELECTRONICS CORPORATION IT IS SUBJECT TO CHANGE AND THE CONTROLLING ENGINEERING ORGANIZATION SHOULD BE CONTACTED FOR THE LATEST REVISION.		DWN S. AMEMIYA	10OCT2001	AMP Tyco Electronics AMP K.K. Kawasaki, Japan
DIMENSIONS: 単位: 英 mm		CHK N. SAI	10OCT2001	
TOLERANCES UNLESS OTHERWISE SPECIFIED: 一般公差; ±0.3		APVD N. SAI	10OCT2001	NAME 名称 8POSITION LOCK HOUSING 025 IDC CONNECTOR
0-PLC ± 1-PLC ±0.1 2-PLC ±0.01 3-PLC ±0.001 4-PLC ±0.0001 ANGLES ±3'00"		PRODUCT SPEC 製品規格 108-5660	APPLICATION SPEC 取付適用規格 114-5276	
MATERIAL 材料 PBT	FINISH 仕上 SEE TABLE	WEIGHT 1 g	SIZE A3	CAGE CODE 00779
CUSTOMER DRAWING			DRAWING NO 番号 C-1473802	RESTRICTED TO
			SCALE 尺度 4:1	SHEET OF 1
				REV 0

单击下面可查看定价，库存，交付和生命周期等信息

[>>TE Connectivity\(泰科\)](#)