

LOC
A1

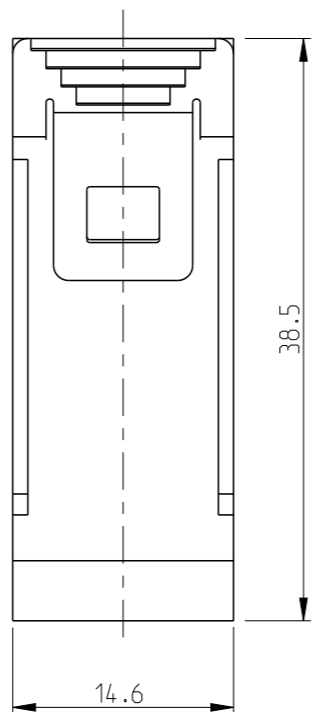
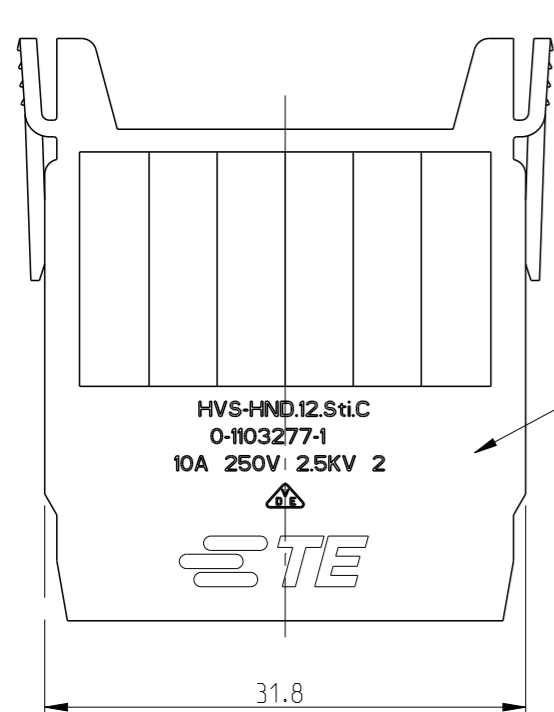
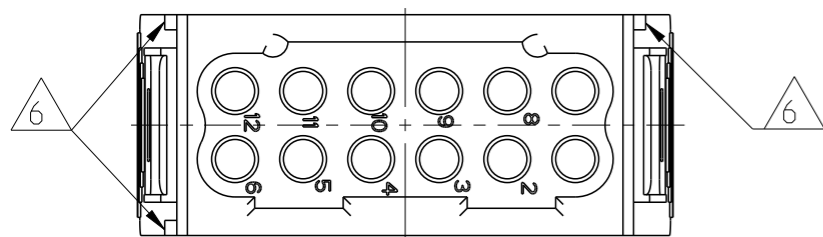
DIST

REVISIONS

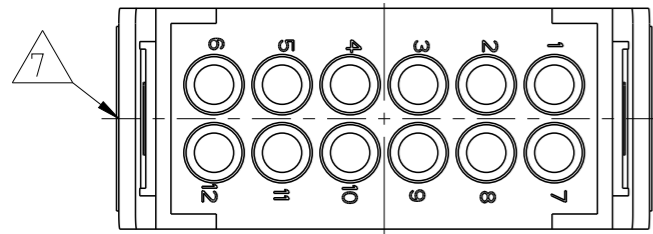
P	LTR	DESCRIPTION	DATE	DWN	APVD
	C	ECR-15-007608	30MAY2015	GSK	JB

PN 0-1 As Shown

Contact arrangement
view from connecting side



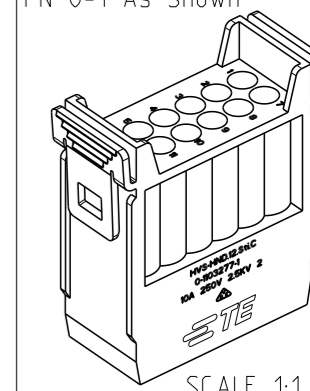
Contact arrangement
view from termination side



NOTES

- SUITABLE CRIMP CONTACTS: SERIES HN.D
CUSTOMER DRAWING: 1105051
OUTER DIMENSIONS OF INSULATION: MAX. Ø4mm
- SUITABLE MODULE FIXING FRAME: SERIES HVS SIZE 3 TO 8
CUSTOMER DRAWING: 1103250
- SUITABLE INSERTION TOOL:
CUSTOMER DRAWING: 1102855
- SUITABLE EXTRACTION TOOL:
CUSTOMER DRAWING: 1102855
- STANDARDS:
DIN EN 61984; DIN EN 60664-1
- POLARIZATION RIPS
- MARKING OF POLARIZATION ACCORDING TO MARKING OF MODULE FRAME
- PACKAGING:
10 PIECES IN A CARTON

PN 0-1 As Shown



SCALE 1:1

QTY	DESCRIPTION	MATERIAL	COLOR	ITEM NO
1	MALE INSERT	PBT-GF10	LIGHT GREY	1
PN 0-1 / HVS-HND.12.Sti.C				

THIS DRAWING IS A CONTROLLED DOCUMENT.		DWN SCHNEIDER 20.02.2006	TE Connectivity	
DIMENSIONS: mm		CHK A.GAST 20.02.2006		
TOLERANCES UNLESS OTHERWISE SPECIFIED: ISO 8075 DIN ISO 2768 mH-E DIN 16901-120		APVD T.SCHNURPFIL 20.02.2006	NAME MALE INSERT HVS-HND.12.STI.C	
 0 PLC ± 1 PLC ± 2 PLC ± 3 PLC ± 4 PLC ± ANGLES ±		PRODUCT SPEC 108-74083	SIZE A3	CAGE CODE 00779
MATERIAL		APPLICATION SPEC 114-74085	DRAWING NO C-1103277	RESTRICTED TO
FINISH		WEIGHT	SCALE 2:1	
		CUSTOMER DRAWING		SHEET 1 OF 1
		REV C		

单击下面可查看定价，库存，交付和生命周期等信息

[>>TE Connectivity\(泰科\)](#)