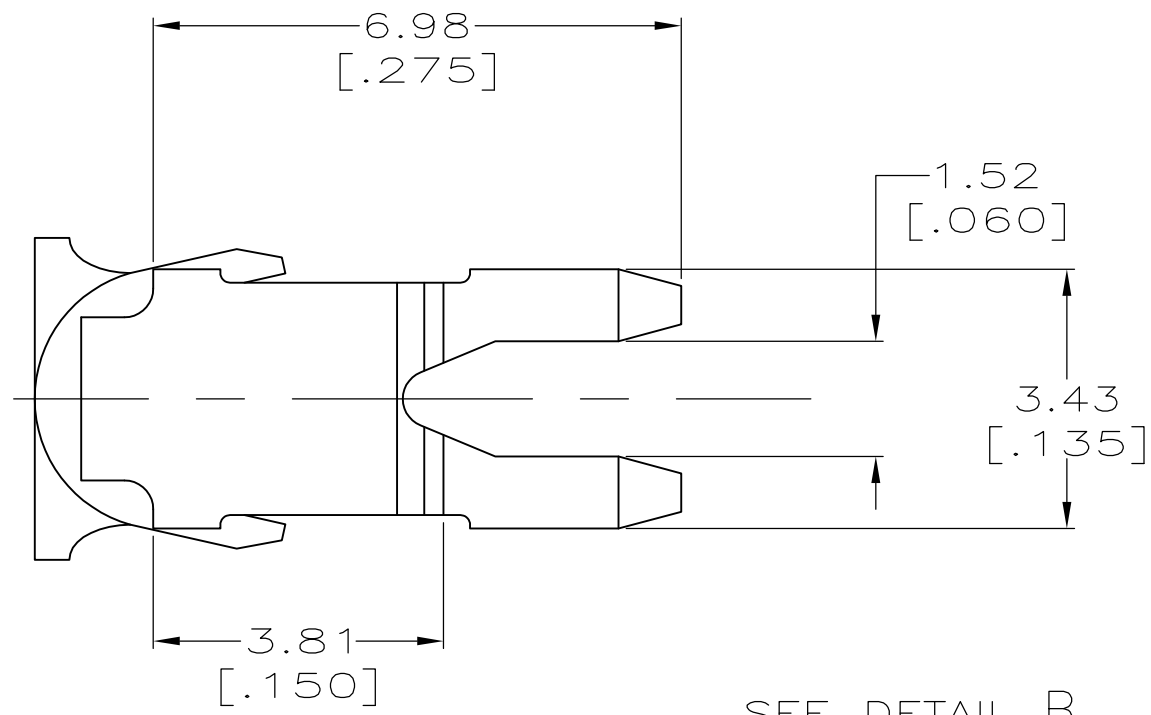
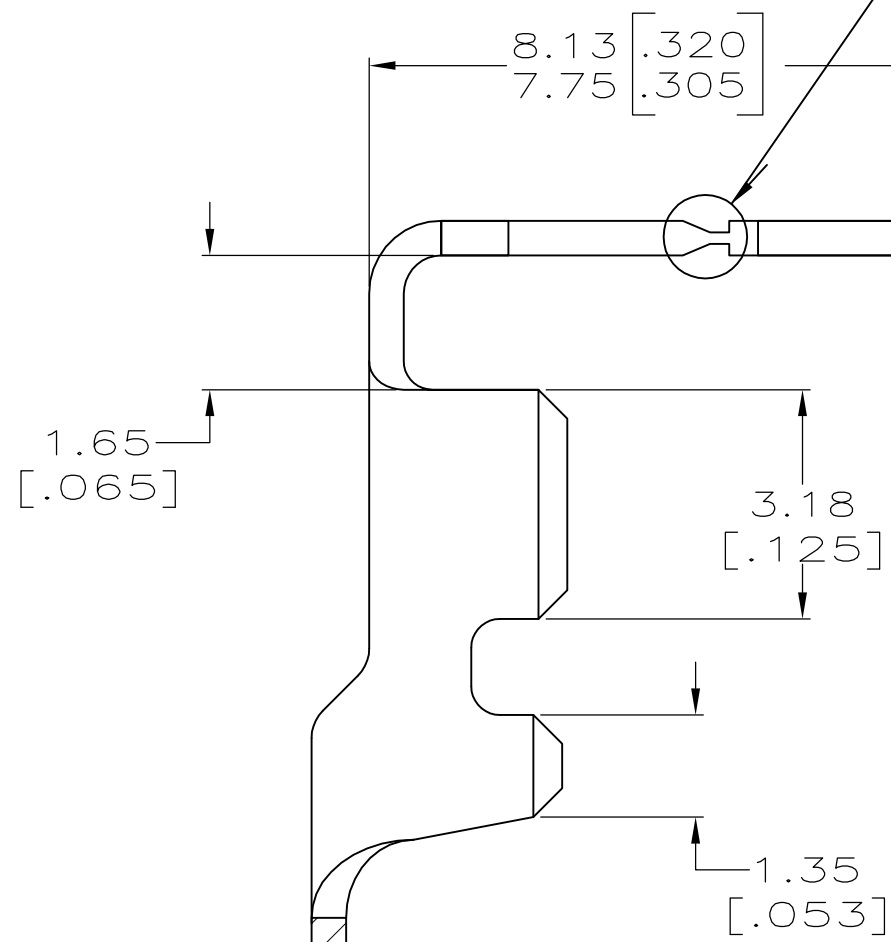


THIS DRAWING IS UNPUBLISHED. RELEASED FOR PUBLICATION
 © COPYRIGHT - By - ALL RIGHTS RESERVED.

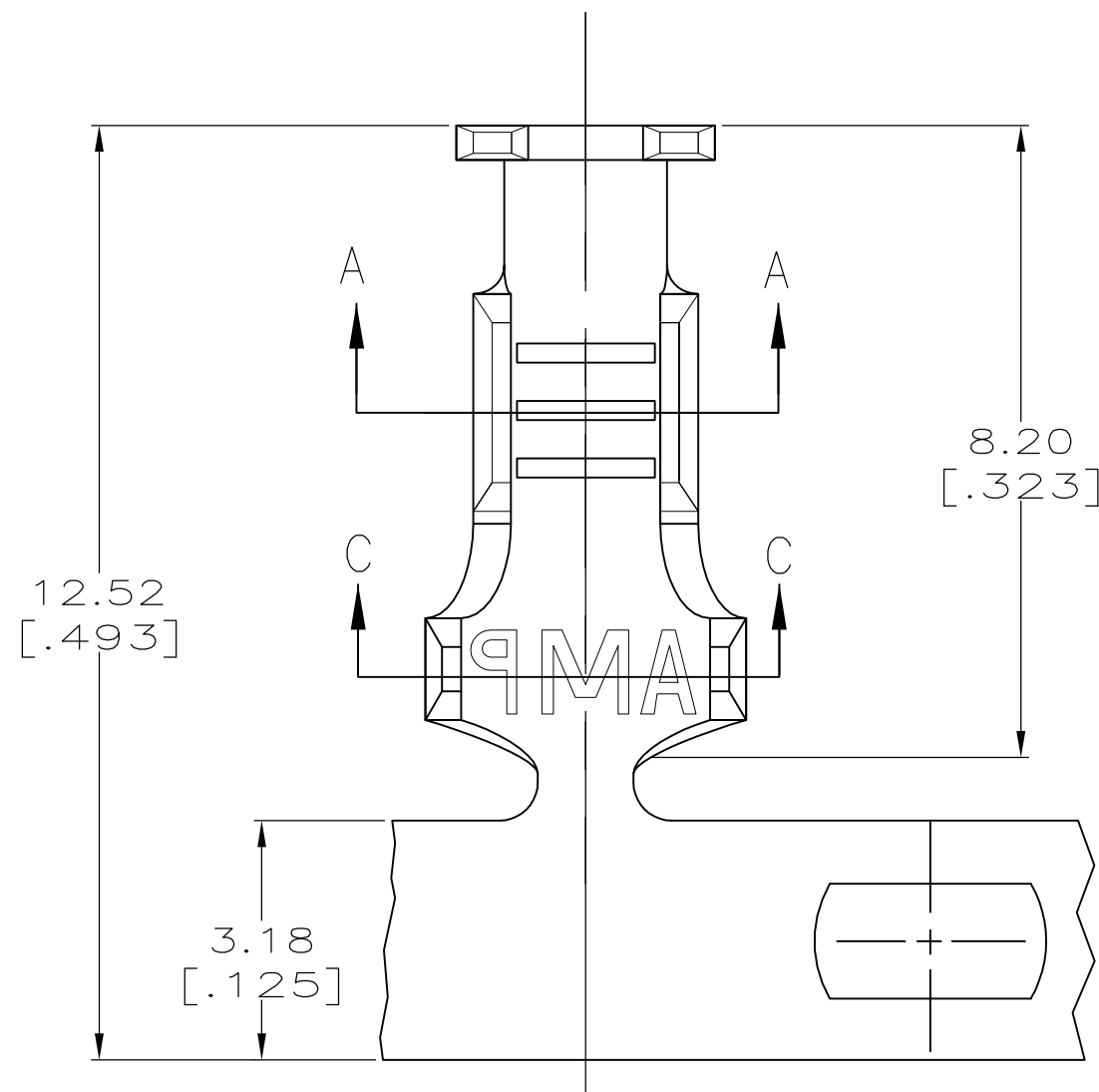
LOC		DIST		REVISIONS			
P	LTR	DESCRIPTION		DATE	DWN	APVD	
AF	50	M1	ECR-13-017177	05NOV13	PKS	RRP	



SEE DETAIL B

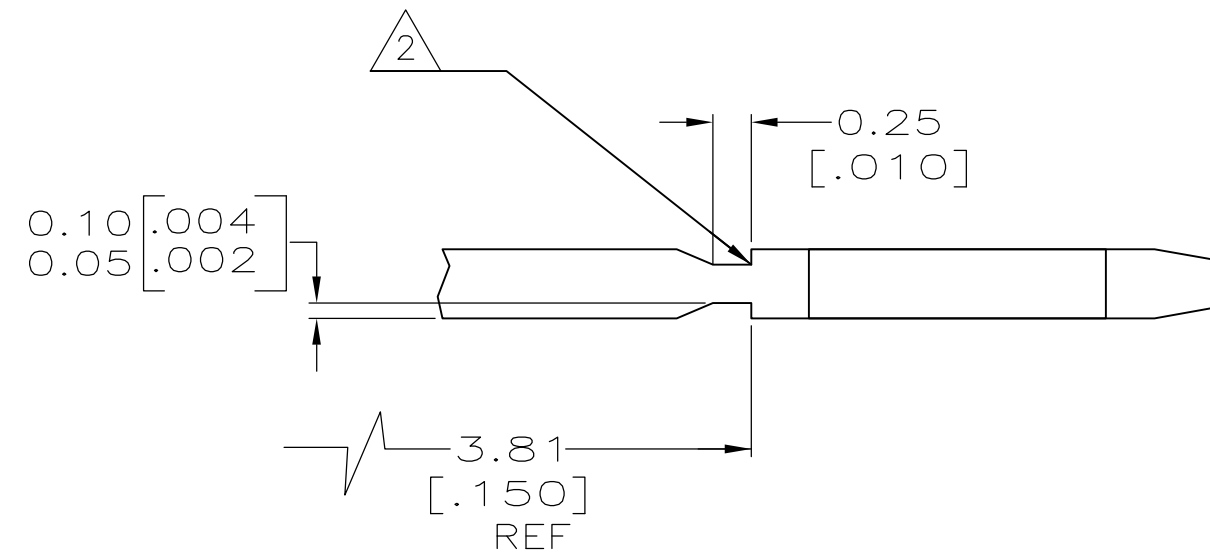


0.457 ± 0.025
[.018 ± .001]

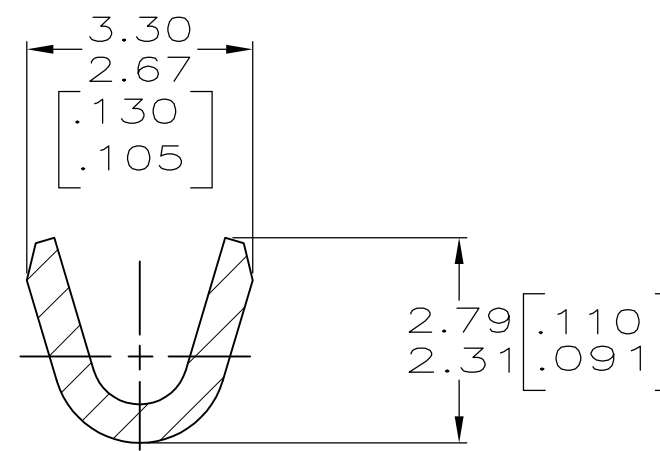


1 CONTINUOUS STRIP ON REELS

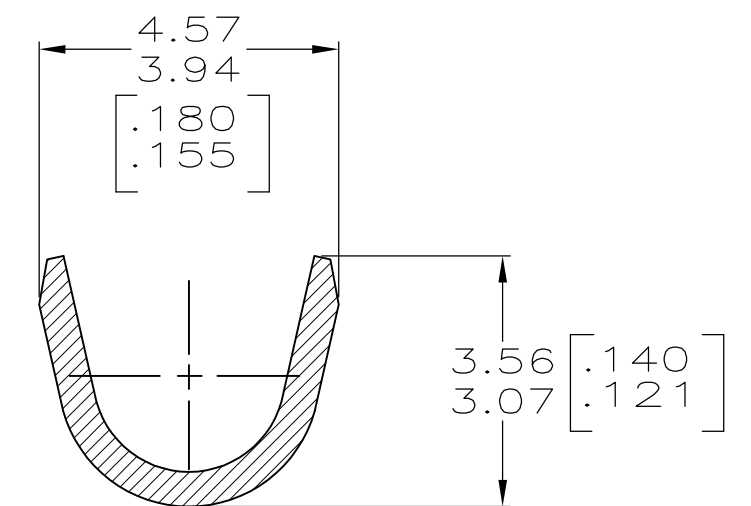
2 FOR OPTIMUM RETENTION IN POKE-IN TYPE MAG-MATE TERMINALS, THE SERRATION AS SHOWN MUST BE ENGAGED WITH THE EDGE OF THE LEAF



DETAIL B
SCALE 20:1



SECTION A-A



SECTION C-C

1.52-2.54 [.060-.100] DIA	0.3-0.8mm ² [#22-#18]	62896-1
INSULATION RANGE	WIRE RANGE	PART NUMBER

THIS DRAWING IS A CONTROLLED DOCUMENT.		DWN R.GRZYBOWSKI 30JUL96	TE TE Connectivity	
DIMENSIONS: mm [INCHES]		CHK M.S.FEHER 30JUL96		
TOLERANCES UNLESS OTHERWISE SPECIFIED:		APVD G.PORTA 30JUL96	NAME	
0 PLC ± -	1 PLC ± -	PRODUCT SPEC 108-22045	TAB, POKE-IN, MAG-MATE™	
2 PLC ± 0.25[.010]	3 PLC ± -	APPLICATION SPEC 114-2050	SIZE A2	CAGE CODE 00779
4 PLC ± -	ANGLES ± -	FINISH TIN PLATE	DRAWING NO C=62896	RESTRICTED TO -
MATERIAL BRASS	FINISH TIN PLATE	WEIGHT -	SCALE 10:1	SHEET 1 OF 1
CUSTOMER DRAWING		REV M1		

单击下面可查看定价，库存，交付和生命周期等信息

[>>TE Connectivity\(泰科\)](#)