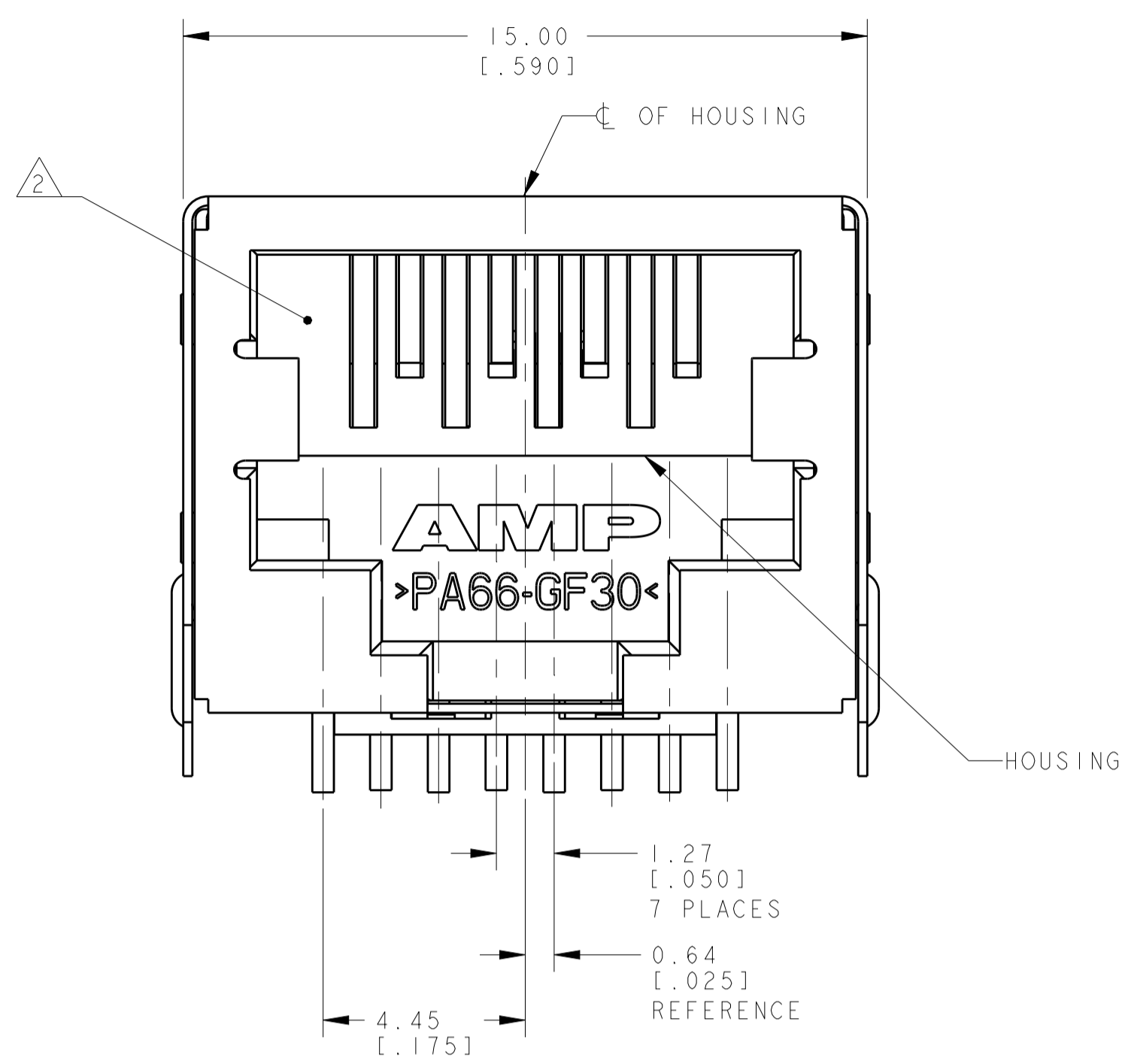
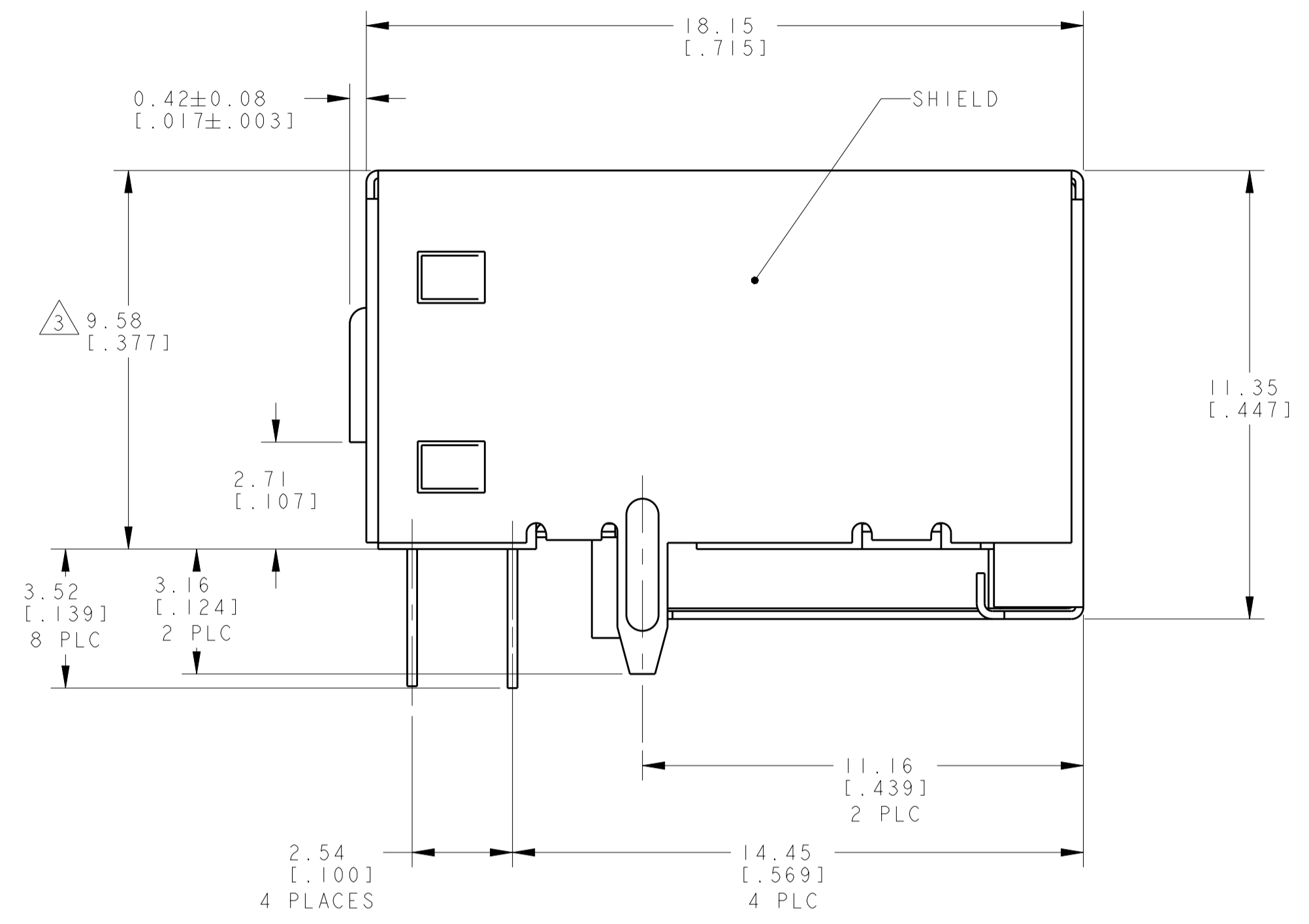
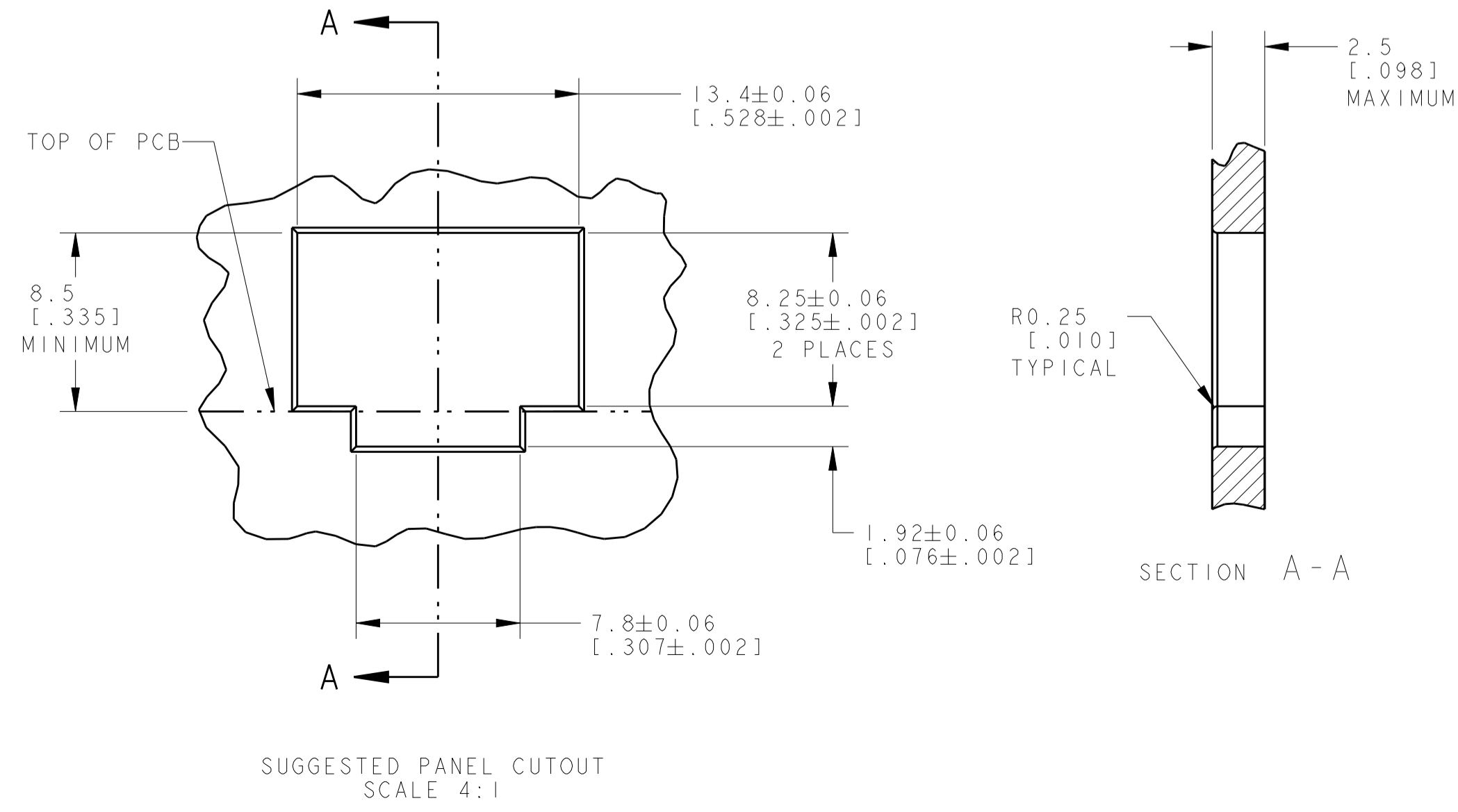
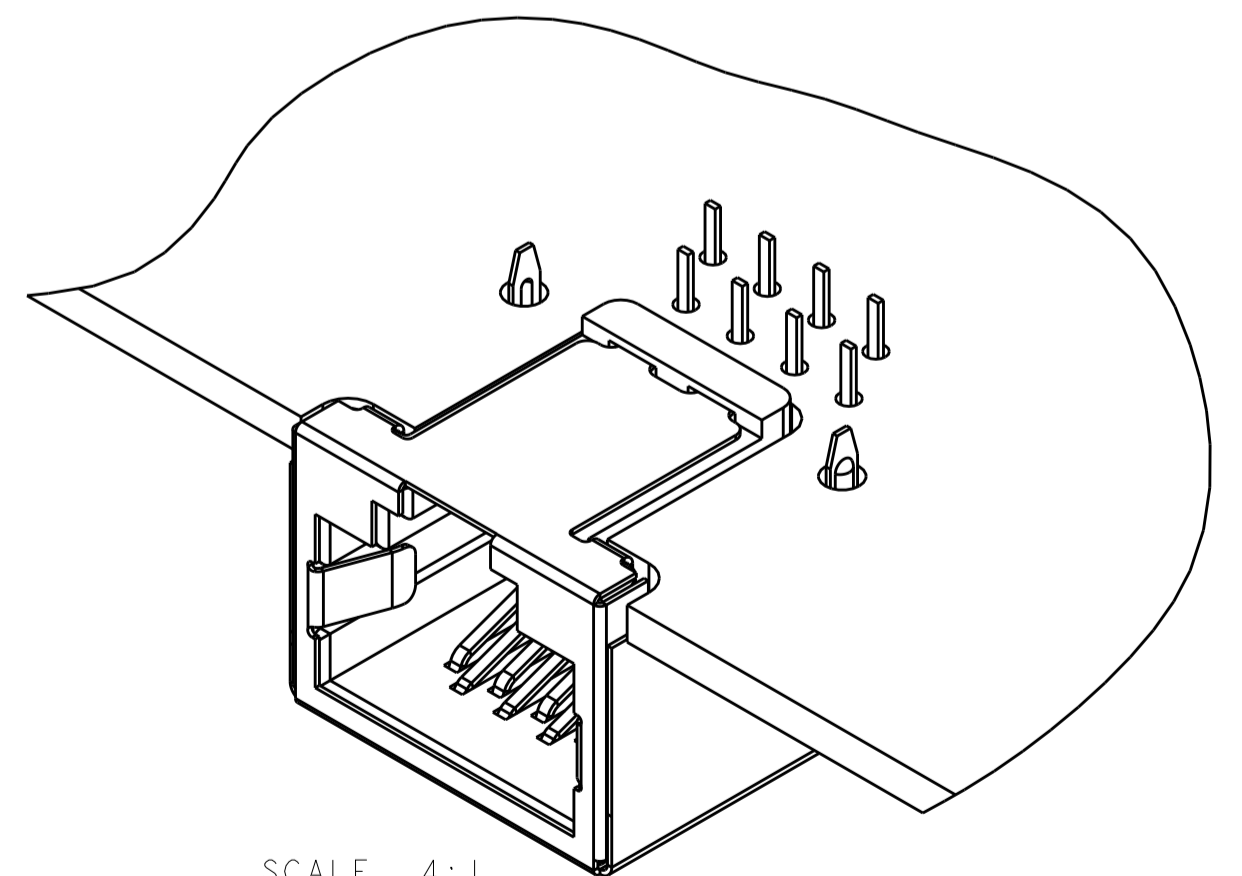
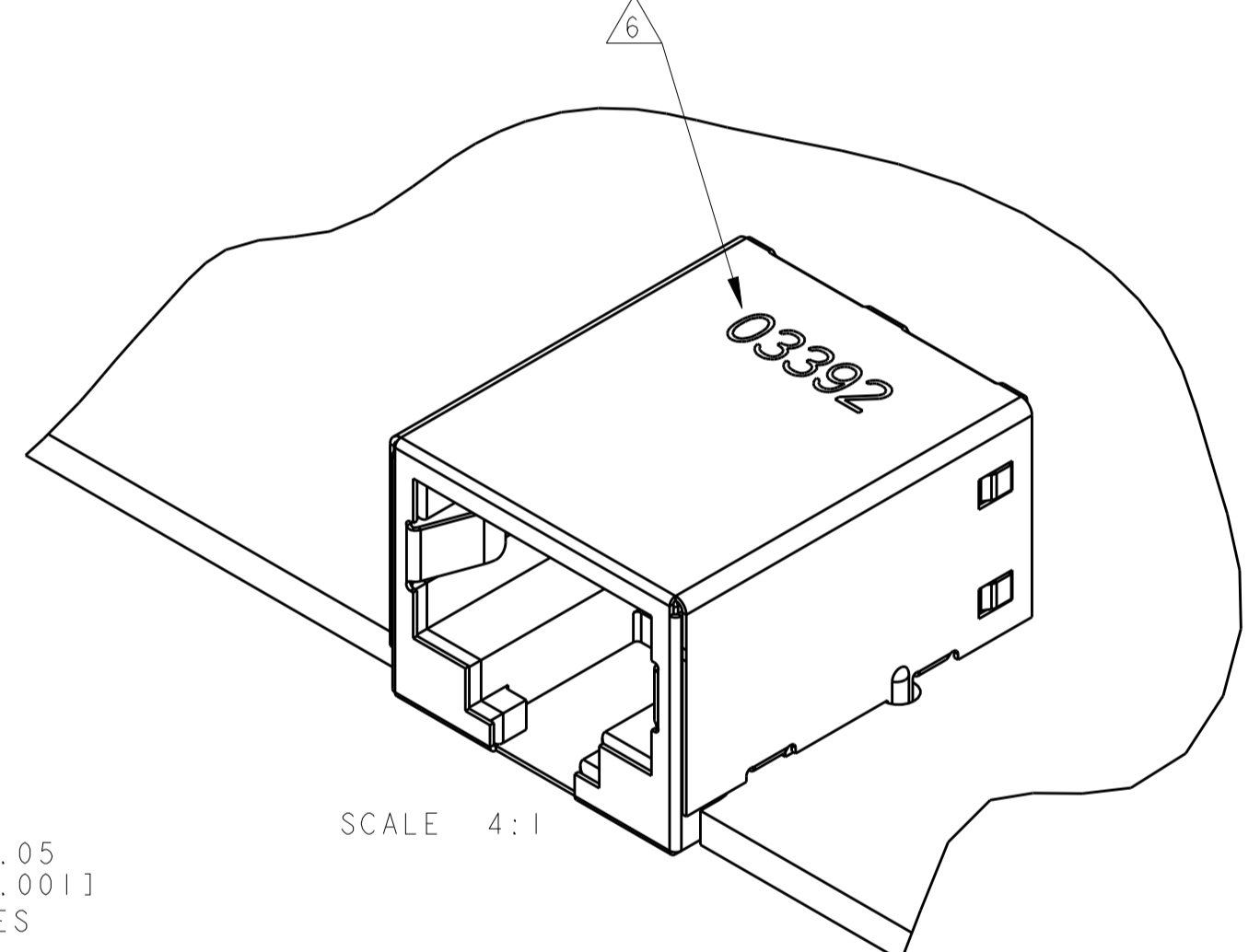
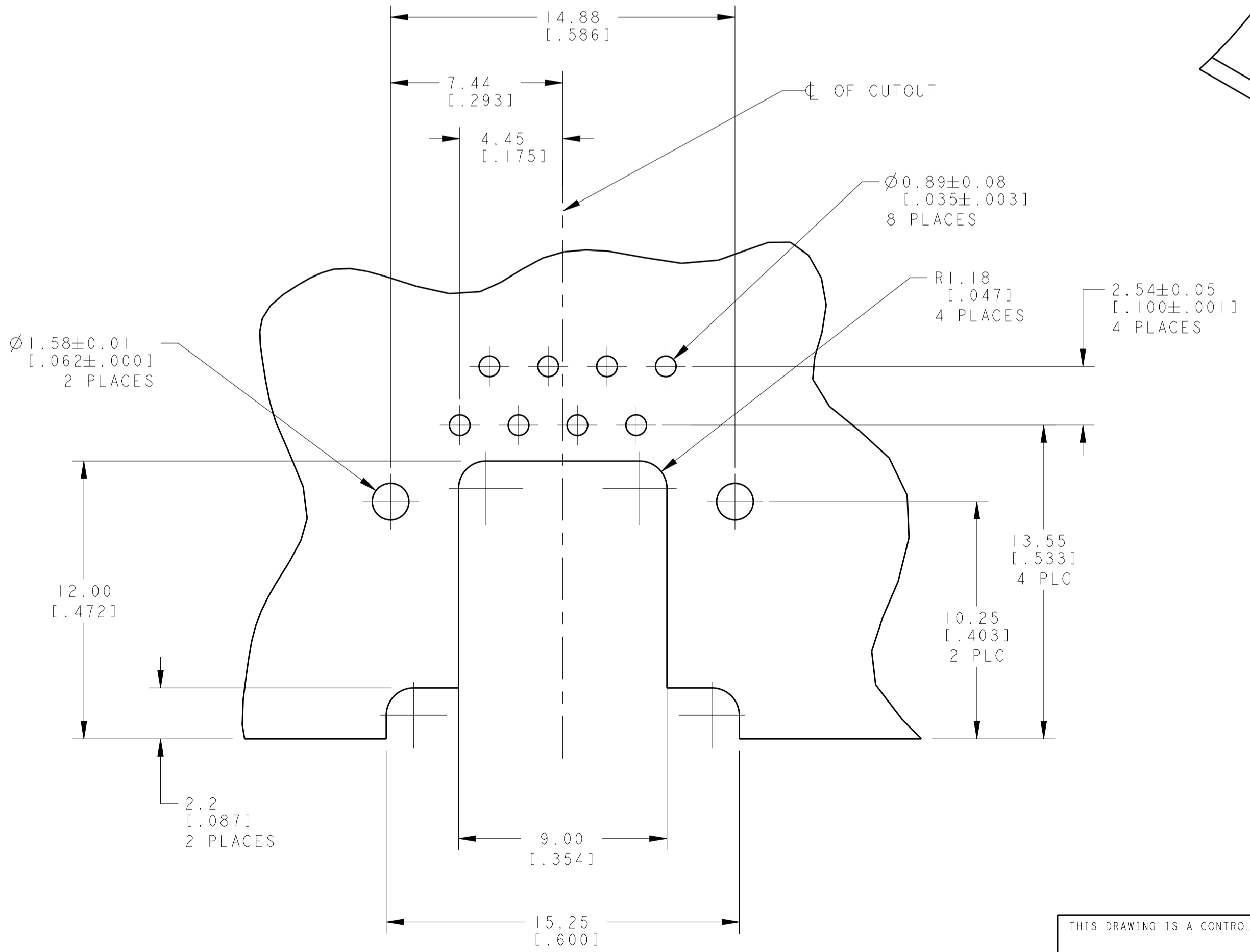
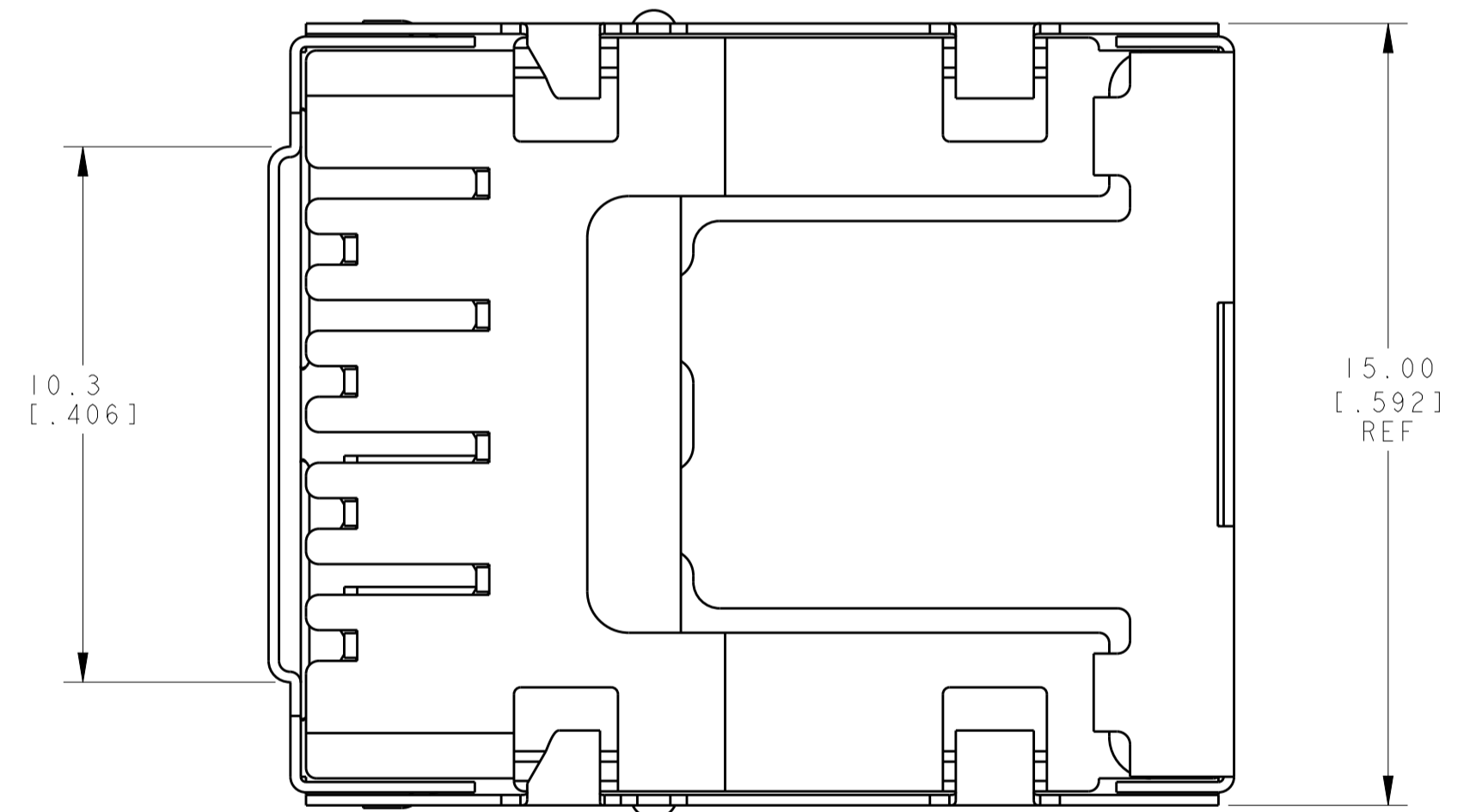


REVISIONS				
P	LTN	DESCRIPTION	DATE	OWN APVD
J	ECO-14-015233		27APR2015	LL SH



- 1 MATERIAL: HOUSING - HIGH TEMPERATURE NYLON, BLACK, UL 94V-0. TERMINALS - 0.25[.010] THICK PHOSPHOR BRONZE PLATED WITH 3.81µm[.000150] MINIMUM THICK BRIGHT TIN-LEAD IN SOLDER AREA, 1.27µm[.000050] MINIMUM GOLD IN LOCALIZED PLATE AREA. ENTIRE TERMINAL PLATED WITH 1.27µm[.000050] MINIMUM THICK NICKEL. SHIELD - 0.21[.0079] THICK COPPER ZINC ALLOY, PREPLATED WITH 2.03µm[.000080] MIN THICK BRIGHT TIN OVER 1.27µm [0.000050] MIN THICK NICKEL
- 2 JACK CAVITY CONFORMS TO FCC RULES AND REGULATIONS PART 68, SUBPART F.
- 3 THIS DIMENSION REPRESENTS THE TOTAL HEIGHT OF THE CONNECTOR FROM THE TOP OF THE PC BOARD.
- 4 PACKAGED 66 ASSEMBLIES PER PVC TRAY, 396 PER BOX.
- 5 DIELECTRIC WITHSTANDING VOLTAGE BETWEEN SHIELD AND TERMINAL IS 1500 VAC
- 6 MANUFACTURING DATE CODE: ORIENTED AND LOCATED APPROXIMATELY AS SHOWN. LASER PRINTING. TEXT HEIGHT APPROXIMATELY 2MM. FIRST 2 DIGITS = LAST 2 DIGITS OF YEAR NEXT 2 DIGITS = MANUFACTURING WORK WEEK LAST DIGIT = DAY OF WEEK WITH SUNDAY = 1
- 7 MATERIAL: HOUSING - HIGH TEMPERATURE NYLON, BLACK, UL 94V-0. TERMINALS - 0.25[.010] THICK PHOSPHOR BRONZE PLATED WITH 3.81µm[.000150] MINIMUM THICK MATTE TIN IN SOLDER AREA, 1.27µm[.000050] MINIMUM GOLD IN LOCALIZED PLATE AREA. ENTIRE TERMINAL PLATED WITH 1.27µm[.000050] MINIMUM THICK NICKEL. SHIELD - 0.21[.0079] THICK COPPER ZINC ALLOY, PREPLATED WITH 2.03µm[.000080] MIN THICK BRIGHT TIN OVER 1.27µm [0.000050] MINIMUM THICK NICKEL



SUGGESTED PRINTED CIRCUIT BOARD LAYOUT COMPONENT SIDE SCALE 6:1

406732-2
406732-1
MATERIAL/FINISH
PART NUMBER

THIS DRAWING IS A CONTROLLED DOCUMENT.		OWN L. VARSIK 14FEB01	406732-2
DIMENSIONS: mm [ INCHES ]		CHK L. VARSIK 14FEB01	406732-1
TOLERANCES UNLESS OTHERWISE SPECIFIED:		APVD L. VARSIK 14FEB01	MATERIAL/FINISH
0 PLC ±	PRODUCT SPEC	NAME	TE Connectivity
1 PLC ±	108-1163	MODULAR JACK ASSEMBLY,	
2 PLC ±	APPLICATION SPEC	8 POSITION, SHIELDED, 10mm, WITHOUT	
3 PLC ±	114-2048	PANEL TABS, WITHOUT POSTS	
4 PLC ±	RESTRICTED TO		
ANGLES ±	SIZE	114-2048	
MATERIAL SEE NOTE 1	FINISH SEE NOTE 1	WEIGHT 3.4 grams	A100779C=406732
CUSTOMER DRAWING		SCALE 8:1	SHEET 1 OF 1 REV J

单击下面可查看定价，库存，交付和生命周期等信息

[>>TE Connectivity\(泰科\)](#)