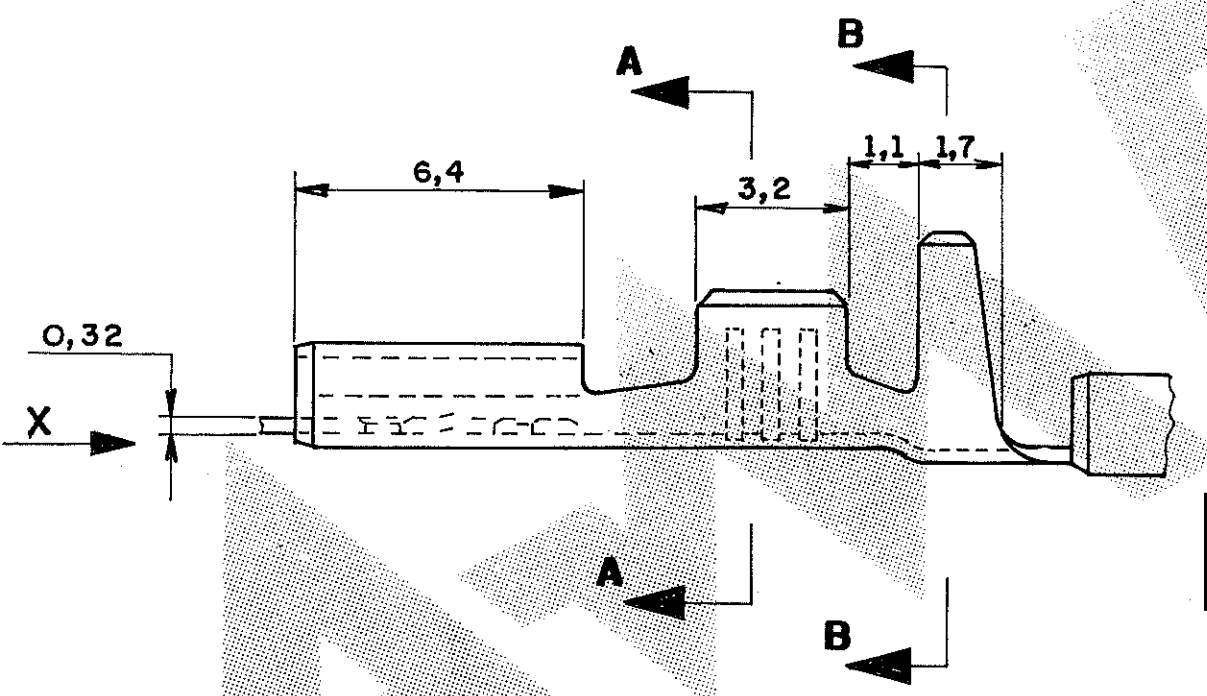
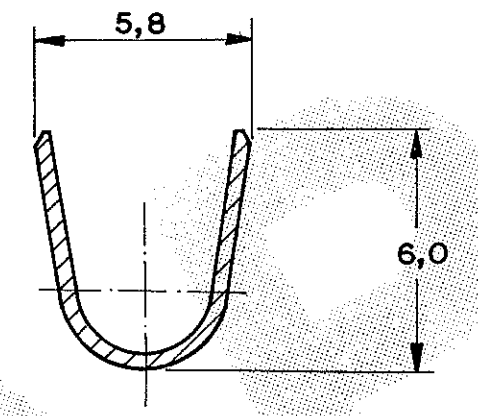
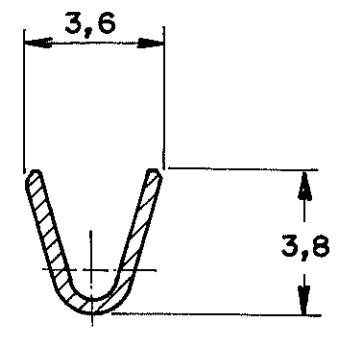
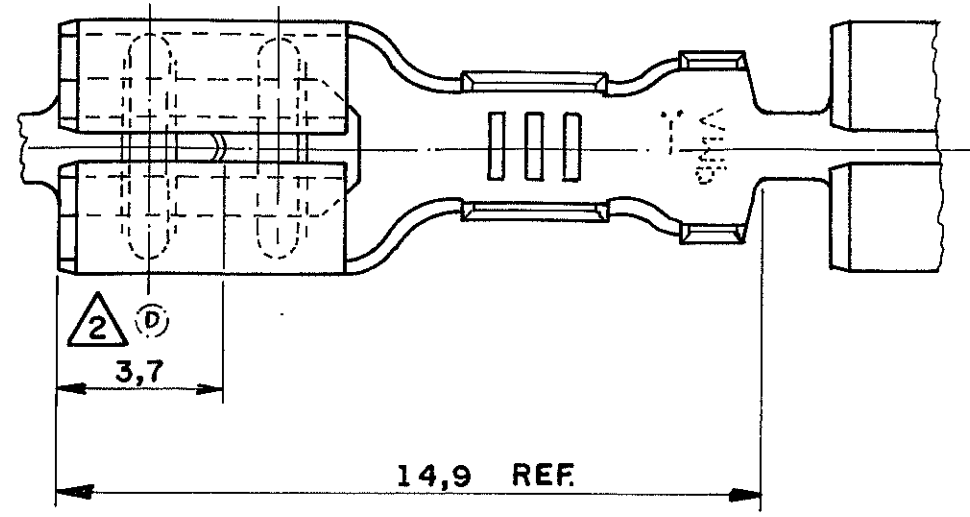
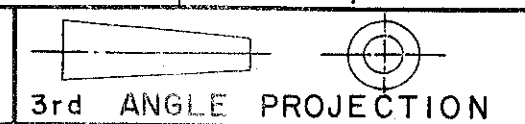


C 881624

DO NOT SCALE
DIMENSIONS IN

METRIC

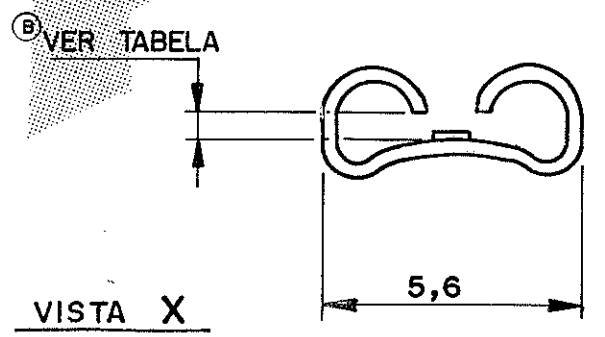


3
OBSOLETE

- ① - PEÇA SOLTA - VER DESENHO 444 202
- LOOSE PIECE - SEE DWG. 444 202.
- ② LOCALIZAÇÃO DO DIMPLE - 3,0 mm. PARA O PN- 881624-8.
DIMPLE LOCATION - 3,0mm. FOR PN-881624-8
- ③ OBSOLETE PARTS: OBSOLETE CIS STREAMLINING PER D.RENAUD/D.SINISI

FINISH	MATERIAL	PART NUMBER
0,8 mm	LATÃO	- 8
ESTANHADO	LATÃO	- 7
0,5 mm	LATÃO	- 6
OBSOLETO ③	LATÃO	- 5
OBSOLETO ③	LATÃO	- 4
ESTANHADO	BRONZE FOSF.	- 3
ESTANHADO	LATÃO	- 2
0,8 mm	LATÃO	- 1

CUSTOMER DWG for REFERENCE ONLY				THIS DRAWING IS UNPUBLISHED RELEASED FOR PUBLICATION		
E1 REVISED PER ECO-09-026444				© COPYRIGHT 19 BY AMP DO BRASIL LTDA S.P. ALL INTERNATIONAL RIGHTS RESERVED AMP PRODUCTS MAY BE COVERED BY U.S. AND FOREIGN PATENTS AND/OR PATENTS PENDING.		
E REACTIVED -1 BY LE10-360-04	KK	AEG	30NOV09	TOLERANCES UNLESS OTHERWISE STATED	INS. DIA. RANGE	WIRE RANGE 2
D1 REVISED BY EC 0413/01	H.C.	H.C.	05Nov04	DEC. ± 0,3	2,7 - 4,0mm	>1,0 - 2,5mm
D REVISED BY EC	H.C.	WLS.	11Feb-98	ANGLES ± 1°	SCALE //	
C1 REVISED BY EC-344/98	H.C.	MFG	30.Jul.98	AMP do BRASIL LTDA. São Paulo,, Brasil		
C REVISED BY	H.C.	0283/94	22.Jul.94	DESCRIPTION		
B ADICIONADO TRAÇO 6 E 7	PF	ECN 3607	11.01-93	.187 SERIES FASTON REC.		
A ADICIONADO TRAÇO 4 E 5	Briz	ECN 5490	22.10-92	A3 DWG NO C 881624 SHEET 1 OF 1		
O ERA P90-29507	DORI		01-04-91			
ISS REVISION RECORD	DR	CHK	DATE	APP.		



单击下面可查看定价，库存，交付和生命周期等信息

[>>TE Connectivity\(泰科\)](#)