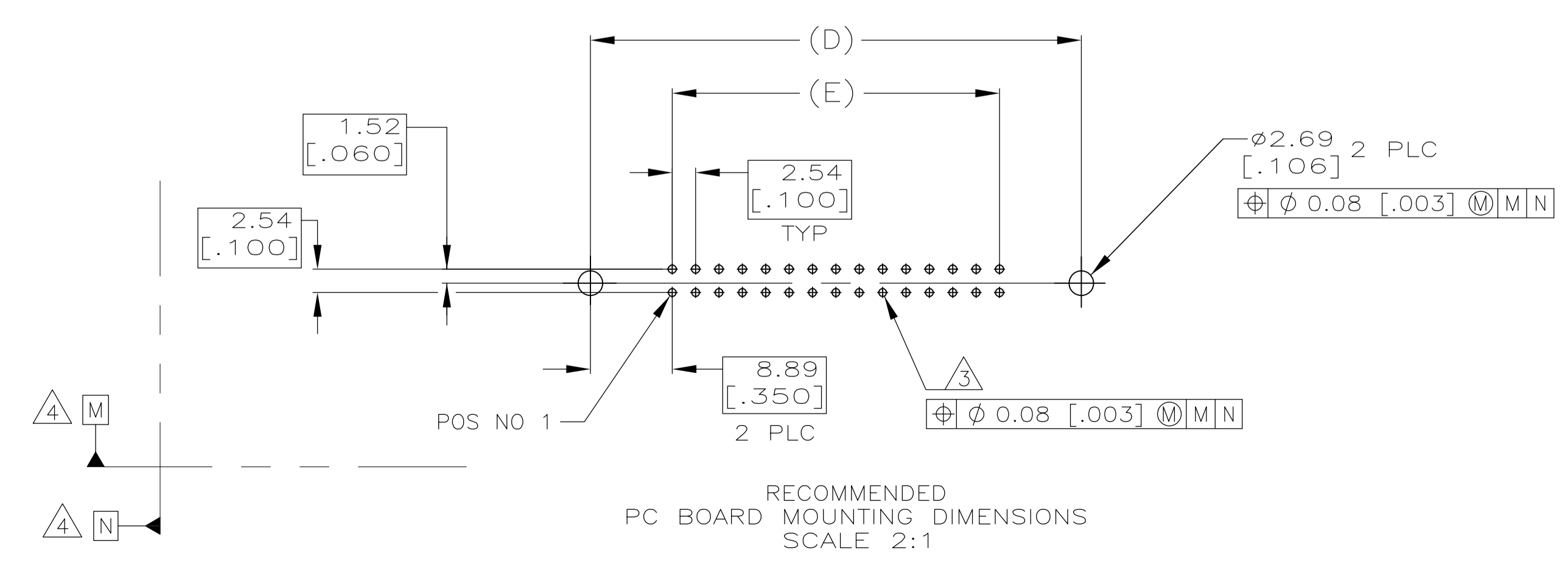
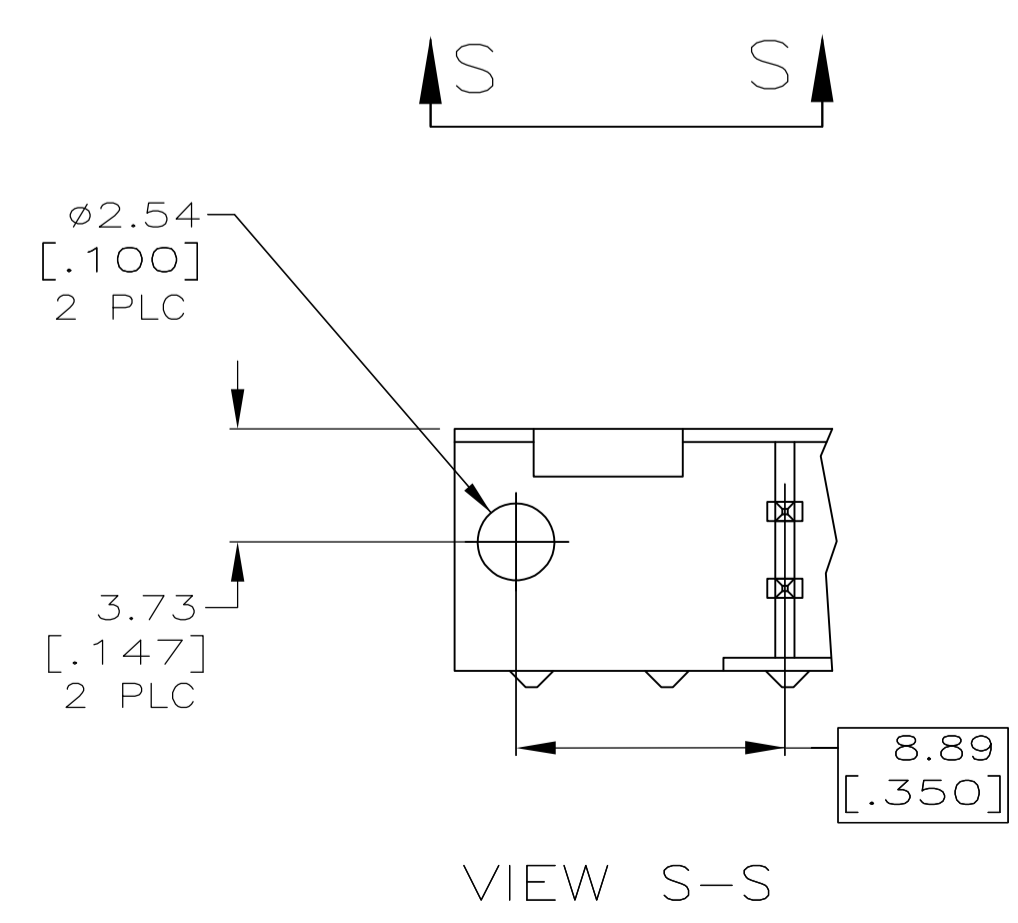
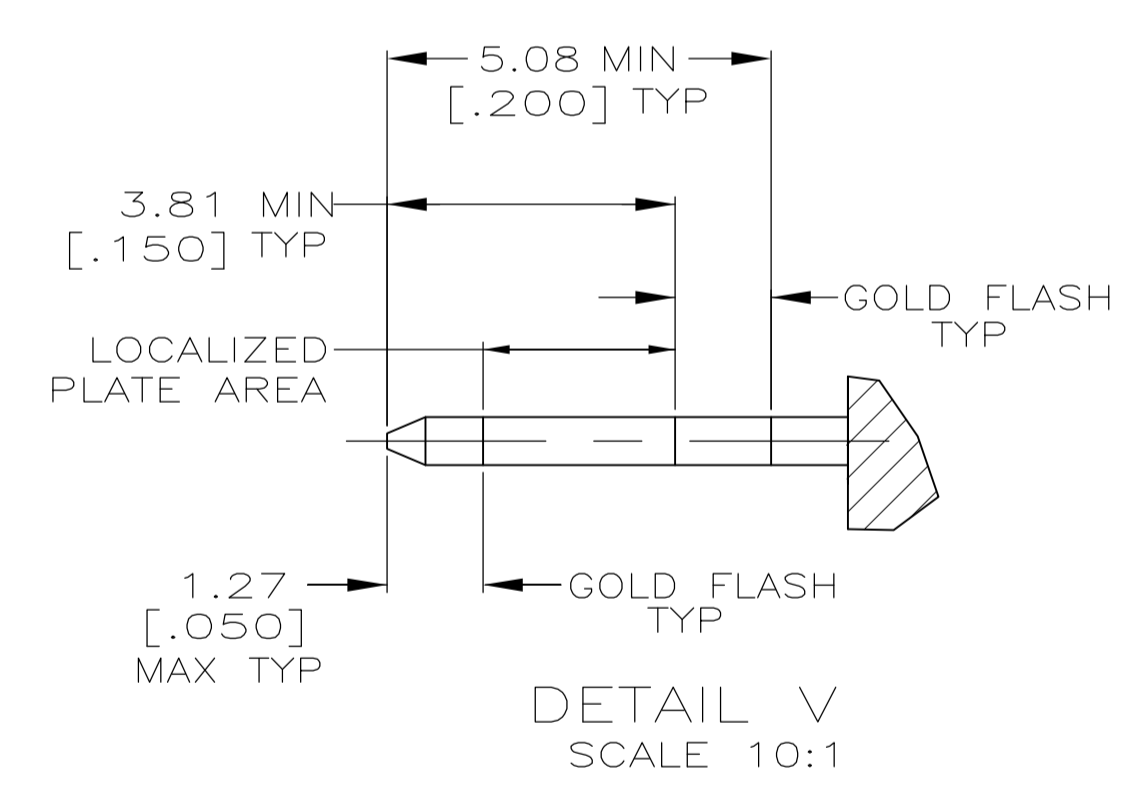
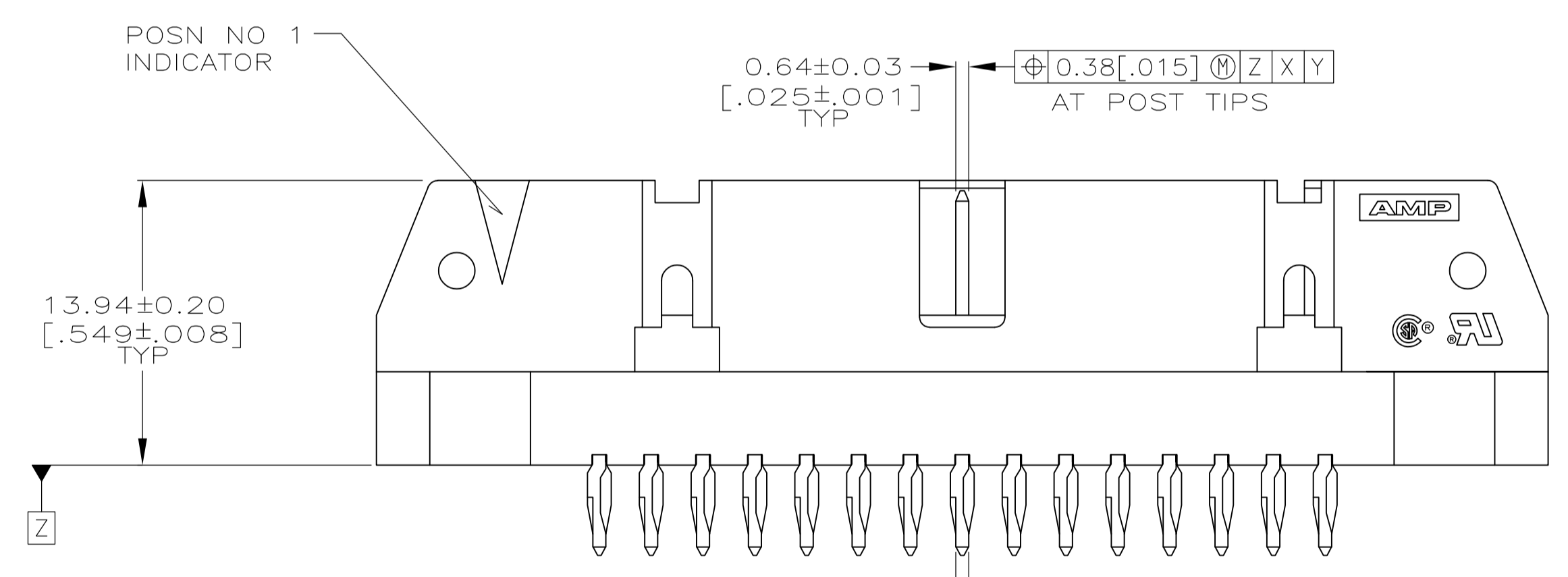
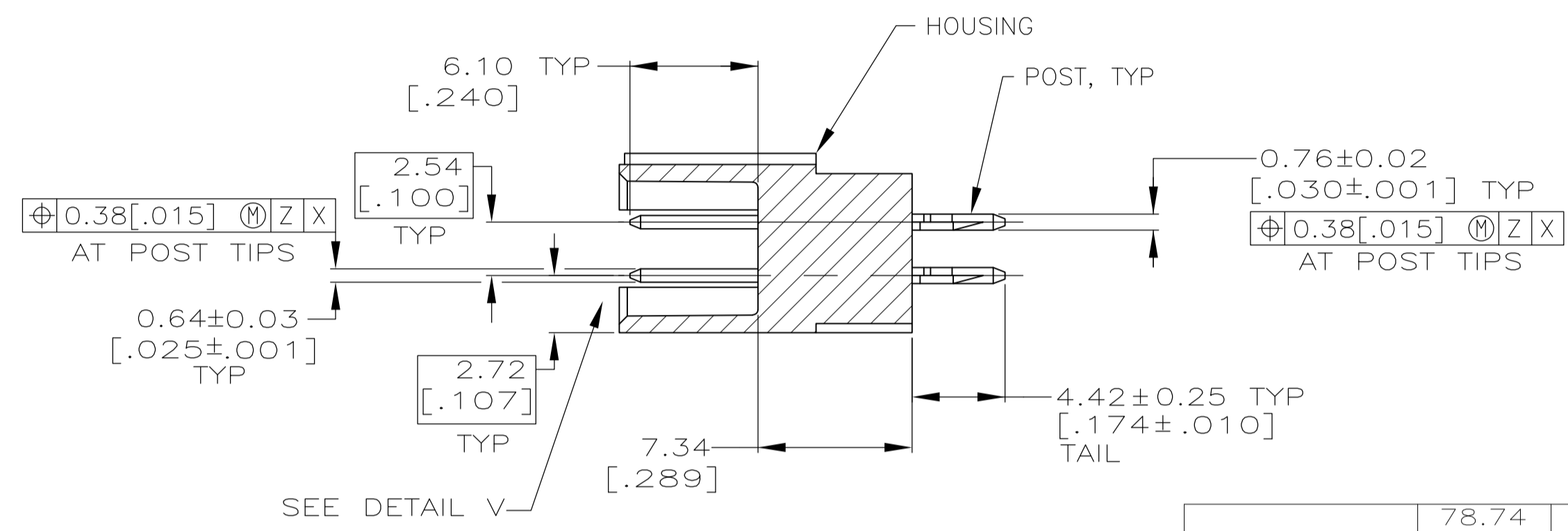
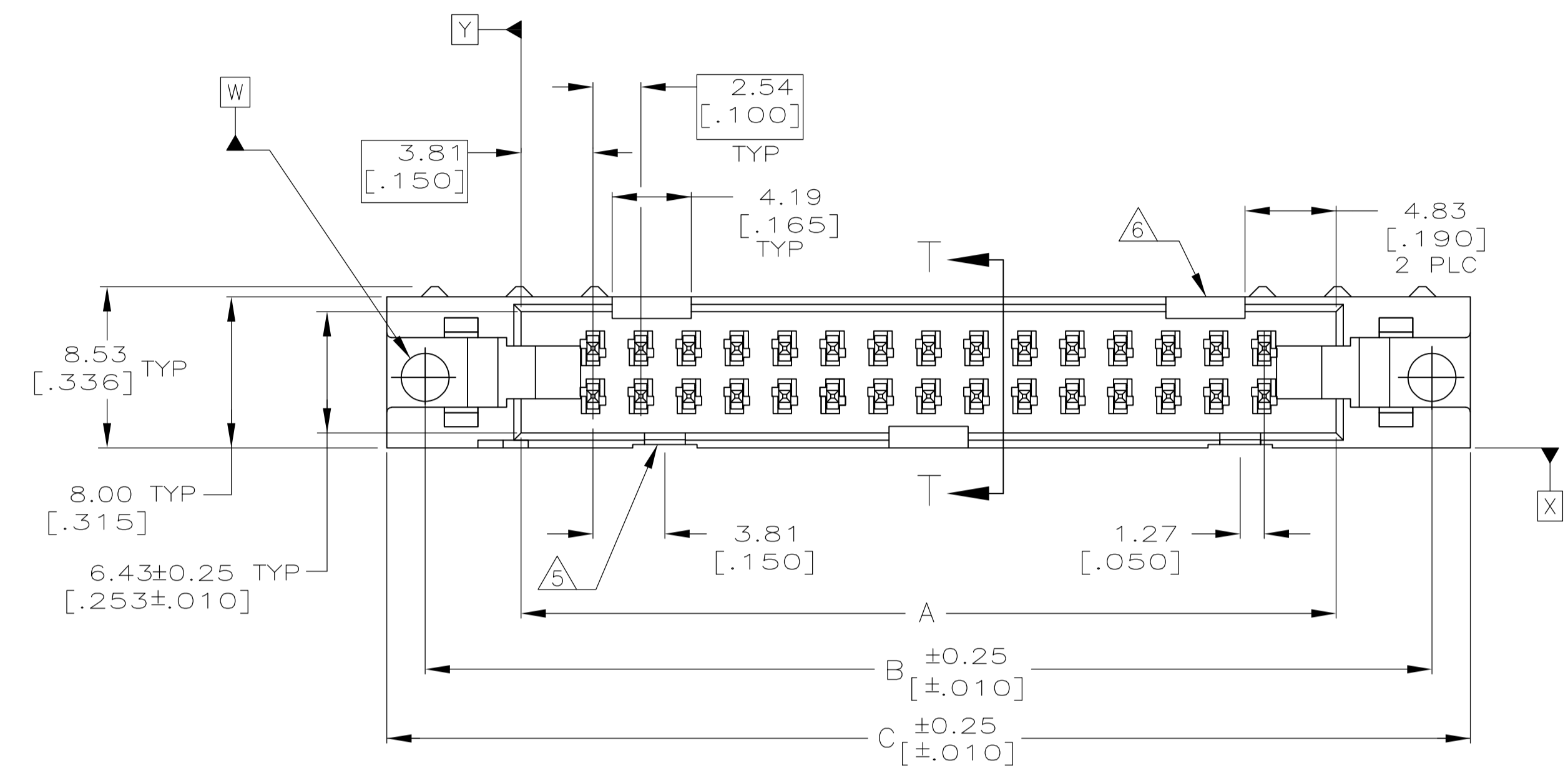


- 1 HOUSING: GLASS FILLED NYLON OR POLYESTER, 94V-0 RATED, COLOR SEE TABLE.  
POSTS: PHOSPHOR BRONZE.
- 2 POSTS: GOLD FLASH OVER PALLADIUM-NICKEL PLATE, 0.76µm[.000030] MIN TOTAL ON THE LOCALIZED PLATE AREA, 2.54µm[.000100] MIN TIN PLATE ON THE TAIL, 1.27µm[.000050] MIN NICKEL UNDERPLATE ON THE ENTIRE POST.  
-OR-  
0.76µm[.000030] MIN GOLD PLATE ON THE LOCALIZED PLATE AREA, 2.54µm[.000100] MIN TIN PLATE ON THE TAIL, 1.27µm[.000050] MIN NICKEL UNDERPLATE ON THE ENTIRE POST.
- 3 REFER TO APPLICATION SPECIFICATION 114-40020 FOR HOLE SIZE AND FINISH RECOMMENDATIONS.
- 4 DATUMS M & N TO BE ESTABLISHED BY CUSTOMER.
- 5 NO SLOT FOR SNAP-IN POLARIZER ON THIS END FOR 10 AND 14 POSITION HEADERS.
- 6 NO SLOT ON THIS END FOR 10 POSITION HEADERS.



|               |       |         |         |         |         |            |             |             |
|---------------|-------|---------|---------|---------|---------|------------|-------------|-------------|
| OBSOLETE      | BLUE  | 78.74   | 96.52   | 100.58  | 96.52   | 86.36      | 64          | 3-1658694-2 |
|               |       | [3.100] | [3.800] | [3.960] | [3.800] | [3.400]    |             |             |
| OBSOLETE      | BLUE  | 60.96   | 78.74   | 82.80   | 78.74   | 68.58      | 50          | 3-1658694-0 |
|               |       | [2.400] | [3.100] | [3.260] | [3.100] | [2.700]    |             |             |
| OBSOLETE      | BLUE  | 48.26   | 66.04   | 70.10   | 66.04   | 55.88      | 40          | 2-1658694-9 |
|               |       | [1.900] | [2.600] | [2.760] | [2.600] | [2.200]    |             |             |
| OBSOLETE      | BLUE  | 40.64   | 58.42   | 62.48   | 58.42   | 48.26      | 34          | 2-1658694-8 |
|               |       | [1.600] | [2.300] | [2.460] | [2.300] | [1.900]    |             |             |
| OBSOLETE      | BLUE  | 30.48   | 48.26   | 52.32   | 48.26   | 38.10      | 26          | 2-1658694-6 |
|               |       | [1.200] | [1.900] | [2.060] | [1.900] | [1.500]    |             |             |
| OBSOLETE      | BLUE  | 22.86   | 40.64   | 44.70   | 40.64   | 30.48      | 20          | 2-1658694-4 |
|               |       | [.900]  | [1.600] | [1.760] | [1.600] | [1.200]    |             |             |
| OBSOLETE      | BLACK | 17.78   | 35.56   | 39.62   | 35.56   | 25.40      | 16          | 2-1658694-3 |
|               |       | [.700]  | [1.400] | [1.560] | [1.400] | [1.000]    |             |             |
| OBSOLETE      | BLACK | 15.24   | 33.02   | 37.08   | 33.02   | 22.86      | 14          | 2-1658694-2 |
|               |       | [.600]  | [1.300] | [1.460] | [1.300] | [.900]     |             |             |
| OBSOLETE      | BLACK | 10.16   | 27.94   | 32.00   | 27.94   | 17.78      | 10          | 2-1658694-1 |
|               |       | [.400]  | [1.100] | [1.260] | [1.100] | [.700]     |             |             |
| OBSOLETE      | BLACK | 73.66   | 91.44   | 95.50   | 91.44   | 81.28      | 60          | 1-1658694-2 |
|               |       | [2.900] | [3.600] | [3.760] | [3.600] | [3.200]    |             |             |
| OBSOLETE      | BLACK | 40.64   | 58.42   | 62.48   | 58.42   | 48.26      | 34          | 1-1658694-1 |
|               |       | [1.600] | [2.300] | [2.460] | [2.300] | [1.900]    |             |             |
| OBSOLETE      | BLACK | 35.56   | 53.34   | 57.40   | 53.34   | 43.18      | 30          | 1-1658694-0 |
|               |       | [1.400] | [2.100] | [2.260] | [2.100] | [1.700]    |             |             |
| OBSOLETE      | BLACK | 25.40   | 45.72   | 49.78   | 45.72   | 35.56      | 24          | 1658694-9   |
|               |       | [1.100] | [1.800] | [1.960] | [1.800] | [1.400]    |             |             |
| OBSOLETE      | BLACK | 17.78   | 35.56   | 39.62   | 35.56   | 25.40      | 16          | 1658694-8   |
|               |       | [.700]  | [1.400] | [1.560] | [1.400] | [1.000]    |             |             |
| OBSOLETE      | BLACK | 15.24   | 33.02   | 37.08   | 33.02   | 22.86      | 14          | 1658694-7   |
|               |       | [.600]  | [1.300] | [1.460] | [1.300] | [.900]     |             |             |
| OBSOLETE      | BLACK | 10.16   | 27.94   | 32.00   | 27.94   | 17.78      | 10          | 1658694-6   |
|               |       | [.400]  | [1.100] | [1.260] | [1.100] | [.700]     |             |             |
| OBSOLETE      | BLACK | 78.74   | 96.52   | 100.58  | 96.52   | 86.36      | 64          | 1658694-5   |
|               |       | [3.100] | [3.800] | [3.960] | [3.800] | [3.400]    |             |             |
| OBSOLETE      | BLACK | 60.96   | 78.74   | 82.80   | 78.74   | 68.58      | 50          | 1658694-4   |
|               |       | [2.400] | [3.100] | [3.260] | [3.100] | [2.700]    |             |             |
| OBSOLETE      | BLACK | 48.26   | 66.04   | 70.10   | 66.04   | 55.88      | 40          | 1658694-3   |
|               |       | [1.900] | [2.600] | [2.760] | [2.600] | [2.200]    |             |             |
| OBSOLETE      | BLACK | 30.48   | 48.26   | 52.32   | 48.26   | 38.10      | 26          | 1658694-2   |
|               |       | [1.200] | [1.900] | [2.060] | [1.900] | [1.500]    |             |             |
| OBSOLETE      | BLACK | 22.86   | 40.64   | 44.70   | 40.64   | 30.48      | 20          | 1658694-1   |
|               |       | [.900]  | [1.600] | [1.760] | [1.600] | [1.200]    |             |             |
| HOUSING COLOR | E     | D       | C       | B       | A       | NO OF POSN | PART NUMBER |             |

THIS DRAWING IS A CONTROLLED DOCUMENT.

|                         |  |                         |                             |
|-------------------------|--|-------------------------|-----------------------------|
| DIMENSIONS: mm [INCHES] | TOLERANCES UNLESS OTHERWISE SPECIFIED: | APPROVED: M. WALMSLEY   | NAME: M. WALMSLEY           |
| 0 PLC ± -               | 1 PLC ± -                              | 2 PLC ± 0.13[.005]      | 3 PLC ± -                   |
| 4 PLC ± -               | ANGLES ± -                             | PRODUCT SPEC: 108-40019 | APPLICATION SPEC: 114-40020 |
| MATERIAL: 1             | FINISH: 2                              | WEIGHT: -               | SIZE: A1                    |
| CUSTOMER DRAWING        |  | SCALE: 4:1              | SHEET: 1 OF 1               |

STE TE Connectivity  
HEADER ASSY, UNIVERSAL, ACTION PIN AMP-LATCH  
DRAWING NO: 1658694

单击下面可查看定价，库存，交付和生命周期等信息

[>>TE Connectivity\(泰科\)](#)