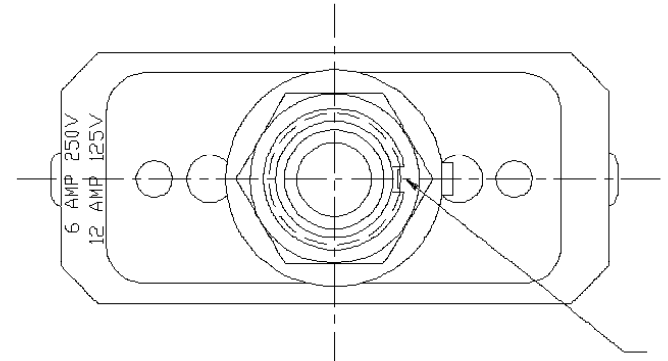
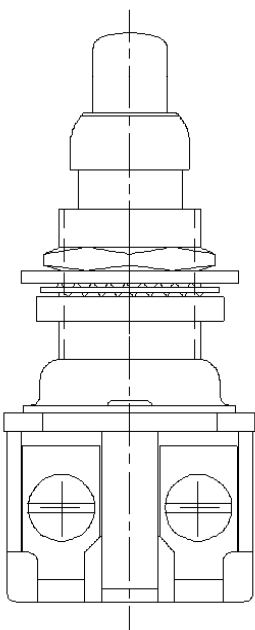


REVISIONS				
P	LTR	DESCRIPTION	DATE	APVD
B		REVISED PER ECR-17-008920	21JUN2017	SK AS

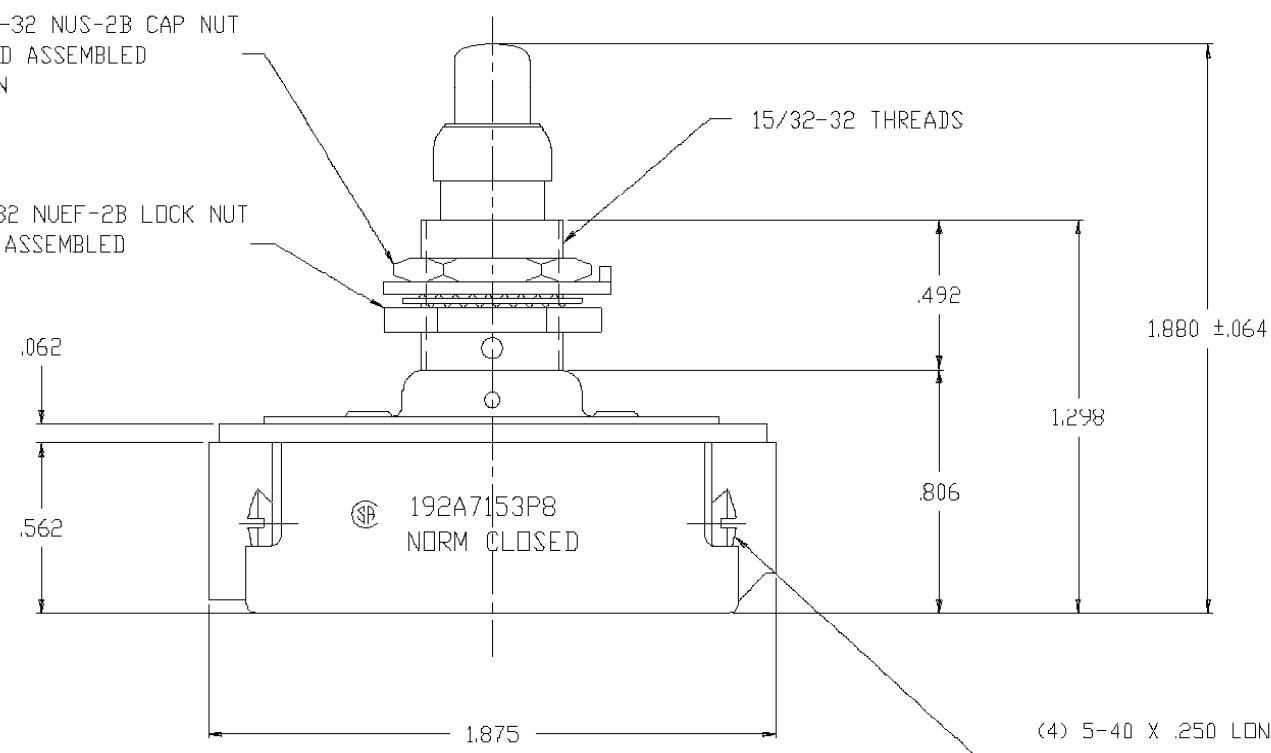


.083 ±.003 X .046 DEEP KEYWAY



15/32-32 NUS-2B CAP NUT  
SHIPPED ASSEMBLED  
AS SHOWN

15/32-32 NUF-2B LOCK NUT  
SHIPPED ASSEMBLED  
AS SHOWN



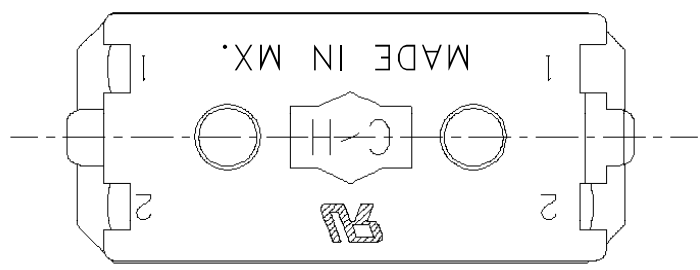
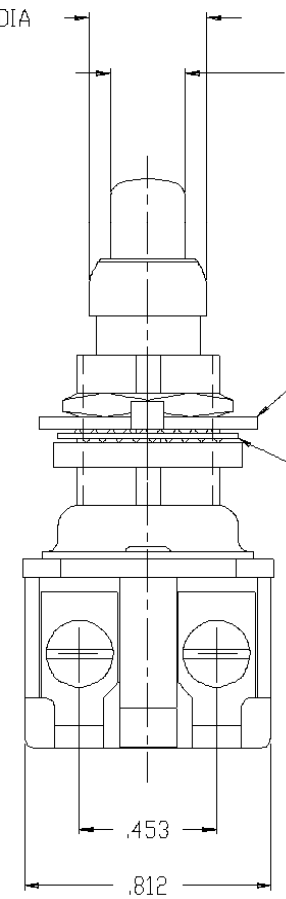
(4) 5-40 X .250 LONG  
UNDERCUT BDG. HD. SCREW  
SHIPPED ASSEMBLED

.390 ±.002 DIA

.247 ±.001 DIA

LOCKING RING  
SHIPPED ASSEMBLED  
AS SHOWN

INTERNAL TOOTH LOCKWASHER  
SHIPPED ASSEMBLED  
AS SHOWN



1. UNLESS OTHERWISE SPECIFIED ALL TOLERANCE TO BE ±.016.
2. SWITCH ASSEMBLED WITH SYN-TECH NS-5888-G SYNTHETIC GREASE

THIS DRAWING IS A CONTROLLED DOCUMENT.		DWN W. LEONARD 3/30/92	<b>STE</b> TE Connectivity																			
		CHK WESTEMEIER 4/10/92																				
DIMENSIONS: INCHES		APVD M.R. DUMMER 4/14/92	NAME D.P.S.T. MOMENTARY CONTACT PUSH SWITCH W/ OVERTHROW - NORMALLY "ON"																			
TOLERANCES UNLESS OTHERWISE SPECIFIED:		PRODUCT SPEC	APPLICATION SPEC																			
<table border="0"> <tr><td>0 PLC</td><td>±</td><td>-</td></tr> <tr><td>1 PLC</td><td>±</td><td>-</td></tr> <tr><td>2 PLC</td><td>±</td><td>-</td></tr> <tr><td>3 PLC</td><td>±</td><td>-</td></tr> <tr><td>4 PLC</td><td>±</td><td>-</td></tr> <tr><td>ANGLES</td><td>±</td><td>-</td></tr> </table>		0 PLC	±	-	1 PLC	±	-	2 PLC	±	-	3 PLC	±	-	4 PLC	±	-	ANGLES	±	-	WEIGHT 0	SIZE A2	CAGE CODE 00779
0 PLC	±	-																				
1 PLC	±	-																				
2 PLC	±	-																				
3 PLC	±	-																				
4 PLC	±	-																				
ANGLES	±	-																				
MATERIAL -		FINISH -	DRAWING NO C=1520144	RESTRICTED TO -																		
CUSTOMER DRAWING			SCALE NTS	SHEET 1 OF 1																		
			REV B																			

单击下面可查看定价，库存，交付和生命周期等信息

[>>TE Connectivity\(泰科\)](#)