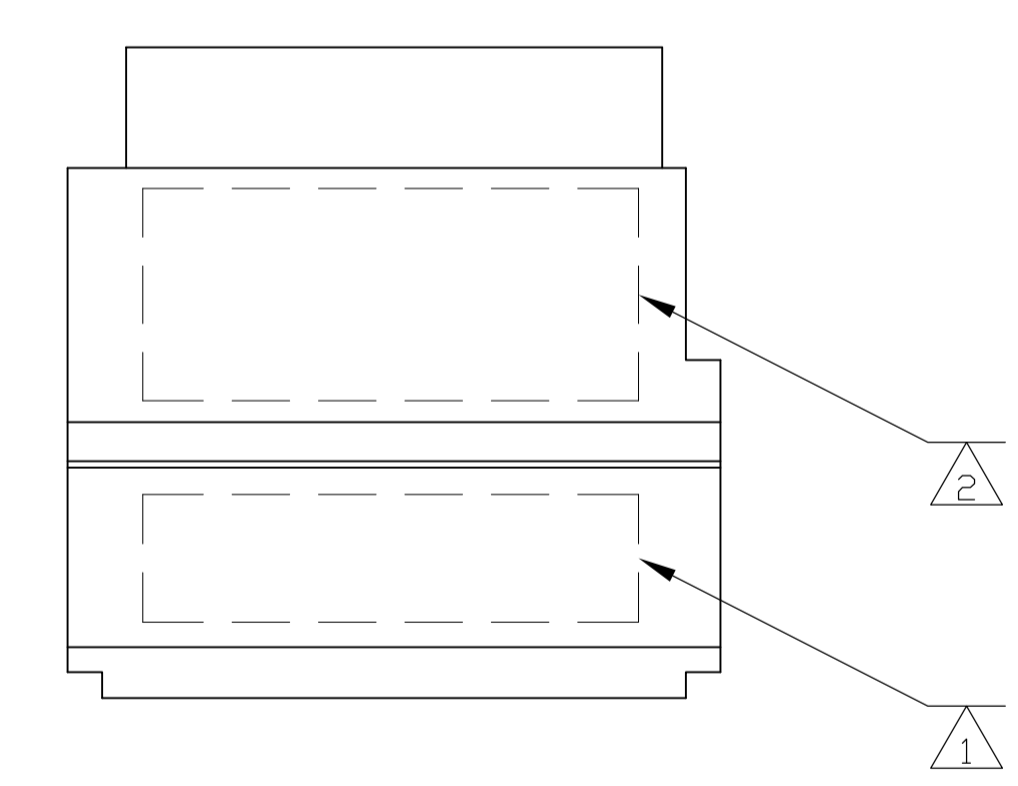
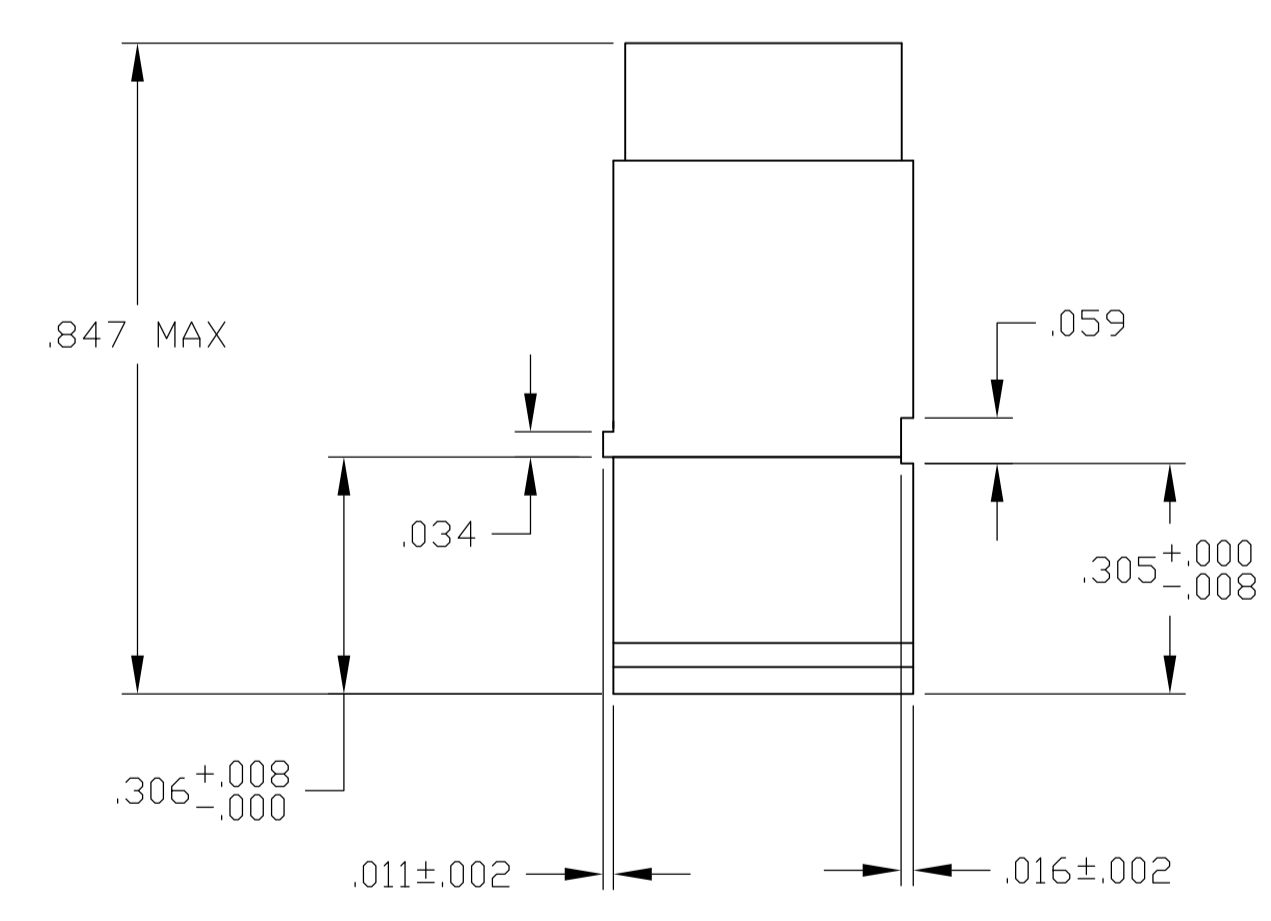
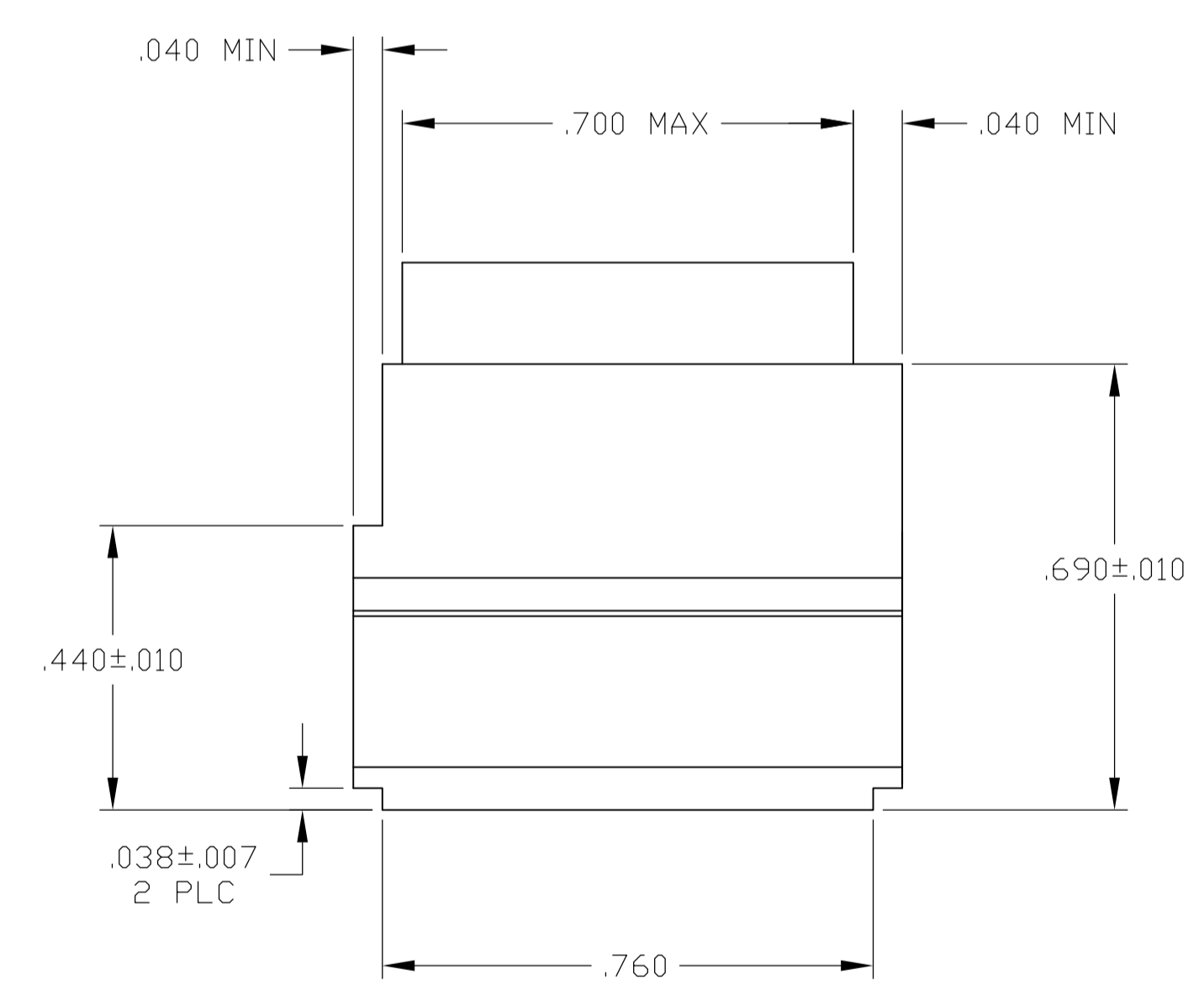
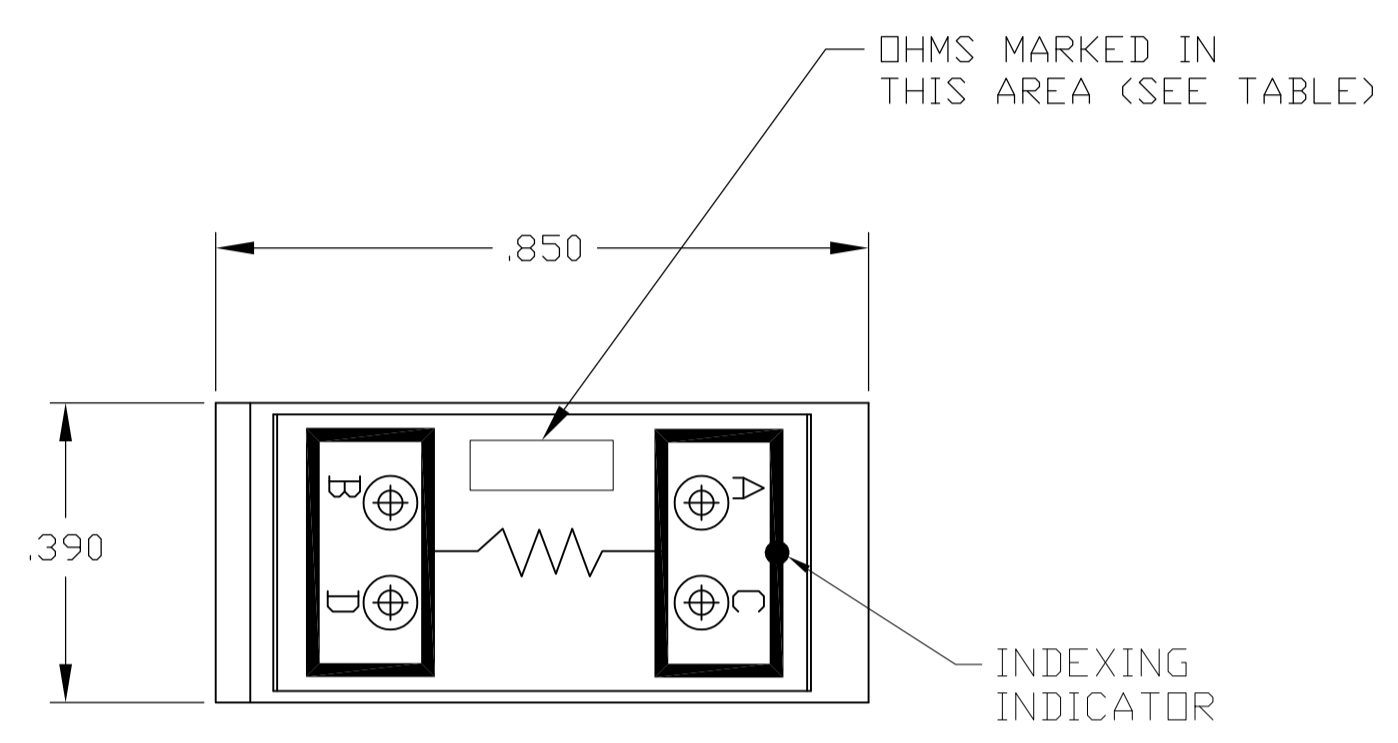


COMPONENT	MATERIAL	FINISH
MODULE ASSY	D. A. P. PER MIL-M14, TYPE SDG-F	COLOR: GREEN
GROMMET	FLUORSILICONE	COLOR: GREEN
SOCKET CONTACT	BERYLLIUM COPPER PER ASTM-B-194	GOLD PLATED PER ASTM-B-488
RETAINING CLIP	BeCu ASTM-B-194 OR STAINLESS STEEL PER QQ-S-766	
PIN CONTACT QTY = 4 P/N M39029/1-101	COPPER ALLOY PER MIL-C-39029/1	GOLD PLATED PER ASTM-B-488
SEALING PLUG QTY = 2	F. E. P. PER MIL-P-19468	COLOR: RED

LOC	DIST	REVISIONS				
DF	AO	REV	DESCRIPTION	DATE	BY	APPD
		C	REV PER ECO-12-000064	23JAN12	PY	DE

1. MODULE ASSEMBLY MARKED WITH AMP, AMP PART NO. AND DATE CODE IN THIS AREA.
2. MODULE ASSEMBLY MARKED WITH CUSTOMER PART NO. FOR -2 ONLY. (SEE TABLE)
3. CONTACTS AND SEALING PLUGS ARE PACKAGED SEPARATELY AND SHIPPED WITH CONNECTOR.



-	-	3240	RLR20C3241FS	591813-4
M81714/18-D-009	-	2200	RLR20C2201GS	591813-3
-	204-10326-2	221	RWR89N2210FR	591813-2
REF	CUSTOMER MARKING	OHMS	RESISTOR	PART NO.

THIS DRAWING IS A CONTROLLED DOCUMENT.

DWN: C. C. THOMAS 6-23-03  
CHK: D. EBY 6-24-03  
APP'D: D. EBY 6-24-03

NAME: REMOVABLE MODULE BLOCK W/ RESISTOR, SIZE 20, TJ

PRODUCT SPEC: -  
APPLICATION SPEC: -  
WEIGHT: -

SIZE: A1  
CAGE CODE: 00779  
DRAWING NO: 591813

RESTRICTED TO: -

CUSTOMER DRAWING

SCALE: 4:1 SHEET 1 OF 1 REV C

单击下面可查看定价，库存，交付和生命周期等信息

[>>TE Connectivity\(泰科\)](#)