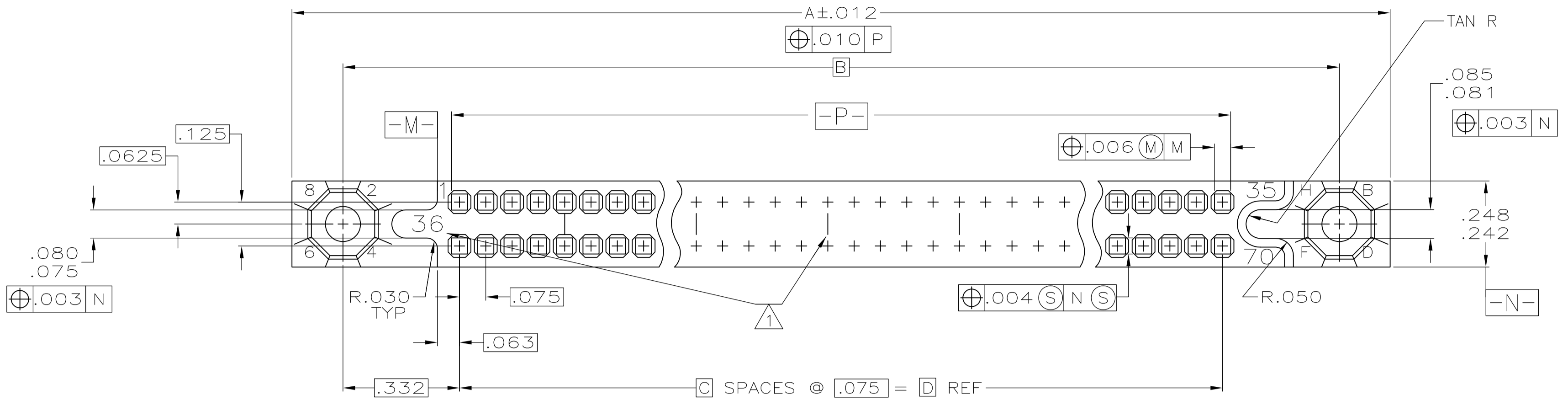
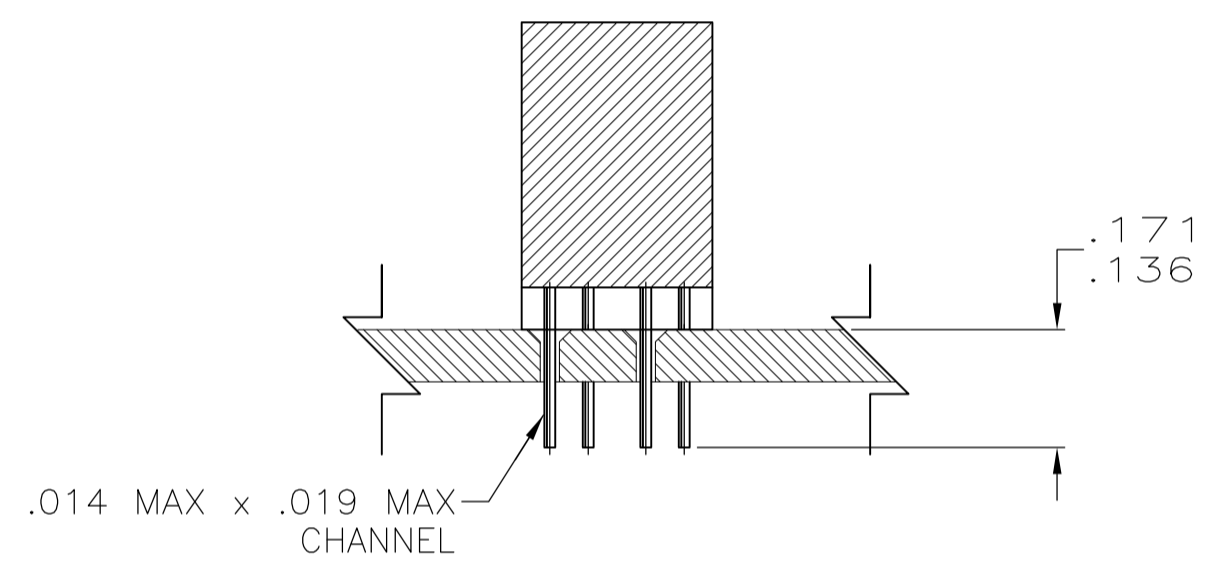
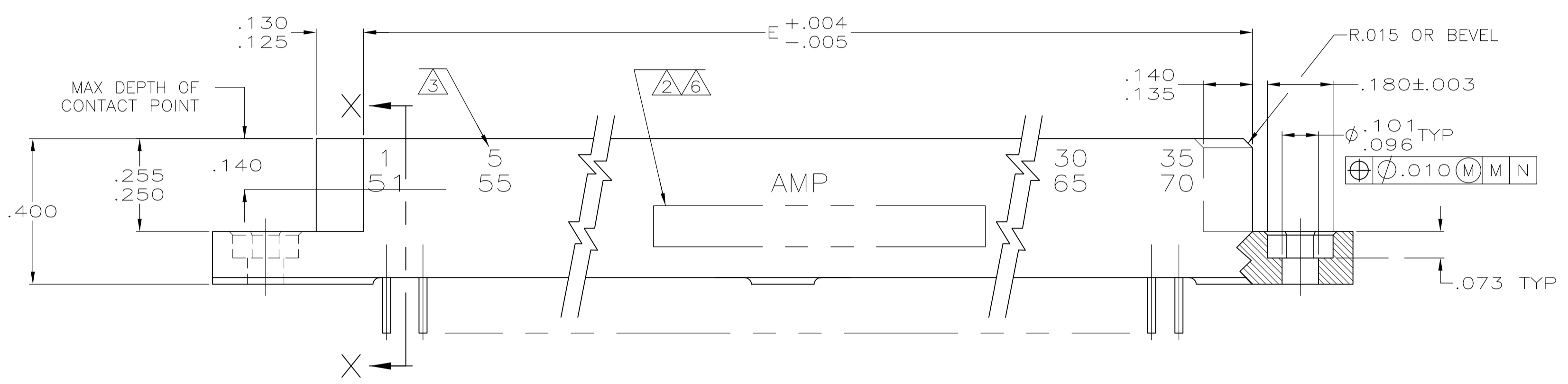


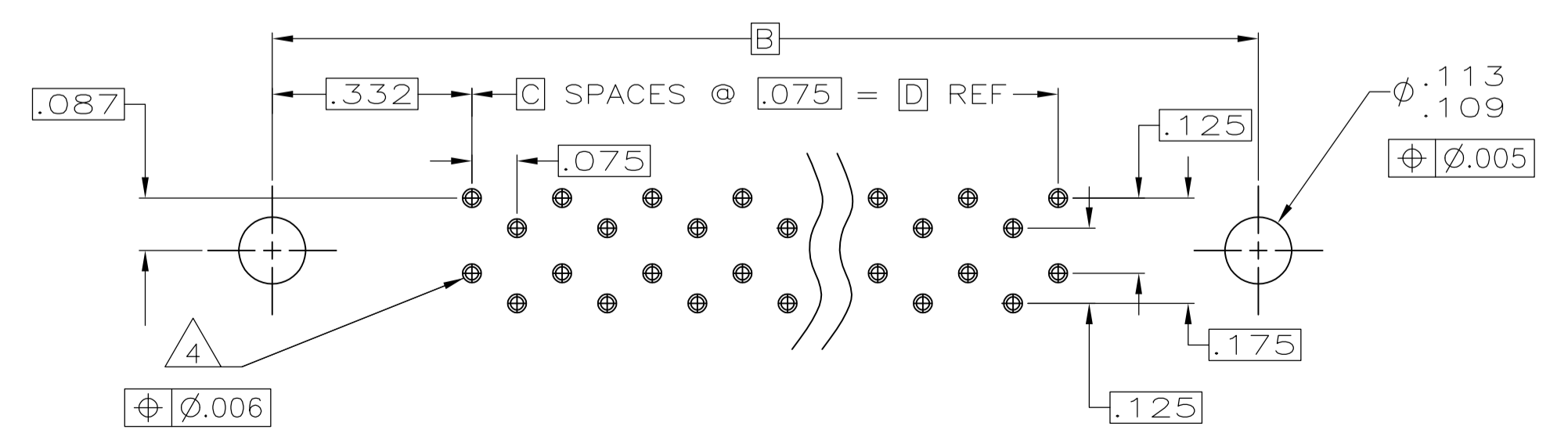
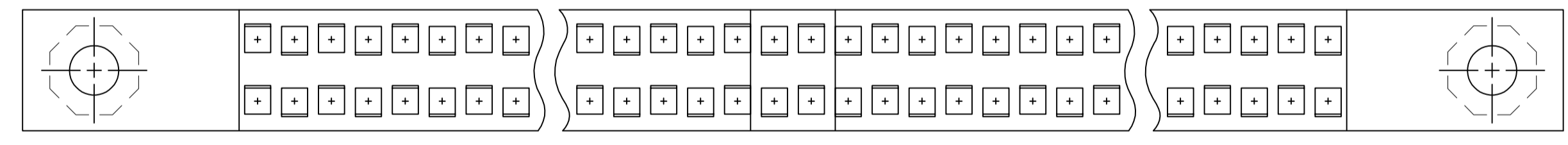
LOC		DIST		REVISIONS			
F	LTR	DESCRIPTION	DATE	DMN	APVD		
F	REV PER ECO	10-016815	15OCT10	PY	DM		



- △ NUMBERS (SEE TABLE) AND LINES INDICATING EVERY FIVE CAVITIES MARKED ON MATING FACE.
- △ IDENTIFICATION MARKINGS PER MIL-C-55302 (SEE TABLE) IN ADDITION TO AMP, PART NUMBER, AND DATE CODE
- △ NUMBERS INDICATING EVERY FIVE CAVITIES MARKED ON SIDE (EXCEPT 10 POSN)
- △ .022-.027 DIA HOLE IN PC BOARD, 60°x .031 DEEP COUNTERSINK RECOMMENDED ON CONNECTOR SIDE OF BOARD
- 5. MUST MEET ALL APPLICABLE REQUIREMENTS IF MIL-C-55302.
- △ CUSTOMER PART NO 90132-2 ADDED IN PLACE OF MIL-C-55302 PART NO
- △ FINISH: .000050 GOLD IN CONTACT AREA, TIN-LEAD ON SOLDER TAILS OVER NICKEL UNDERPLATE.
- △ FINISH: .000050 GOLD ALL OVER NICKEL UNDERPLATE



SECTION X-X  
FLOW SOLDER TYPE



RECOMMENDED PC BOARD LAYOUT (CONNECTOR SIDE)

OBSELETE	NONE	△	1	46	△	3.565	3.300	44	3.965	4.255	90	1-531142-2
M55302 / 24-85			1	46	△	[83.82]	[83.82]	44	[100.71]	[107.32]	90	1-531142-2
M55302 / 24-81			1	56	△	4.315	4.050	54	4.715	5.005	110	1-531142-1
M55302 / 24-77			1	110	△	[102.87]	[102.87]	54	[119.76]	[127.13]	110	1-531142-0
M55302 / 24-73			1	51	△	3.940	3.675	49	4.340	4.630	100	1-531142-9
M55302 / 24-69			1	100	△	[83.82]	[93.35]	49	[110.24]	[117.60]	100	531142-8
M55302 / 24-65			1	46	△	3.565	3.300	44	3.965	4.255	90	531142-7
M55302 / 24-61			1	90	△	[83.82]	[83.82]	44	[100.71]	[108.08]	90	531142-6
M55302 / 24-57			1	41	△	3.190	2.925	39	3.590	3.880	80	531142-5
M55302 / 24-53			1	80	△	[83.82]	[74.30]	39	[91.19]	[98.55]	80	531142-4
M55302 / 24-49			1	36	△	2.815	2.550	34	3.215	3.505	70	531142-3
M55302 / 24-45			1	70	△	[83.82]	[64.77]	34	[80.70]	[90.17]	70	531142-2
M55302 / 24-41			1	31	△	2.440	2.175	29	2.840	3.130	60	531142-1
M55302 / 24-37			1	60	△	[83.82]	[55.25]	29	[72.14]	[79.50]	60	531142-0
M55302 / 24-33			1	26	△	2.065	1.800	24	2.465	2.755	50	531142-9
M55302 / 24-29			1	50	△	[83.82]	[45.72]	24	[62.61]	[69.98]	50	531142-8
M55302 / 24-25			1	21	△	1.690	1.425	19	2.090	2.380	40	531142-7
M55302 / 24-21			1	40	△	[83.82]	[36.20]	19	[53.09]	[60.45]	40	531142-6
M55302 / 24-17			1	16	△	1.315	1.050	14	1.715	2.005	30	531142-5
M55302 / 24-13			1	30	△	[83.82]	[26.67]	14	[43.56]	[50.93]	30	531142-4
M55302 / 24-9			1	11	△	.940	.675	9	1.340	1.630	20	531142-3
M55302 / 24-5			1	20	△	[83.82]	[17.15]	9	[34.04]	[41.40]	20	531142-2
M55302 / 24-1			1	6	△	.565	.300	4	.965	1.255	10	531142-1
M55302 / 24-0			1	10	△	[83.82]	[7.62]	4	[24.51]	[31.88]	10	531142-0
IDENTIFICATION MARKING	CONTACT IDENT NO	FINISH	E	D	C	B	A	POSN	PART NO.			

THIS DRAWING IS A CONTROLLED DOCUMENT.

TYCO ELECTRONICS CORPORATION  
 HARRISBURG, PA 17105-3608

RECEPTACLE ASSY. 750 SERIES BOX, WITH FLOW SOLDER CONTACTS & EXTERNAL KEYING

SIZE: A1 CAGE CODE: 00779 DRAWING NO: 531142

SCALE: 4:1 SHEET: 1 of 1 REV: F

单击下面可查看定价，库存，交付和生命周期等信息

[>>TE Connectivity\(泰科\)](#)