

THIS DRAWING IS UNPUBLISHED. RELEASED FOR PUBLICATION
 © COPYRIGHT - By - ALL RIGHTS RESERVED.

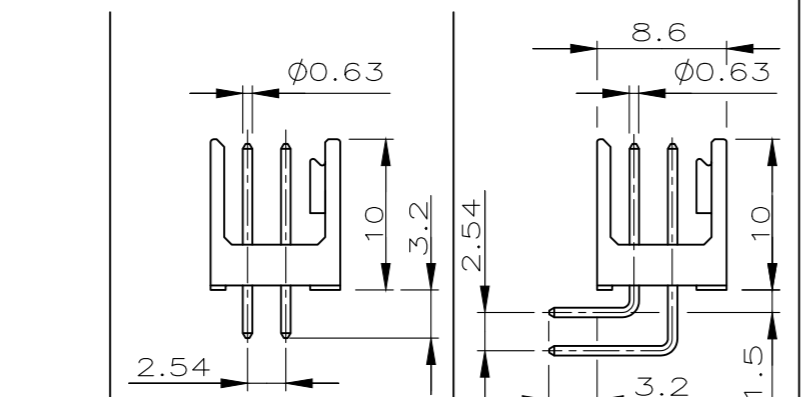
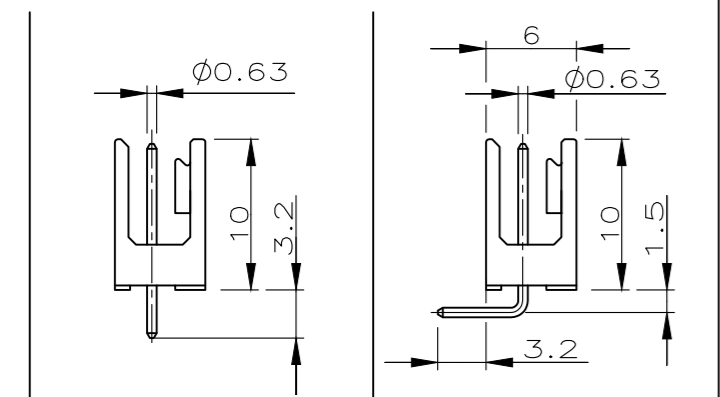
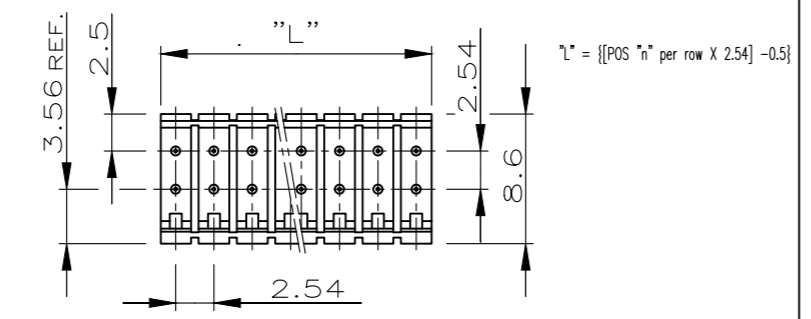
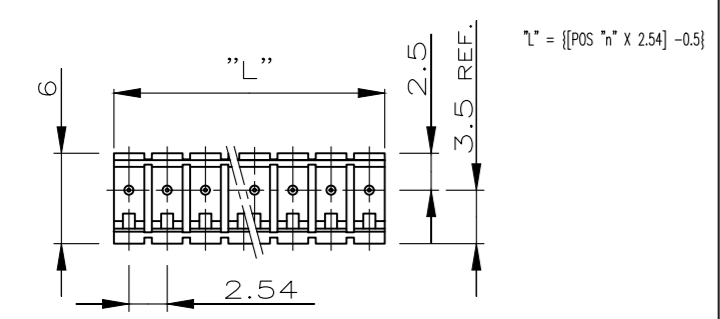
| REVISIONS | | | | |
|-----------|-----|----------------------|-----------|-------|
| P | LTR | DESCRIPTION | DATE | APVD |
| | Y1 | PART STAUTS UPDATED. | 03JAN2018 | RK PS |

MODU II SHROUDED POSTS

MODU II Stiftleiste

SINGLE ROW 3 TO 50 POS.
Einreihig 3 bis 50 pol.

DOUBLE ROW 2x3 TO 2x50 POS.
Zweireihig 2x3 bis 2x50 pol.



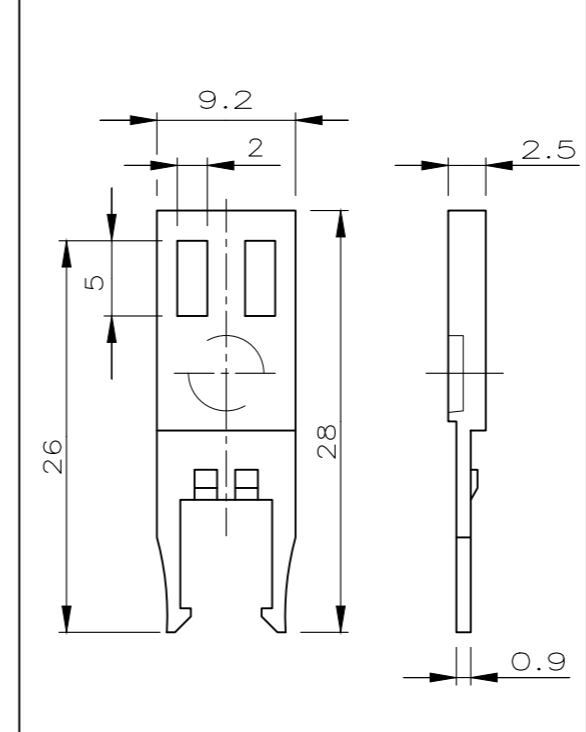
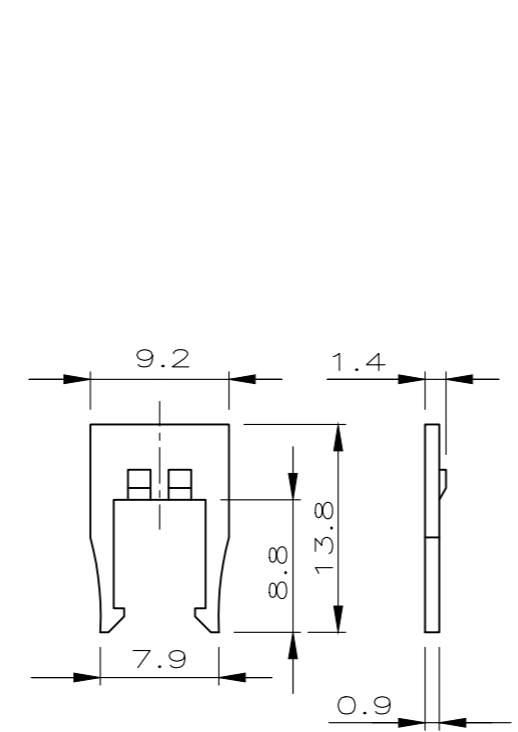
| POS. | PART NUMBERS | PART NUMBERS | POS. | PART NUMBERS | PART NUMBERS |
|-------------------|--------------------------------|--------------------------------|-------------------|--------------------------------|--------------------------------|
| 3 (2) TO 50 | 1 826 467-3 BIS 5-826 467-0 | 1 826 468-3 BIS 5-826 468-0 | 2x3 TO 2x50 | 1 826 469-3 BIS 5-826 469-0 | 1 826 470-2 BIS 5-826 470-0 |
| | 2 827 295-2 BIS 5-827 295-0 | 2 827 296-3 BIS 5-827 296-0 | | 2 827 297-3 BIS 5-827 297-0 | 2 827 298-3 BIS 5-827 298-0 |
| | | | | | |

RETENTION PLUG

Rastgabel

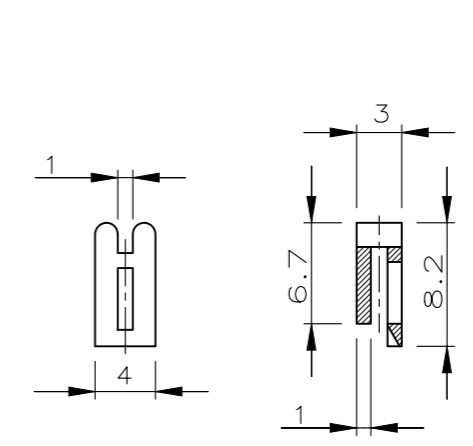
RETENTION PLUG WITH STRAIN RELIEF

Rastgabel mit Zugentlastung



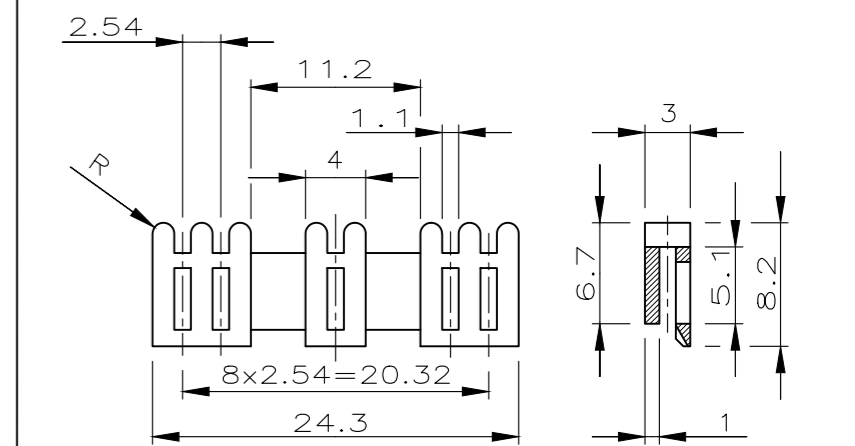
KEYING PLUG

Kodierstift



KEYING BLOCK

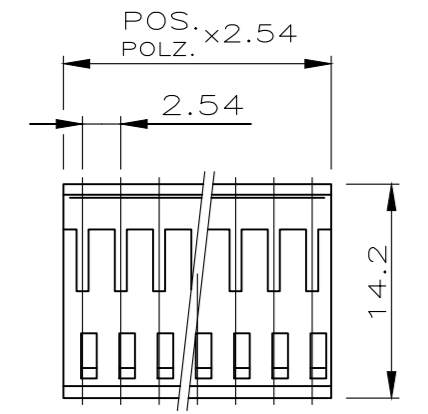
Kodierblock



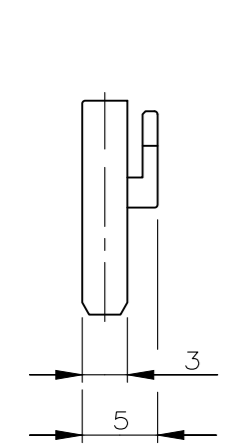
| PART NUMBERS | COLOUR | PART NUMBERS | COLOUR | PART NUMBERS | COLOUR | PART NUMBERS | COLOUR |
|--------------|--------|--------------|--------|--------------|--------|--------------|--------|
| 926 477-1 | BLACK | 926 478-1 | BLACK | 926 498-1 | BLACK | 927 607-1 | BLACK |
| 926 477-2 | GREEN | 926 478-2 | GREEN | 926 498-2 | GREEN | 927 607-2 | GREEN |
| 926 477-3 | RED | 926 478-3 | RED | 926 498-3 | RED | 927 607-3 | RED |

MODU IV RECEPTACLE HOUSING

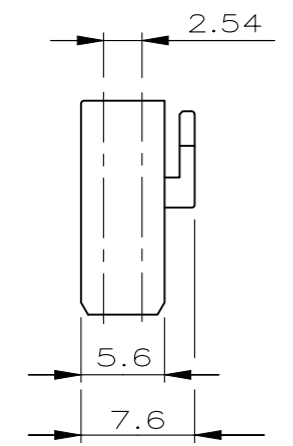
MODU IV Buchsengehäuse



SINGLE ROW 2 TO 36 POS.
Einreihig 2 bis 36 polig.



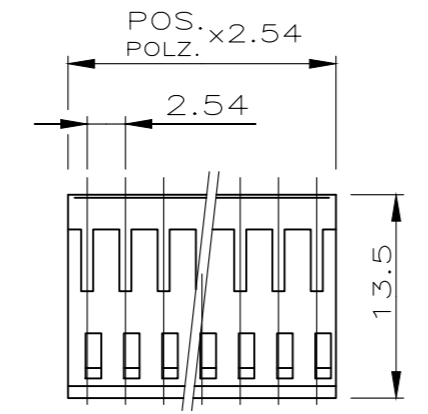
DOUBLE ROW 2x2 TO 2x36 POS.
Zweireihig 2x2 bis 2x36 polig



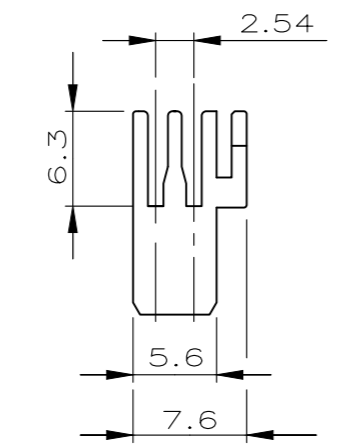
| POS. | PART NUMBERS | POS. | PART NUMBERS |
|---------|--------------------------|-------------|--------------------------|
| 2 TO 36 | 926 475-2 3-926 475-6 | 2x2 TO 2x36 | 926 476-2 3-926 476-6 |

FFC HOUSING

FFC Gehäuse



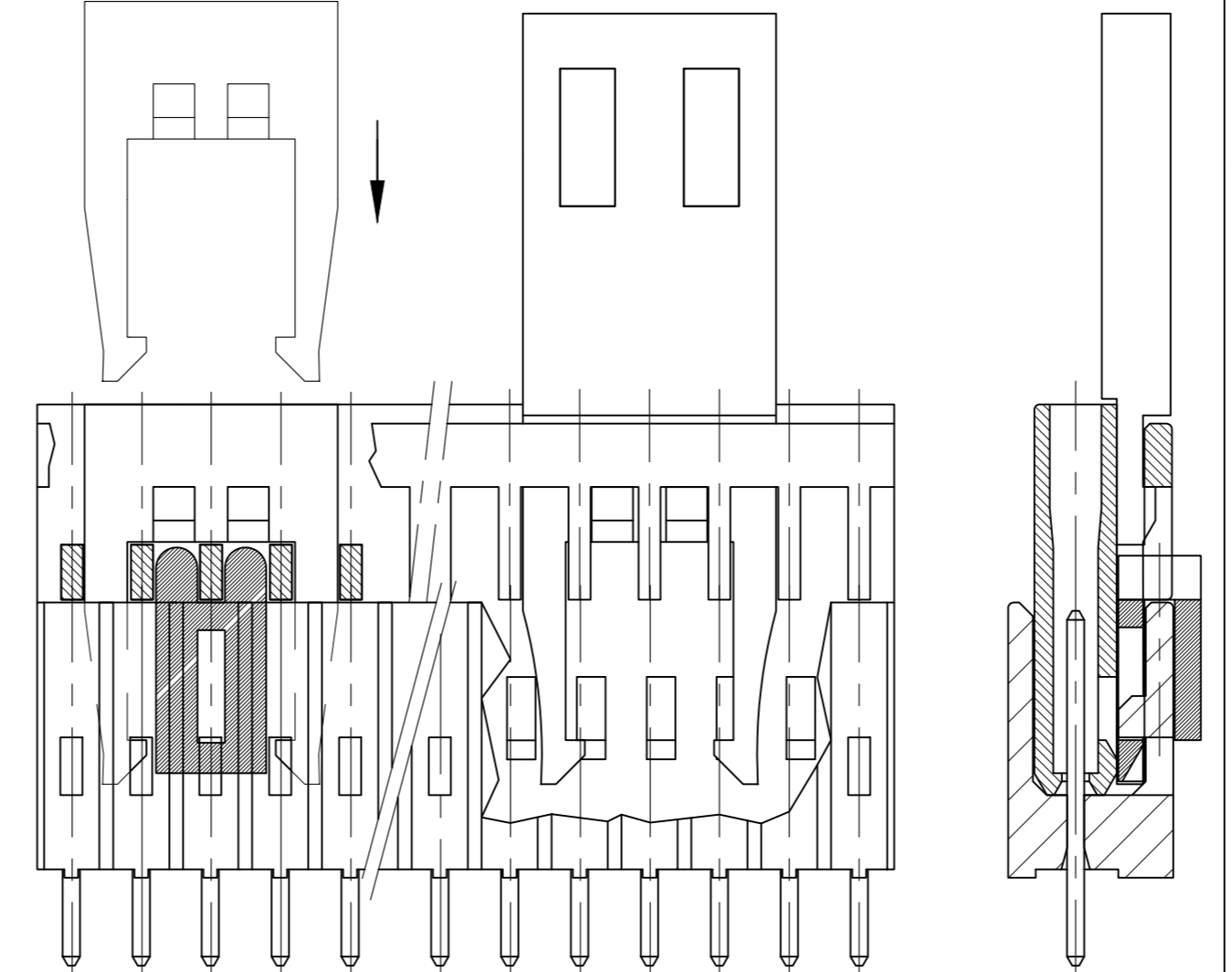
DOUBLE ROW 2x3 TO 2x13 POS.
Zweireihig 2x3 bis 2x13 polig



| POS. | PART NUMBERS |
|-------------|--------------------------|
| 2x3 TO 2x13 | 927 009-3 1-927 009-3 |

ASSEMBLED COMPONENTS (FOR EXAMPLE)

Anwendungsbeispiel



1 CONTACT PIN/Kontaktstift: CuZn
 PLATING MATING AREA:
 MIN. 0.7µm PdNi + 0.1µm GOLD FLASH OVER 1.27µm Ni
 SOLDER SIDE: MIN 3.0µm Sn OVER 1.27µm Ni

2 CONTACT PIN/Kontaktstift: CuSn
 PRE TIN PLATED MIN. 2.0µm Sn OVER 1.27µm Ni (PIN TIPS BLANK)
 Vorverzinnt min. 2.0µm Sn über 1.27µm Ni (Stiftspitzen blank)

MATERIAL:
 PIN HEADER PCT-GV BLACK/schwarz
 Stiftgehäuse PCT-GV BLACK/schwarz
 RECEPTACLE HOUSING PBT-GV BLACK/schwarz
 Buchsengehäuse PBT-GV BLACK/schwarz
 RETENTION PLUGS PC-GV
 Rastgabeln PC-GV
 KEYING PLUG AND BLOCK PA 6.6 GV
 Kodierstift, -block PA 6.6 GV
 FFC HOUSING PBT-GV BLACK/schwarz
 FFC Gehäuse PBT-GV BLACK/schwarz

3 OBSOLETE PARTS
 4 OBSOLETE PARTS:OBSOLETE CIS STREAMLINING PER D.RENAUD/D.SINISI

THIS DRAWING IS A CONTROLLED DOCUMENT.

| | | |
|------------------|-----------------|--------------|
| DWN | A.HO | 08.03.85 |
| CHK | M.SCHAARSCHMIDT | 02.05.85 |
| APVD | - | - |
| PRODUCT SPEC | - | |
| APPLICATION SPEC | - | |
| WEIGHT | - | |
| CUSTOMER DRAWING | SCALE 2:1 | SHEET 1 OF 2 |

TE Connectivity
 AMPMODU II / AMPMODU IV
 SIZE A2 CAGE CODE 00779 DRAWING NO C=826467 RESTRICTED TO -
 REV Y1

4

3

2

1

THIS DRAWING IS UNPUBLISHED. RELEASED FOR PUBLICATION
 © COPYRIGHT - By - ALL RIGHTS RESERVED.

| REVISIONS | | | | |
|-----------|-----|-------------|------|------|
| P | LTR | DESCRIPTION | DATE | APVD |
| - | - | SEE SHEET 1 | - | - |

PN 6-926476-8
 2x18 POS. AMPMODU IV RECEPTACLE HOUSING
 2x18 POL. AMPMODU IV BUCHSENGEHÄUSE

PACKAGING
 Verpackung

PART NUMBER 5-826467-3 INCLUDING 75 PCS. OF PN 826467-3
 PACKED IN PLASTIC BOX (78mm x 78mm x 45mm)
 FOR TE-HARRISBURG ONLY

Bestell- Nummer 5-826467-3 enthält 75 Stk. PN 826467-3
 verpackt in Kunststoffschachtel (78mm x 78mm x 45mm)
 nur für TE-Harrisburg

| | | | | |
|--|--|--|--------------------|---------------------------------|
| THIS DRAWING IS A CONTROLLED DOCUMENT. | | DWN M.SCHAARSCHMIDT 27.09.85 | TE Connectivity | |
| | | CHK W.MORITZ 30.09.85 | | |
| DIMENSIONS: mm | | TOLERANCES UNLESS OTHERWISE SPECIFIED: ±0.2mm | | NAME AMPMODU II / AMPMODU IV |
| | | 0 PLC ± - | APVD - | PRODUCT SPEC - |
| | | 1 PLC ± - | APPLICATION SPEC - | SIZE A2 |
| | | 2 PLC ± - | WEIGHT | CAGE CODE 00779 |
| | | 3 PLC ± - | CUSTOMER DRAWING | DRAWING NO. C-826467 |
| MATERIAL - | | FINISH - | SCALE 2:1 | SHEET 2 OF 2 |
| | | | RESTRICTED TO - | REV Y1 |

1471-9 (1/15)

Downloaded From Onevac.com

826467

单击下面可查看定价，库存，交付和生命周期等信息

[>>TE Connectivity\(泰科\)](#)