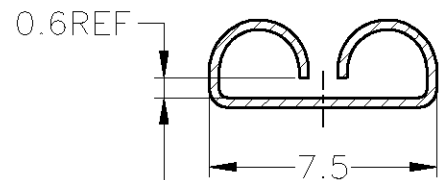
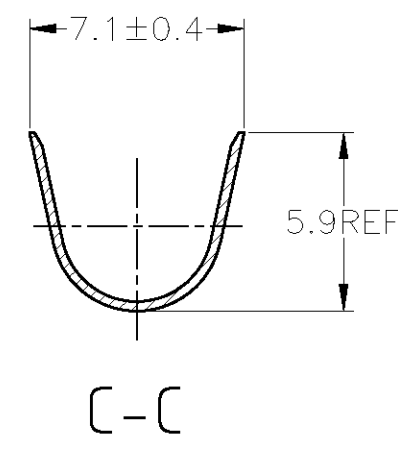
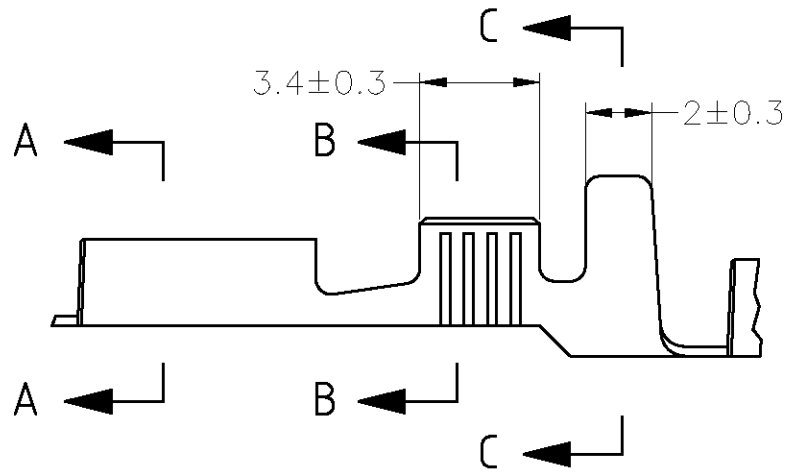
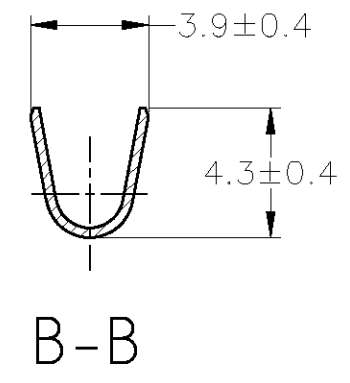
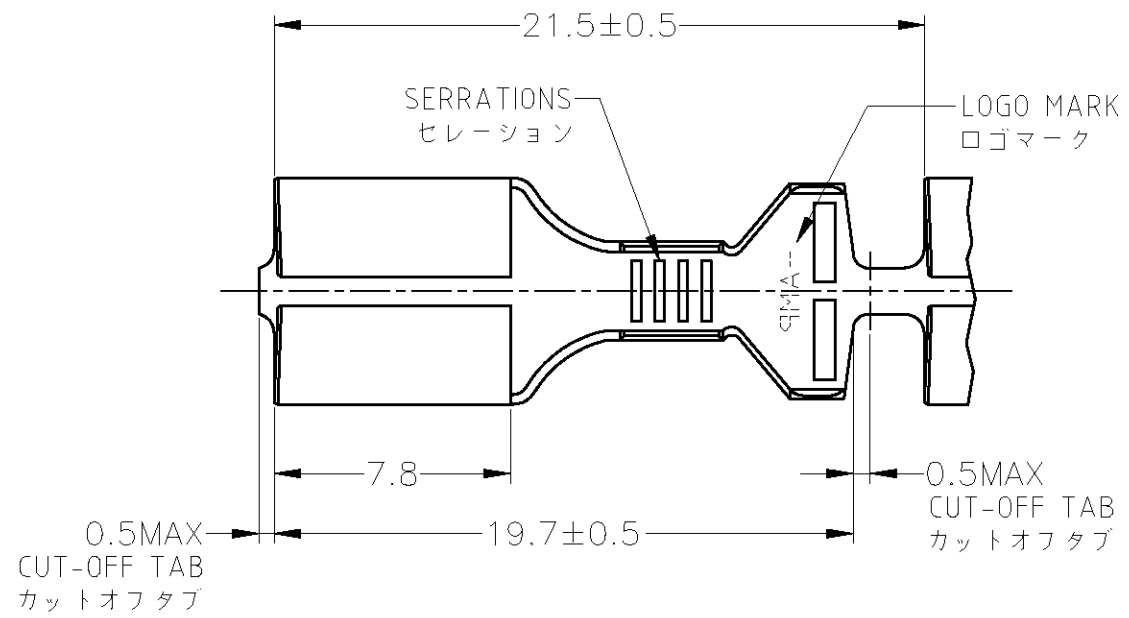


THIS DRAWING IS UNPUBLISHED. RELEASED FOR PUBLICATION
 © COPYRIGHT BY TYCO ELECTRONICS CORPORATION. ALL INTERNATIONAL RIGHTS RESERVED.

LOC	DIST	REVISIONS						
		P	LTR	DESCRIPTION	DATE	DWN	APVD	
—	—	A1	—	REDRAWN W/CHANGE	ECR-10-014585	12JUL10	TS	KB



THIS DIMENSION IS CONTROLLED WITH MATING FORCE
 この寸法は嵌合力によって規定する。

A-A

-1: AS SHOWN
 -1: 本図

- 1. MATING PART NUMBER : 171633
- 2. STRESS RELIEVING FINISH IS SUBJECT TO CHANGE BY THE TYPE OF STRESS RELIVING PROCESS
 INERT GAS FURNACE---MATTE
 ATMOSPHERIC FURNACE FOLLOWED BY ACID PICKLE---BRIGHT
- 1. 嵌合相手端子型番 : 171633
- 2. ストレス除去処理
 処理方により外観が変わります。
 不活性ガス加熱方式---無光沢
 大気加熱方式---光沢

GENERAL TOLERANCE

0<* < 10	: ±0.2
10<* < 30	: ±0.25
30<* < 100	: ±0.3
ANGLES	: ±0.3°

THIS DRAWING IS A CONTROLLED DOCUMENT.

DIMENSIONS:	TOLERANCES UNLESS OTHERWISE SPECIFIED:
mm	
0 PLC	± -
1 PLC	± -
2 PLC	± -
3 PLC	± -
4 PLC	± -
ANGLES	± -
MATERIAL	FINISH
BRASS 黄銅 0.32t	-

DWN	T. SHINOHARA	12JUL10
CHK	K. BETSUI	12JUL10
APVD	K. BETSUI	12JUL10
PRODUCT SPEC	-	
APPLICATION SPEC	114-5082	
WEIGHT	-	
CUSTOMER DRAWING		

WIRE RANGE 絶縁電線断面積 1.25~3mm ² (AWG #16~#12)		INSULATION DIA 被覆外形 2.5~4.1mm	
DWN T. SHINOHARA 12JUL10		Tyco Electronics Corporation Kawasaki, Japan	
CHK K. BETSUI 12JUL10		NAME 250 SERIES RECEPTACLE CONTACT FOR SEALED CONNECTOR	
APVD K. BETSUI 12JUL10		SIZE A3	CAGE CODE 00779
PRODUCT SPEC -		DRAWING NO C-171632	RESTRICTED TO -
APPLICATION SPEC 114-5082		SCALE 1:1	SHEET 1 OF 1
WEIGHT -		REV A1	

单击下面可查看定价，库存，交付和生命周期等信息

[>>TE Connectivity\(泰科\)](#)