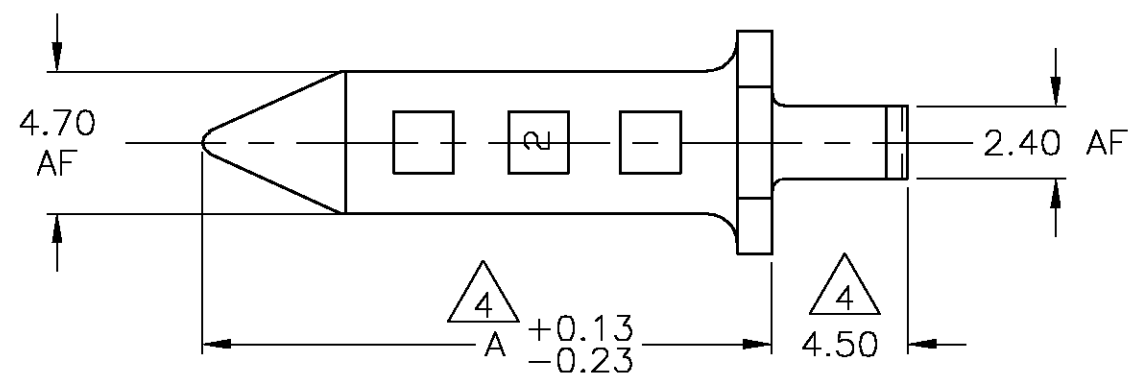
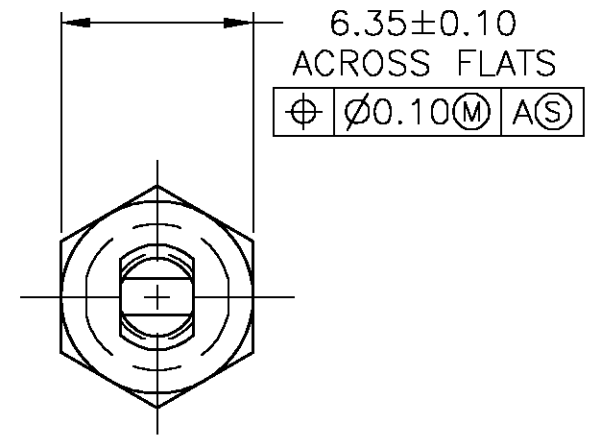
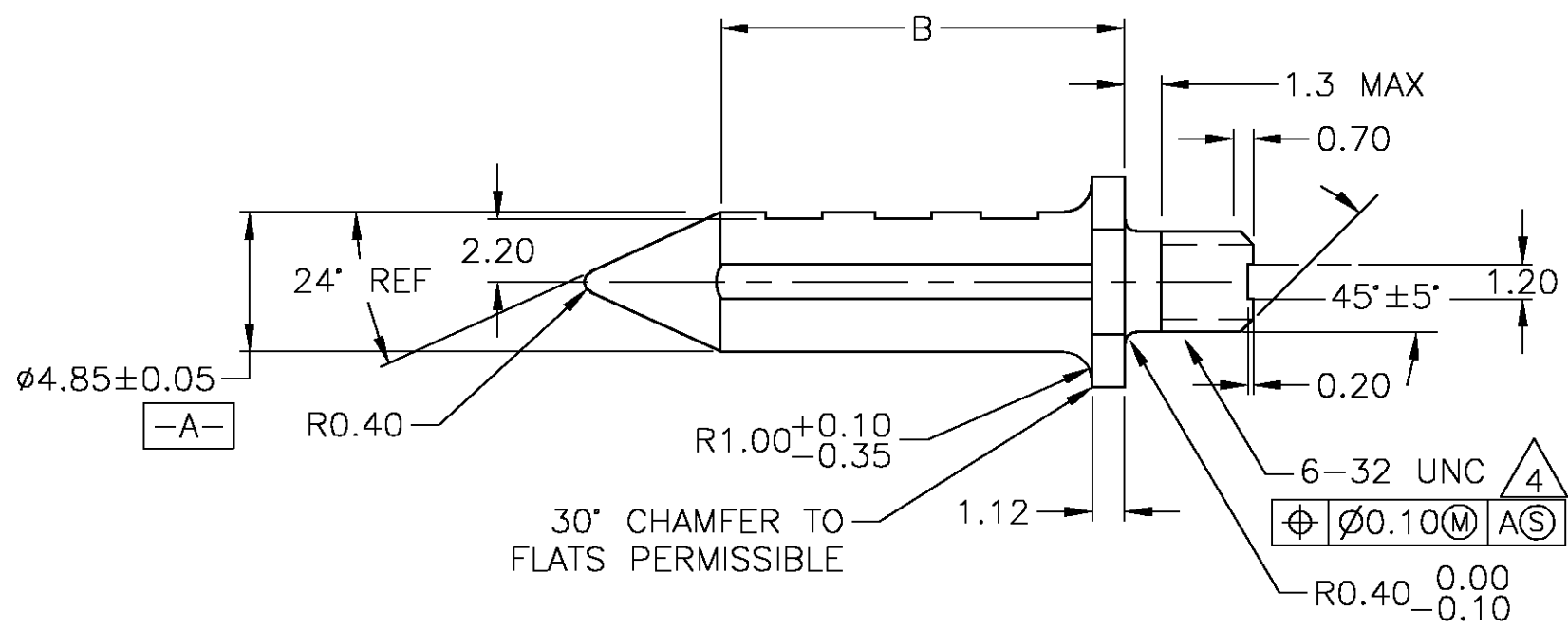


THIS DRAWING IS UNPUBLISHED. RELEASED FOR PUBLICATION
 © COPYRIGHT BY TYCO ELECTRONICS CORPORATION. ALL RIGHTS RESERVED.

LOC	DIST	REVISIONS					
AD	00	P	LTR	DESCRIPTION	DATE	DWN	APVD
		E		REV PER EC 0S12-0420-04	30SEP04	BC	RP



- 1 MATERIAL: ZINC ALLOY.
- 2 FINISH: CHROMATE CONVERSION COATING.
- 3. RECOMMENDED PC BOARD DRILLED HOLE IS $\phi 4.10 \pm 0.08$ mm IF APPLYING A NUT FROM THE REAR OF THE BOARD. IF USING WITH PEM NUT P/N KFS2-6-32, DRILLED HOLE SHOULD BE $\phi 5.41^{+0.08}_{0.00}$.
- 4 RECOMMENDED MAXIMUM TORQUE TO BE 6 IN-LBS.



25.23	30.00	2	1	120932-4
14.06	18.83	2	1	120932-1
B	A	FINISH	MATERIAL	PART NUMBER

THIS DRAWING IS A CONTROLLED DOCUMENT.		DWN B.CARBO 02MAY03	Tyco Electronics Corporation Harrisburg, Pa 17105-3608	
DIMENSIONS: mm		CHK R.PATTERSON 02MAY03	NAME	
TOLERANCES UNLESS OTHERWISE SPECIFIED:		APVD R.PATTERSON 02MAY03	PRODUCT SPEC	
0 PLC ± - 1 PLC ± - 2 PLC ± 0.13 3 PLC ± - 4 PLC ± - ANGLES ± 0°30'		APPLICATION SPEC		
MATERIAL SEE TABLE	FINISH SEE TABLE	WEIGHT -	SIZE A3	CAGE CODE 00779
CUSTOMER DRAWING			DRAWING NO C-120932	RESTRICTED TO -
			SCALE 4:1	SHEET 1 OF 1
			REV E	

单击下面可查看定价，库存，交付和生命周期等信息

[>>TE Connectivity\(泰科\)](#)