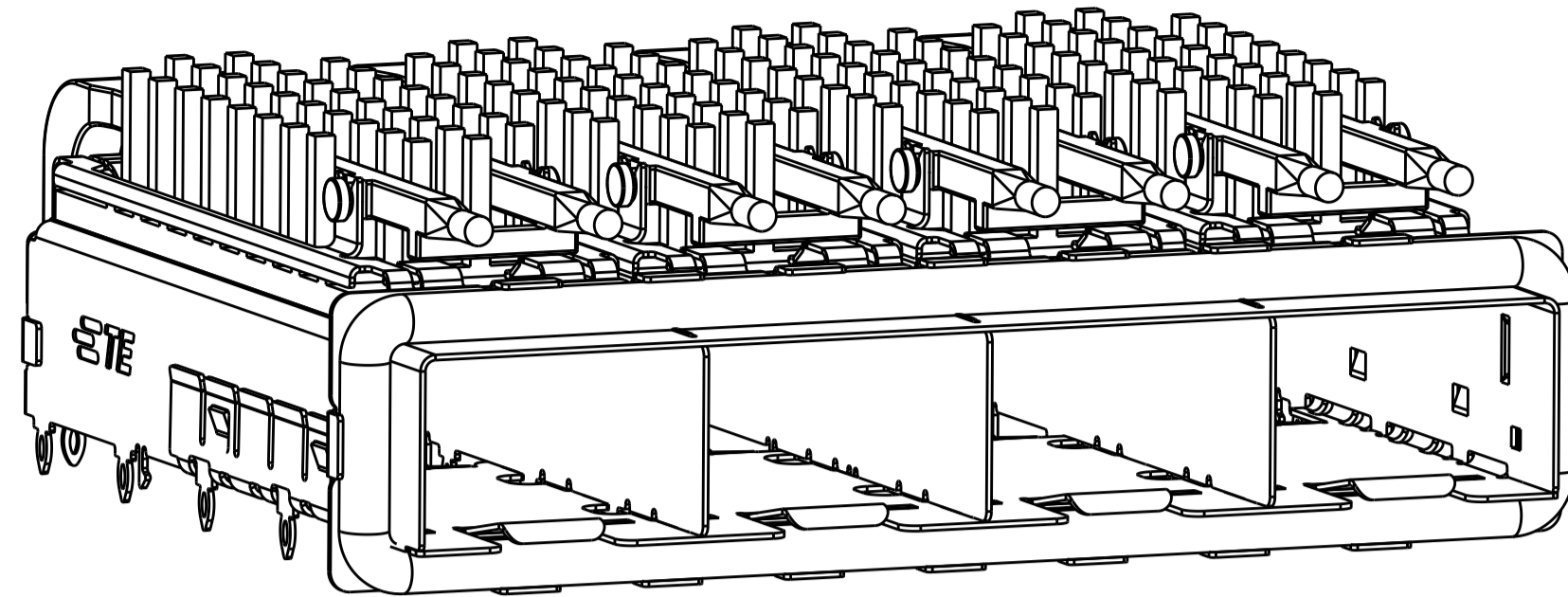


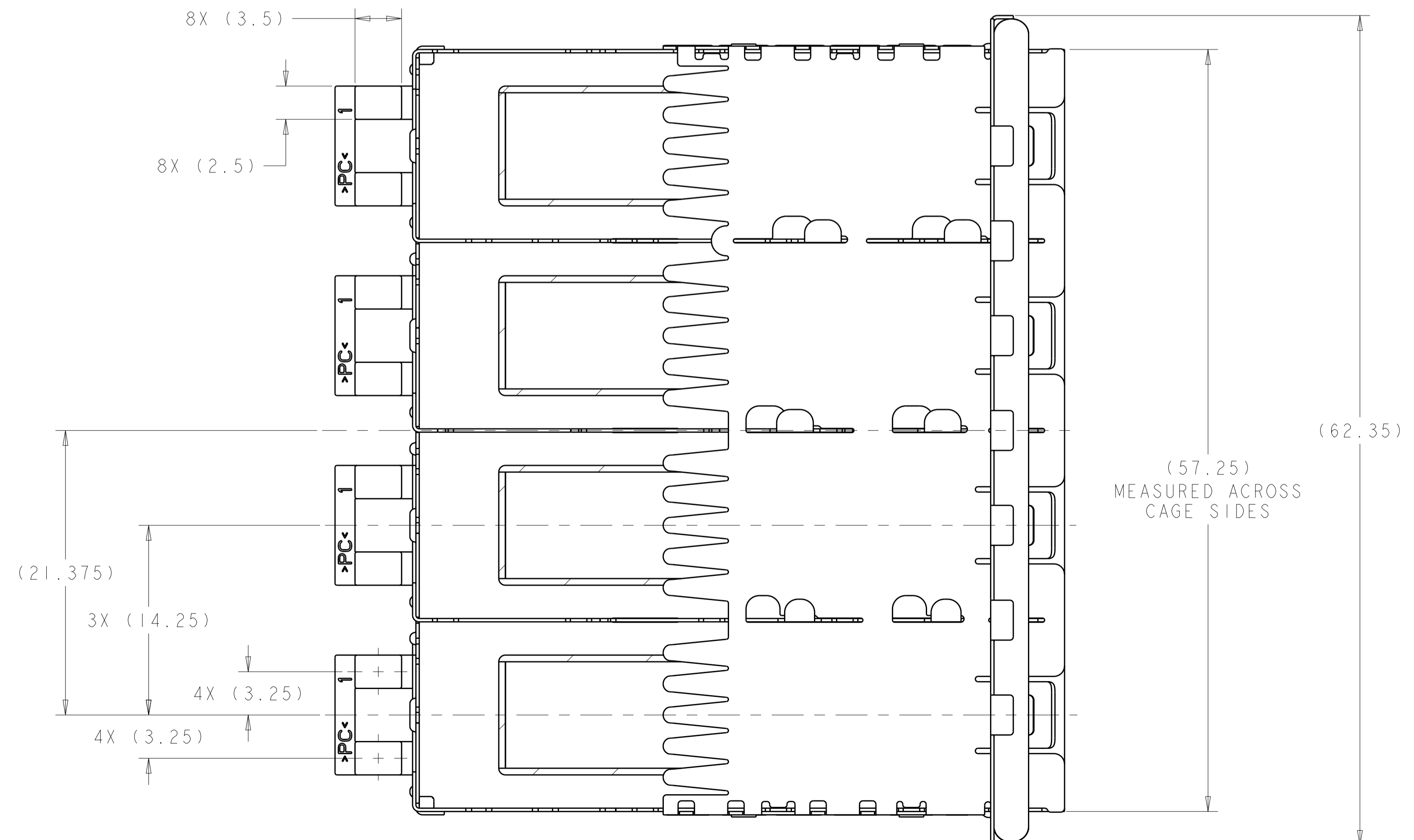
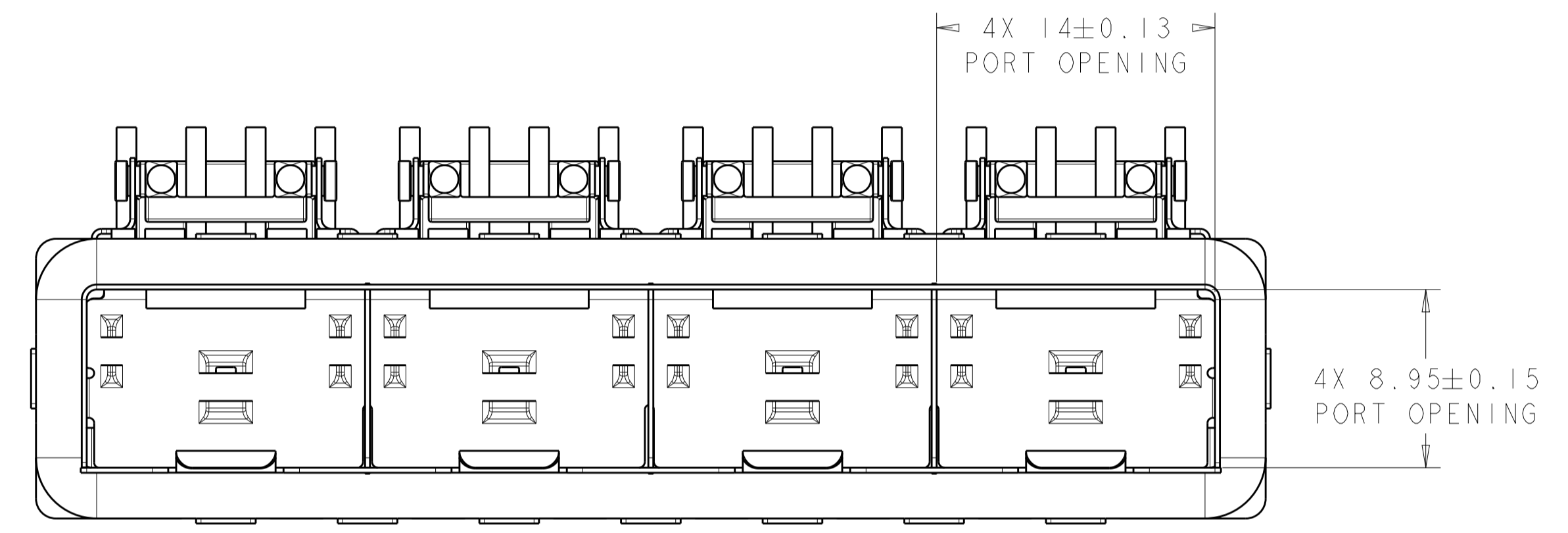
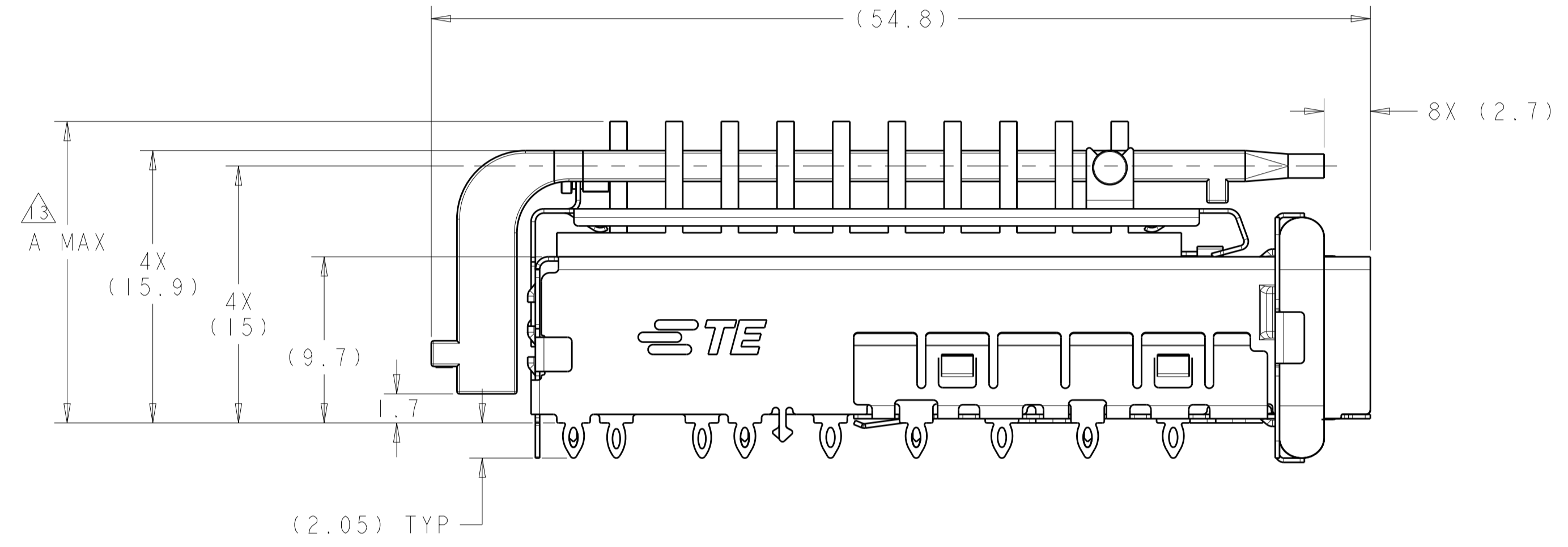
LOC	DIST	REVISIONS					
GP	00	P	LTN	DESCRIPTION	DATE	DWN	APVD
		A		RELEASED PER ECO-12-013192	09OCT2012	BMM	MRS



2198242
 FINISHED ASSEMBLY
 SCALE 3:1

- 1 MATERIAL:
 CAGE ASSEMBLY: 0.25mm THICK NICKEL SILVER ALLOY
 GASKET RETENTION PLATE: STAINLESS STEEL
 EMI GASKET: PLATED FILLED SILICONE
 HEATSINK/LIGHTPIPE CLIP: STAINLESS STEEL
 HEATSINK: ALUMINUM
 LIGHTPIPE: POLYCARBONATE, CLEAR
- 2 FINISH:
 HEATSINK: ELECTROLEISS NICKEL
 HEATSINK/LIGHTPIPE CLIP: PASSIVATE
- 3 PADS AND VIAS CHASSIS GROUND.
- 4 DATUM AND BASIC DIMENSION ESTABLISHED BY CUSTOMER.
- 5. MATES WITH SFP MSA COMPLIANT TRANSCEIVERS.
- 6. INTERPRETATION OF DATUM REFERENCE FRAME IN ACCORDANCE WITH SECT 4.4.1.1 OF ASME Y14.5M-1994.
- 7 REFERENCE APPLICATION SPEC. 114-13120, HOLE A, FOR RECOMMENDED DRILL HOLE DIAMETER AND PLATING THICKNESS.
- 8 REFERENCE APPLICATION SPEC. 114-13120, HOLE B, FOR RECOMMENDED DRILL HOLE DIAMETER AND PLATING THICKNESS.
- 9 HOLE PATTERN REPEATS FOR EACH PORT. SPACING BETWEEN PORTS IS 14.25mm.

- 10 MINIMUM PC BOARD THICKNESS:
 SINGLE SIDED: 1.5mm
- 11. CERTAIN MATING TRANCEIVERS MAY REQUIRE ADDITIONAL PCB THICKNESS THAT WOULD NEED TO BE DETERMINED BY THE CUSTOMER.
- 12. PRODUCT COMPLIES WITH SPECIFICATION SFF-8433 IMPROVED PLUGGABLE FORM FACTOR FOR SFP+ GANGED CAGES.
- 13 DIMENSION APPLIES PRIOR TO INSERTION OF SFP MODULE.
- 14 HEATSINK, HEATSINK CLIP, AND LIGHTPIPE SHIPPED UNASSEMBLED TO CAGE ASSEMBLY. CAGE ASSEMBLY TO BE PRESSED INTO PCB PRIOR TO ATTACHING HEATSINK, HEATSINK CLIP, AND LIGHTPIPE TO THE CAGE ASSEMBLY.
- 15 PACKAGED AS A COMPLETE ASSEMBLY.

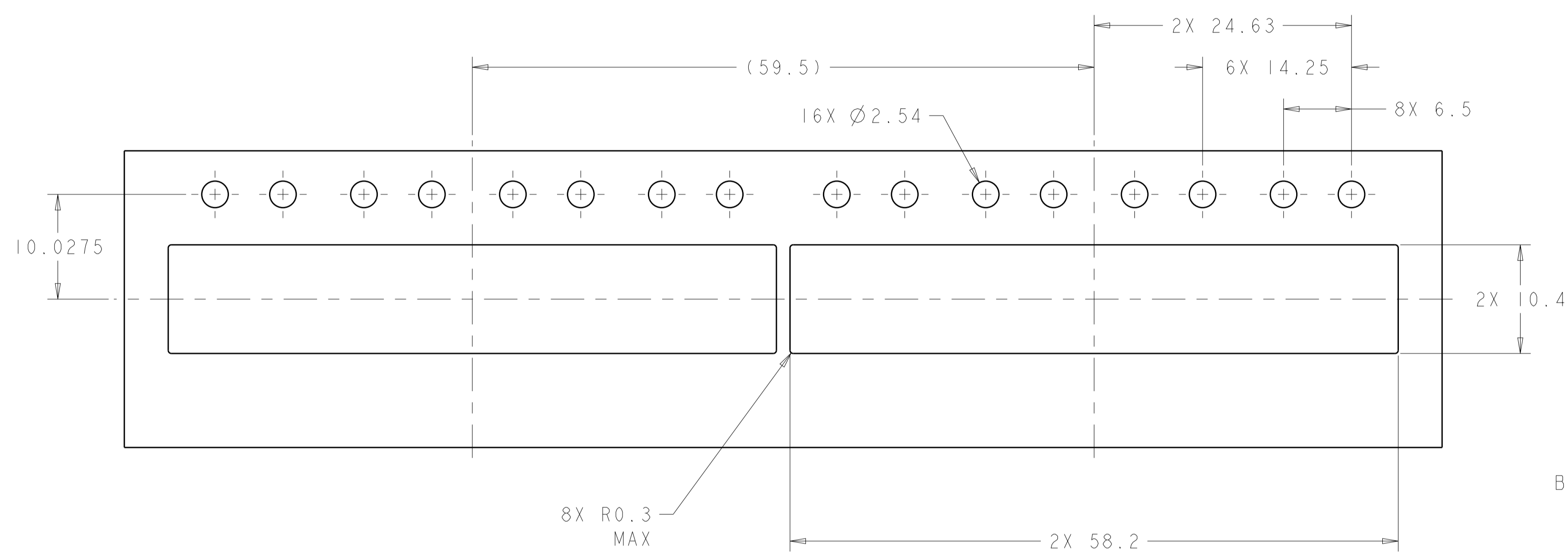


22.5	NETWORKING, TALL	2198242-4
18.1	NETWORKING, SHORT	2198242-3
15.5	SAN	2198242-2
13.2	PCI	2198242-1
A MAX	APPLICATION	PART NUMBER

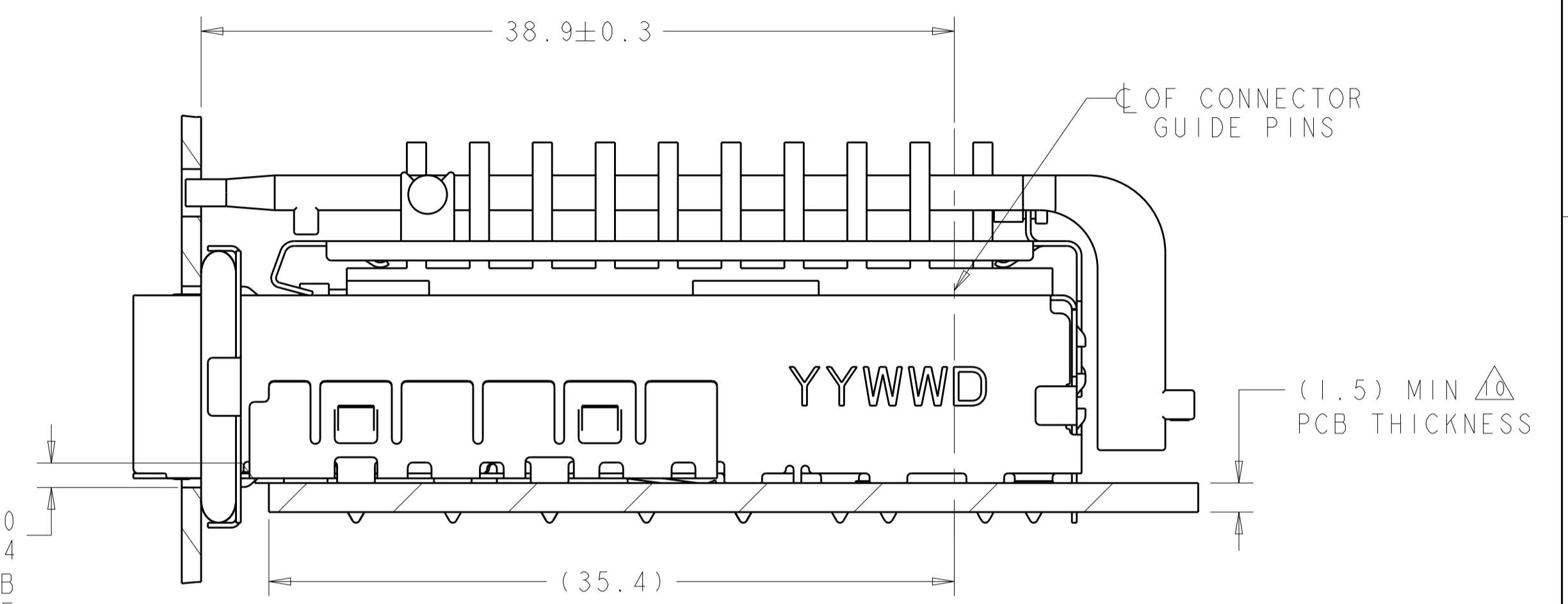
THIS DRAWING IS A CONTROLLED DOCUMENT.

DIMENSIONS:	TOLERANCES UNLESS OTHERWISE SPECIFIED:	DWN B. MATTHEWS 20OCT2011	TE Connectivity
mm	0 PLC ±0.1	CHK M. SCHMITT 20OCT2011	
	1 PLC ±0.1	APVD M. SCHMITT 20OCT2011	
	2 PLC ±0.1	PRODUCT SPEC	
	3 PLC ±0.1	108-2364	NAME SFP+ ENHANCED 1X4 CAGE ASSEMBLY, PRESS FIT, EMI GASKET WITH HEATSINK AND LIGHTPIPE
	4 PLC ±0.1	APPLICATION SPEC	SIZE CAGE CODE DRAWING NO RESTRICTED TO
	ANGLES ±1°	114-13120	A100779C=2198242
MATERIAL	FINISH	WEIGHT	Customer Drawing
			SCALE 4:1 SHEET 1 OF 3 REV A

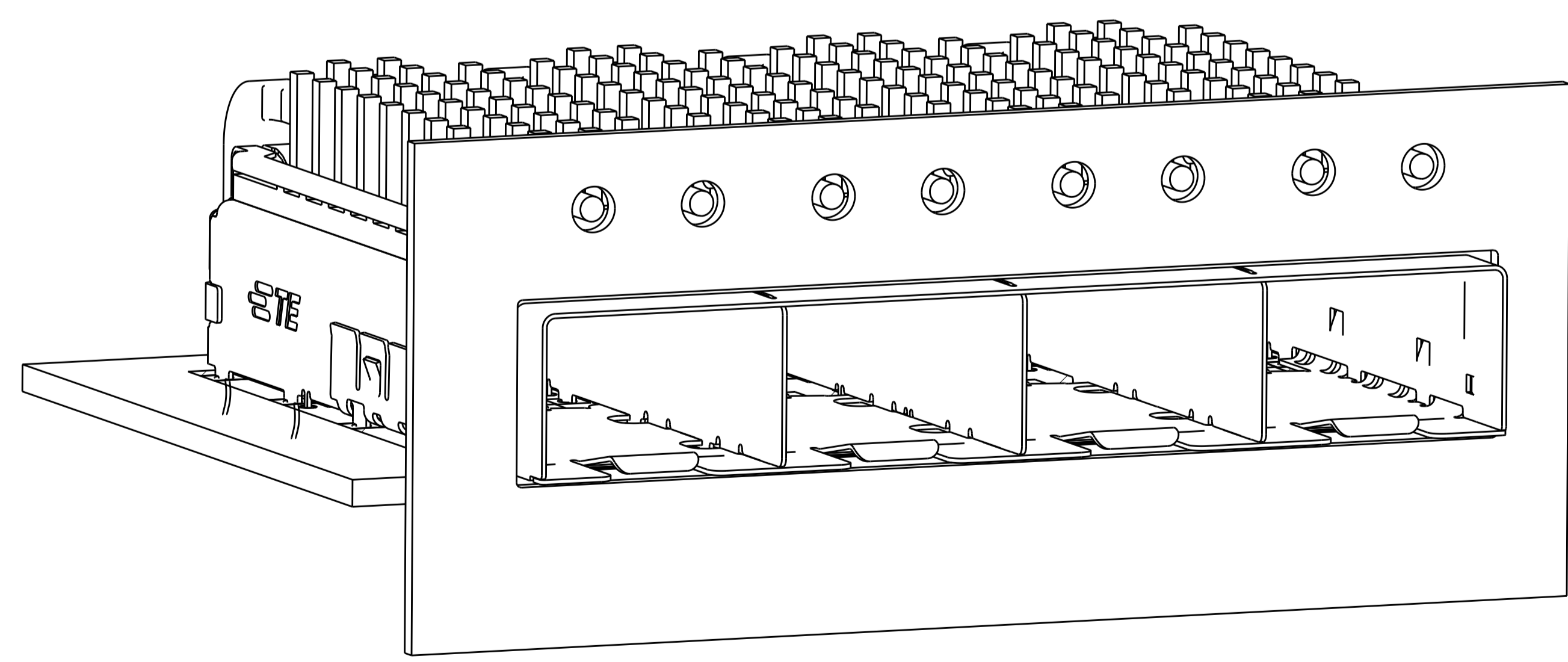
LOC	DIST	REVISIONS					
GP	00	P	LTN	DESCRIPTION	DATE	DWN	APVD
-	-	-	-	SEE SHEET 1	-	-	-



RECOMMENDED BEZEL CUT-OUT
 SINGLE SIDED APPLICATIONS
 SCALE 3:1



2198242
 MOUNTED ON PC BOARD
 SHOWN THRU RECOMMENDED BEZEL

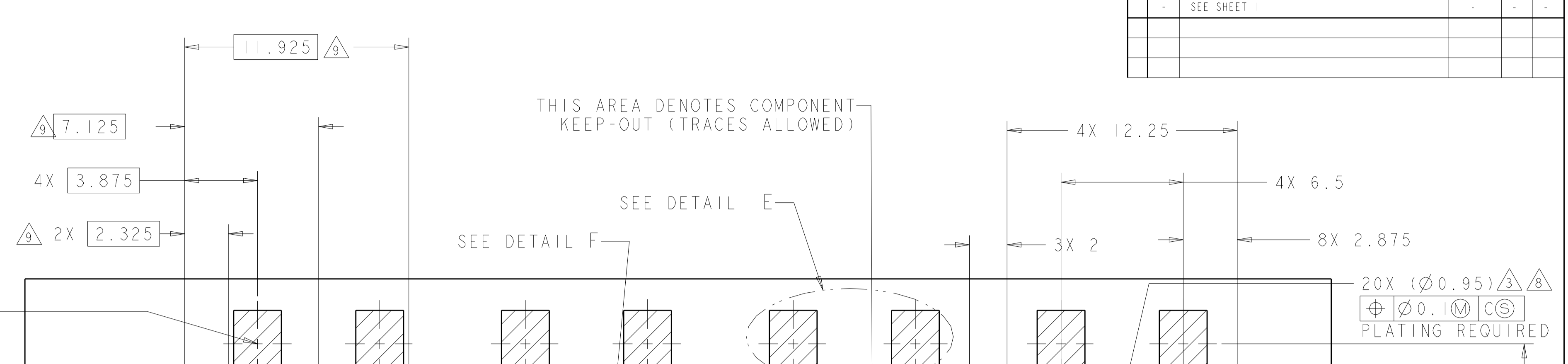
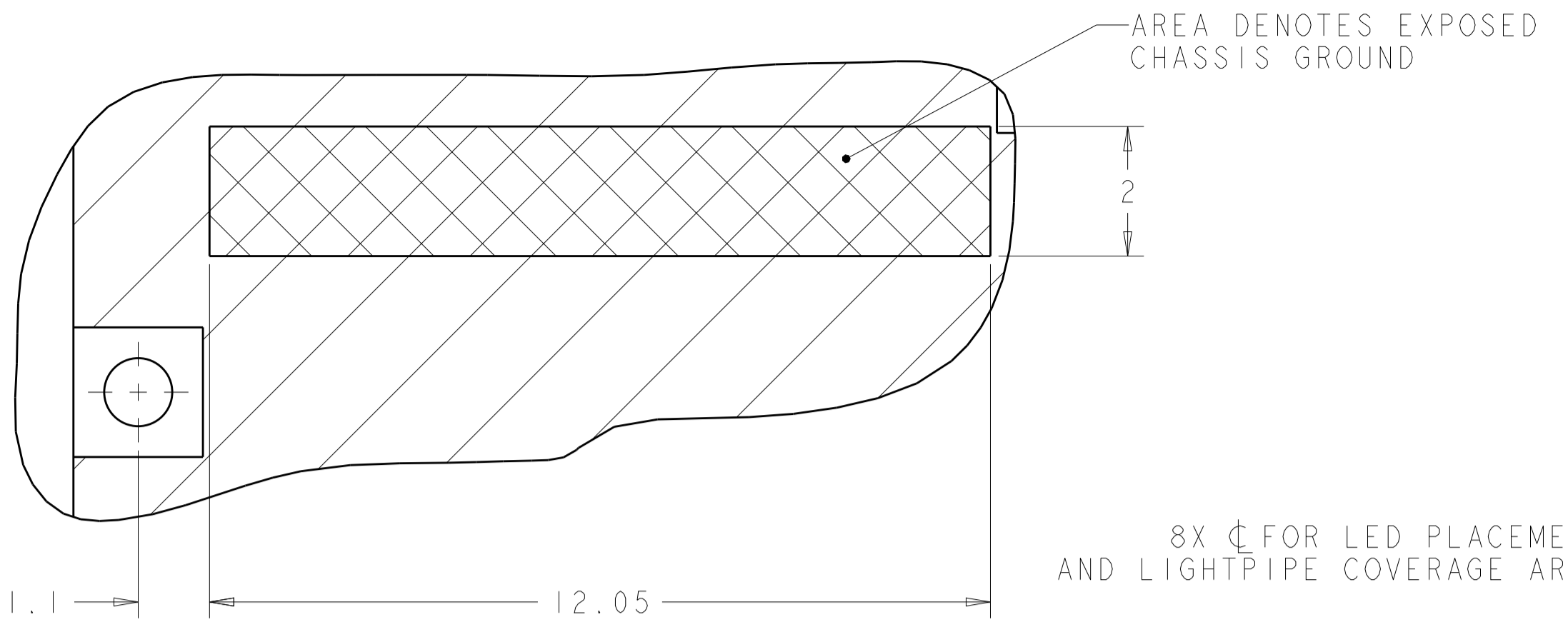


2198242
 MOUNTED ON PCB
 SHOWN THRU RECOMMENDED BEZEL

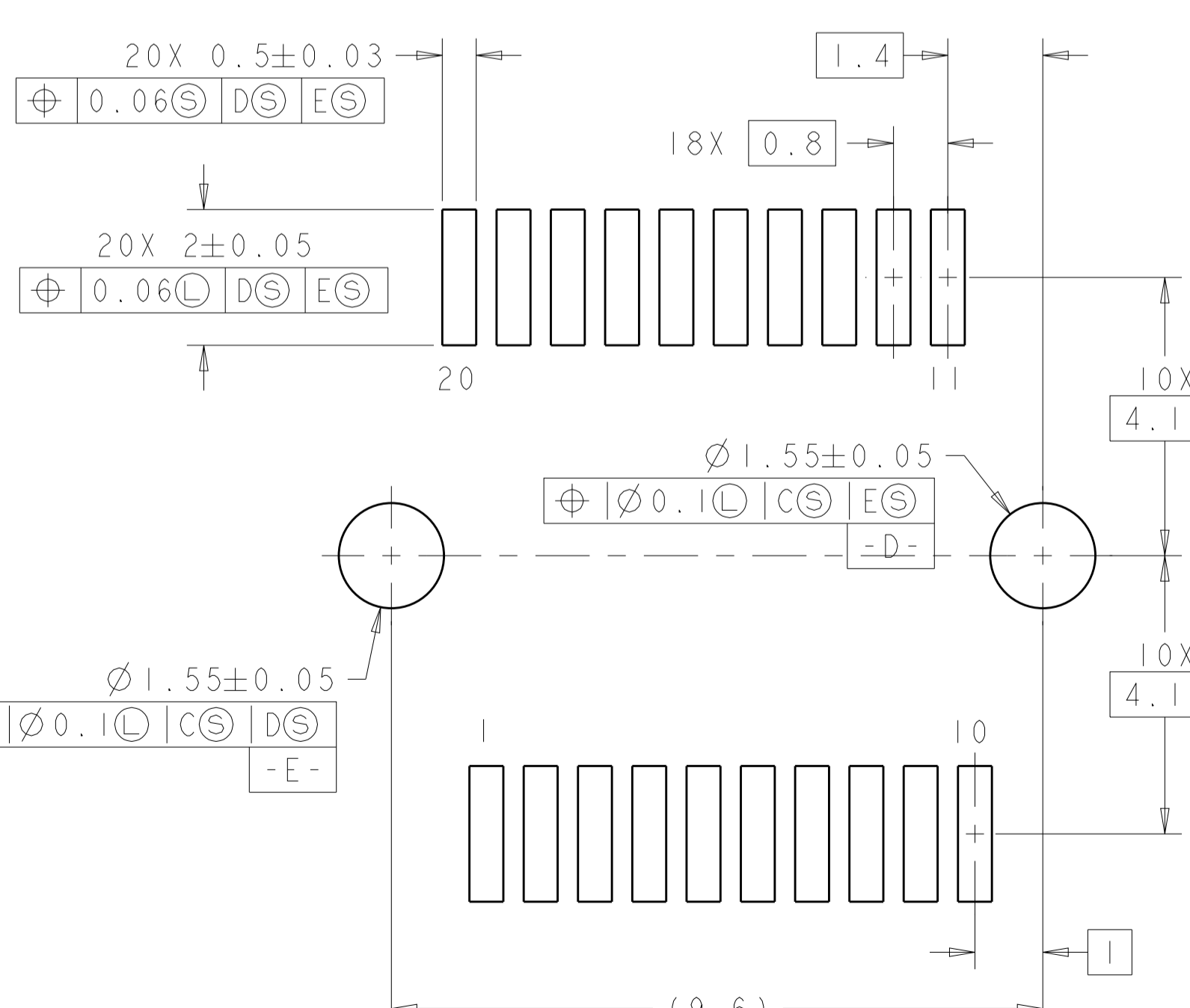
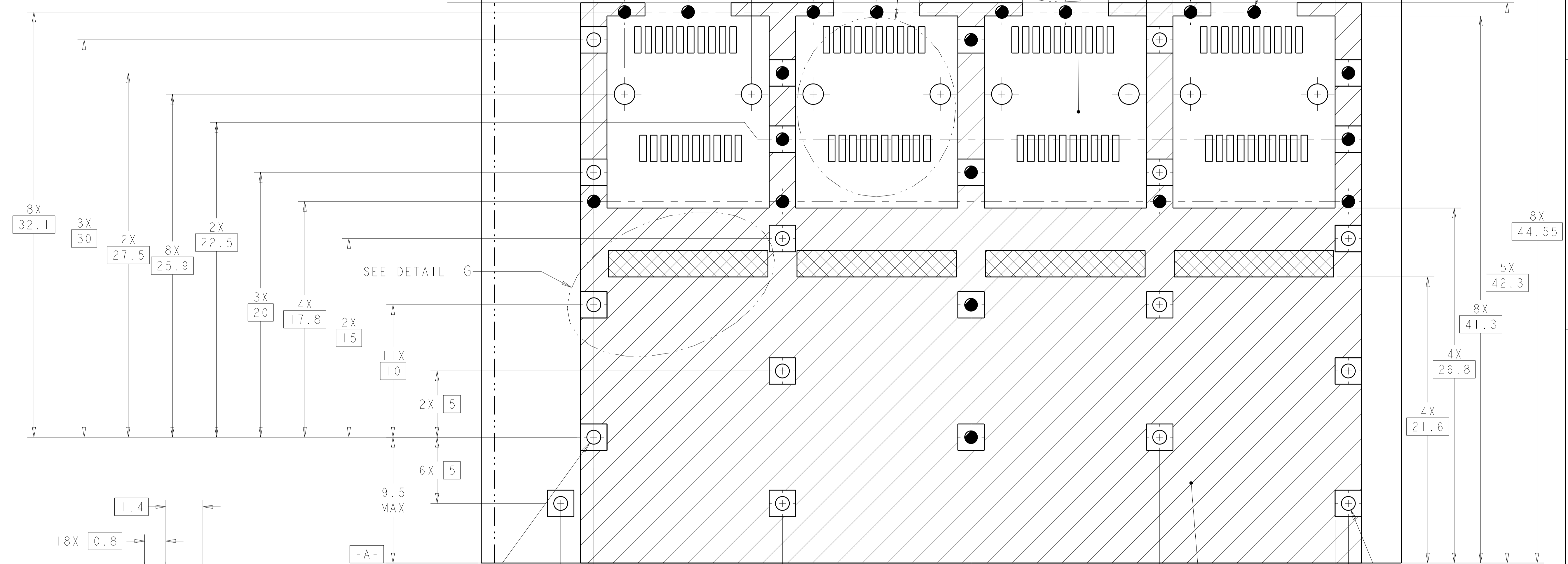
THIS DRAWING IS A CONTROLLED DOCUMENT.		DWN B. MATTHEWS 20OCT2011	TE Connectivity
DIMENSIONS: mm		CHK M. SCHMITT 20OCT2011	
TOLERANCES UNLESS OTHERWISE SPECIFIED:		APVD M. SCHMITT 20OCT2011	NAME SFP+ ENHANCED 1X4 CAGE ASSEMBLY, PRESS FIT, EMI GASKET WITH HEATSINK AND LIGHTPIPE
0 PLC ±0.1 1 PLC ±0.1 2 PLC ±0.1 3 PLC ±0.1 4 PLC ±0.1 ANGLES ±1°		PRODUCT SPEC 108-2364	SIZE CAGE CODE DRAWING NO. RESTRICTED TO
MATERIAL FINISH		APPLICATION SPEC 114-13120	A100779C=2198242
		WEIGHT	Customer Drawing SCALE 4:1 SHEET 2 OF 3 REV A

LOC	DIST	REV	DATE	APPD
GP	00			

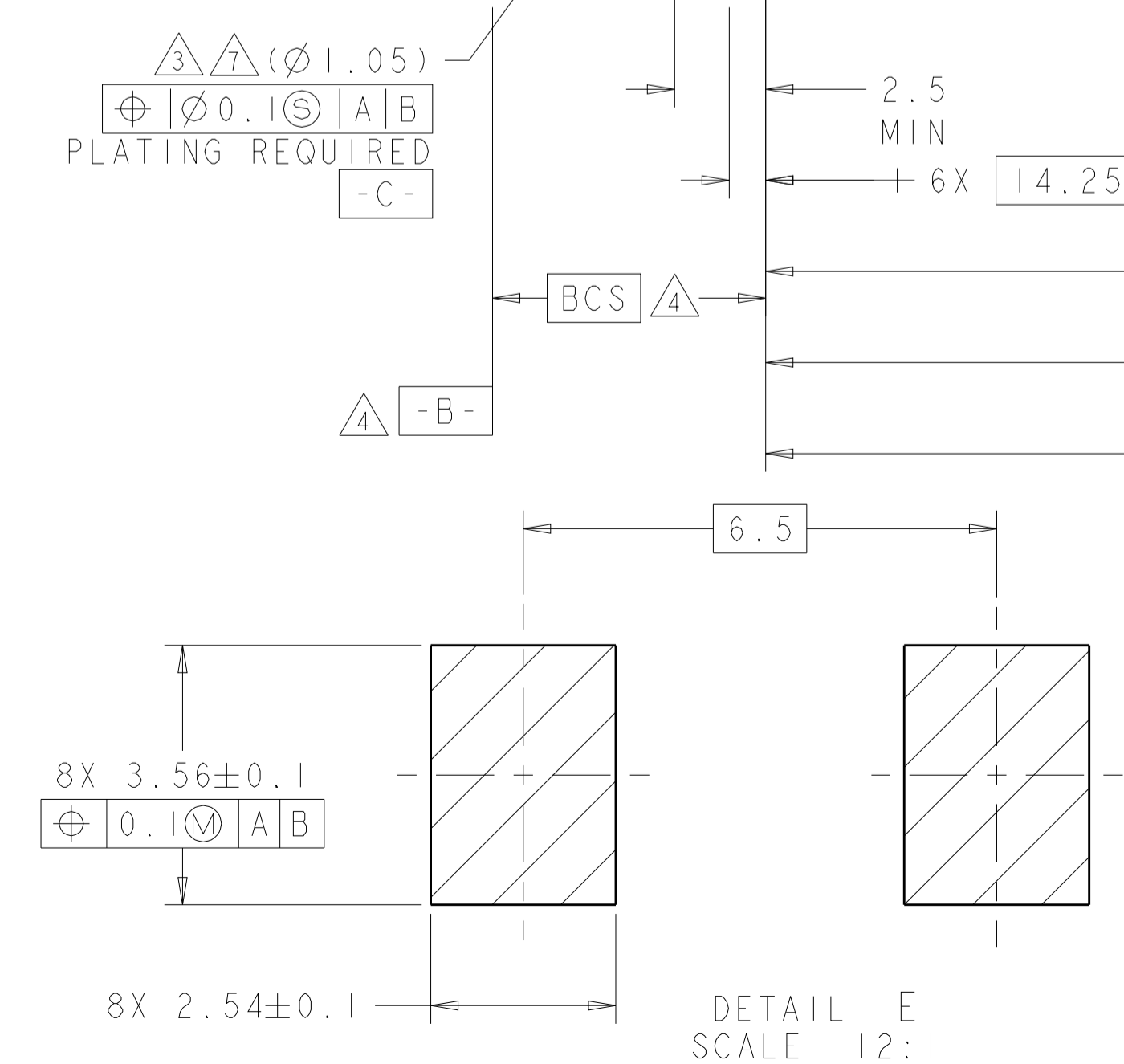
REVISIONS				
NO.	DESCRIPTION	DATE	BY	APPD
1	SEE SHEET 1			



DETAIL G
 4X INDIVIDUALLY
 SCALE 12:1



DETAIL F
 RECOMMENDED PT CONNECTOR LAYOUT
 4X INDIVIDUALLY
 SCALE 12:1



DETAIL E
 SCALE 12:1

RECOMMENDED PCB CONFIGURATION WITH KEEP-OUT AREAS

CROSS-HATCHED AREA DENOTES COMPONENT AND TRACE KEEP-OUT (EXCEPT CHASSIS GROUND)

THIS DRAWING IS A CONTROLLED DOCUMENT.		OWN: B. MATTHEWS 20OCT2011	TE Connectivity
DIMENSIONS: mm		CHK: M. SCHMITT 20OCT2011	
TOLERANCES UNLESS OTHERWISE SPECIFIED:		APVD: M. SCHMITT 20OCT2011	NAME: SFP+ ENHANCED 1X4 CAGE ASSEMBLY, PRESS FIT, EMI GASKET WITH HEATSINK AND LIGHTPIPE PRODUCT SPEC: 108-2364 APPLICATION SPEC: 114-13120 WEIGHT: - Customer Drawing
0 PLC ±0.1 1 PLC ±0.1 2 PLC ±0.1 3 PLC ±0.1 4 PLC ±0.1 ANGLES ±1°		SIZE: A100779 CAGE CODE: - DRAWING NO: 2198242 SCALE: 4:1	
MATERIAL: -		FINISH: -	RESTRICTED TO: -
SHEET 3 OF 3		REV A	

单击下面可查看定价，库存，交付和生命周期等信息

[>>TE Connectivity\(泰科\)](#)