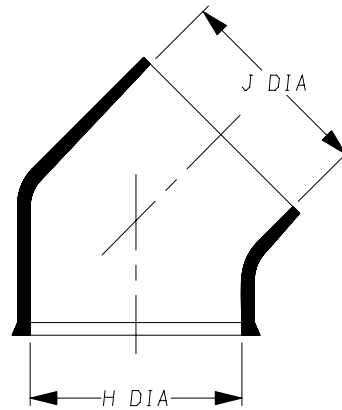
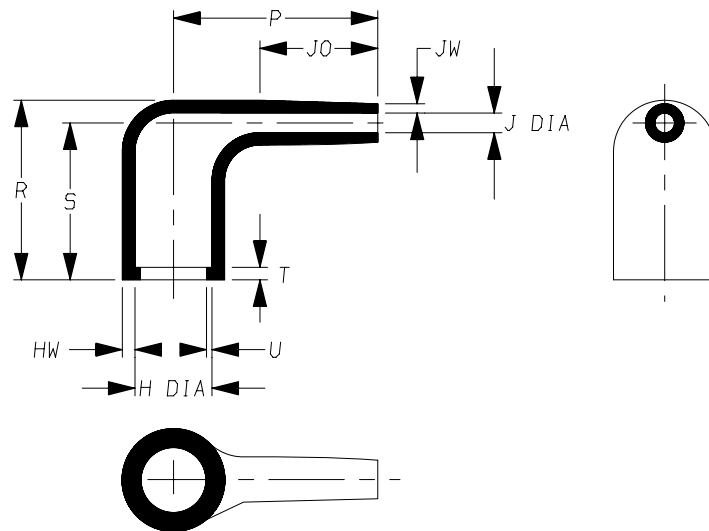


224W201

a) Part as supplied.



b) Part after unrestricted recovery.



**DIMENSIONS** in millimetres  
(in inches, for reference)

Part No.	H		J		P	R	S	T	U	JO	HW	JW
	Min a	Max b	Min a	Max b	±10% b	±10% b	±10% b	±10% b	±10% b	±10% b	±20% b	±20% b
224W201	11 (0.43)	5.2 (0.20)	9.0 (0.35)	1.6 (0.06)	13 (0.51)	11.5 (0.45)	10 (0.39)	0.8 (0.03)	0.35 (0.01)	7.5 (0.30)	0.8 (0.03)	0.6 (0.02)

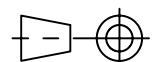
**Copyright (!)**

The copyright in this drawing is the property of Tyco Electronics UK Ltd. The drawing is issued on the condition that it is not copied, reproduced or disclosed to a third party, either in whole or in part without the prior written consent of Tyco Electronics UK Ltd.

Drawn A.LILLEY. Checked Issue 1 Date April 2006

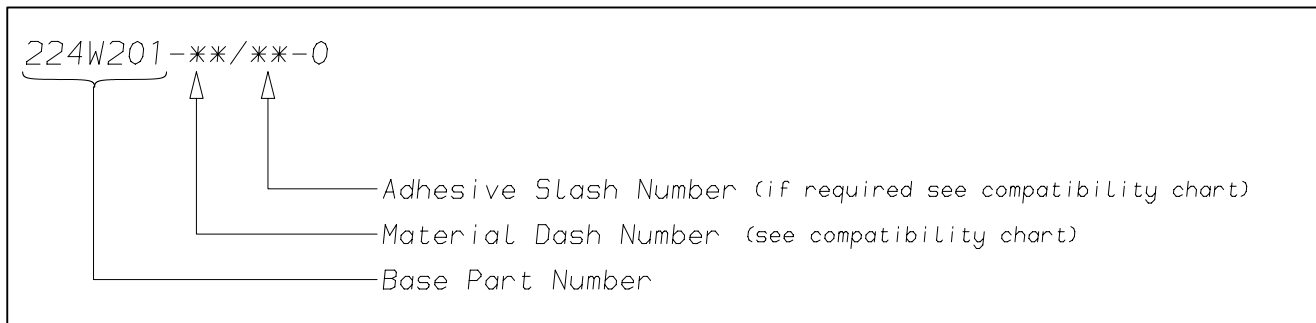
Conforms to ISO Recommendations  
3rd Angle Projection  
Not to Scale

Approval Design MKTG. Q.A.



<b>Raychem</b>		<b>Specification Control Drawing</b>	Part Number <b>224W201</b>	Issue 1
Iss.	Date	E.C.R. No.	Details of Change	

### (Ordering Information)



### (COMPATIBILITY CHART)

Material Dash Number	Material Description	SPEC Number	Coating Slash Number
-3	POLYOLEFIN, SEMI-RIGID	RT-301, RK-6703	/42, /86, /180
-4	POLYOLEFIN, FLEXIBLE	RT-1304, RK-6704	/42, /86
-25	ELASTOMER, FLUID RESISTANT	RT-1325, RK-6713	/42, /86, /225
-130	POLYOLEFIN, COMMERCIAL FLEXIBLE	RW-2008	/42

#### NOTES

- ① As supplied dimensions are for uncoated parts, when coating is added entry diameters will reduce by 1.5mm Max.

Tyco electronics UK Ltd. Faraday Road, Swindon, Wiltshire, SN3 5HH England Telephone: (01793) 528171 Fax: 572516	Tyco electronics Corporation 300, Constitution Drive, Menlo Park, CA 94025 USA Telephone (650) 361-3860 Fax: (650) 361-5579
Cage Code K1010	Cage Code 06090

单击下面可查看定价，库存，交付和生命周期等信息

[>>TE Connectivity\(泰科\)](#)