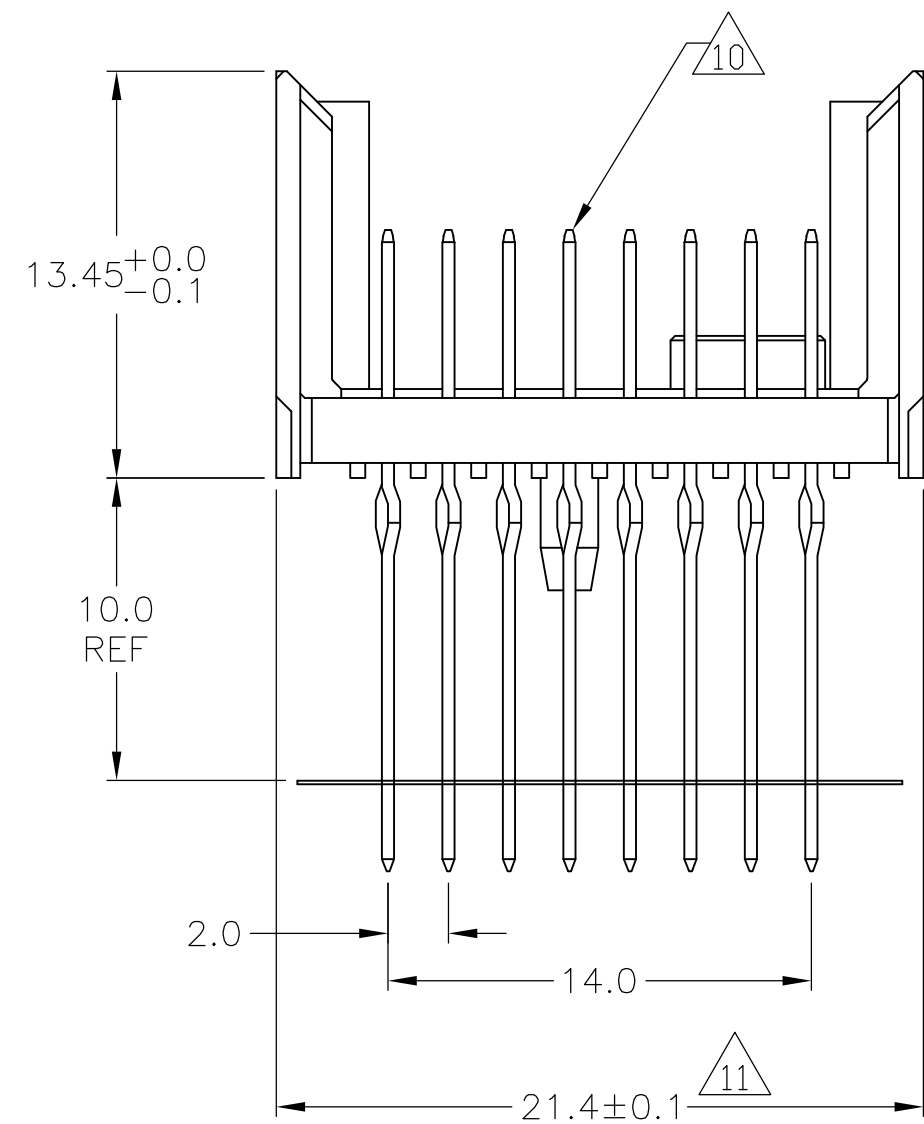
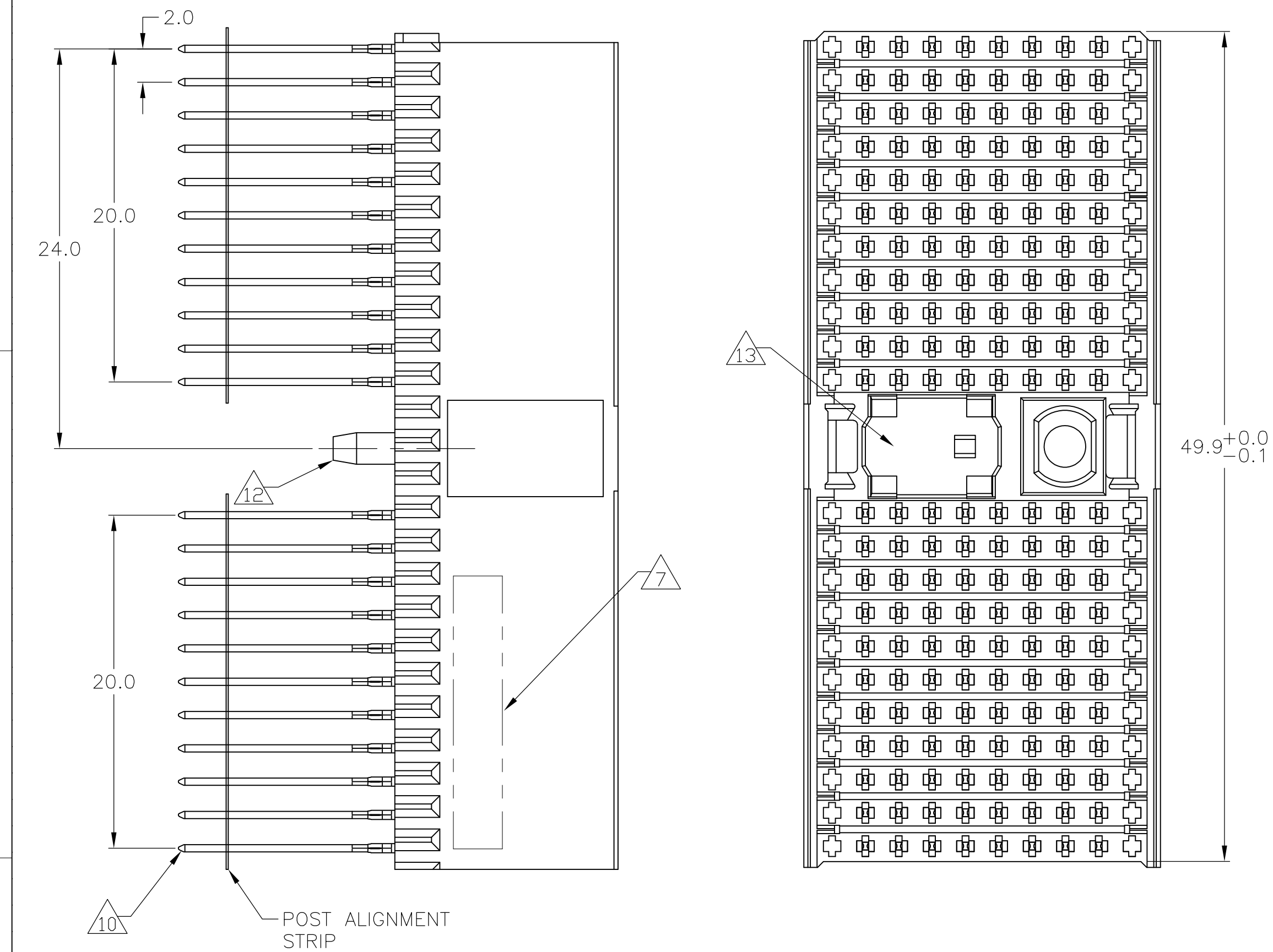
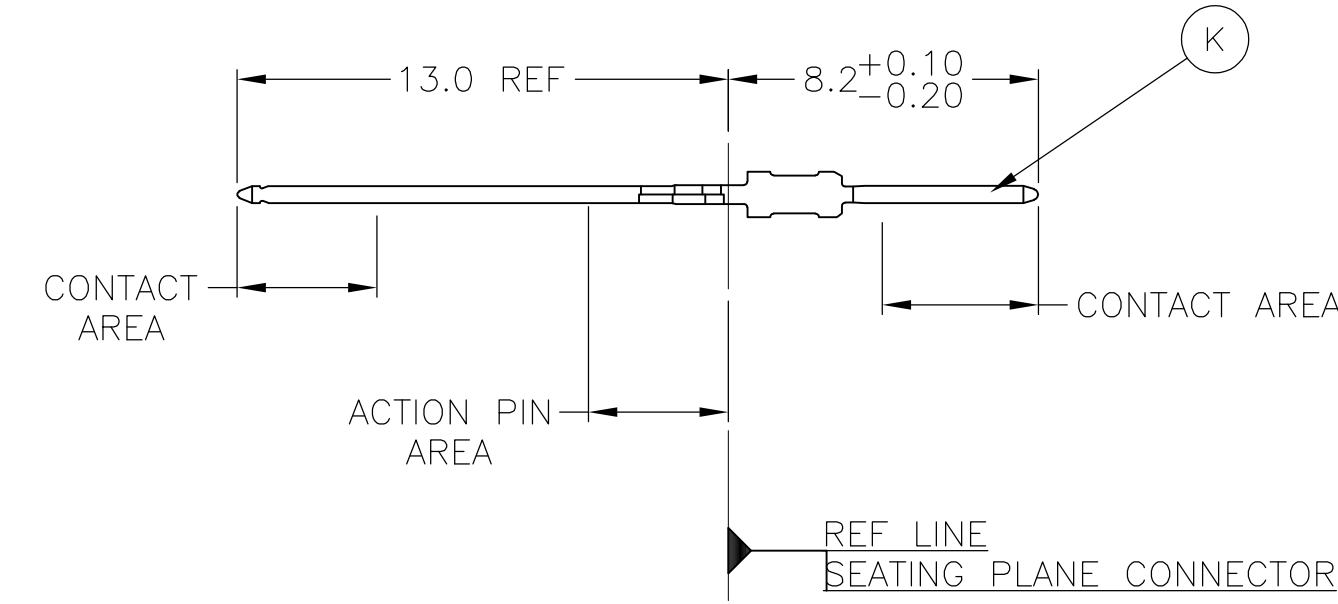


CONNECTOR ASSEMBLY EXAMPLARY LOADED



CONTACT DIMENSIONS

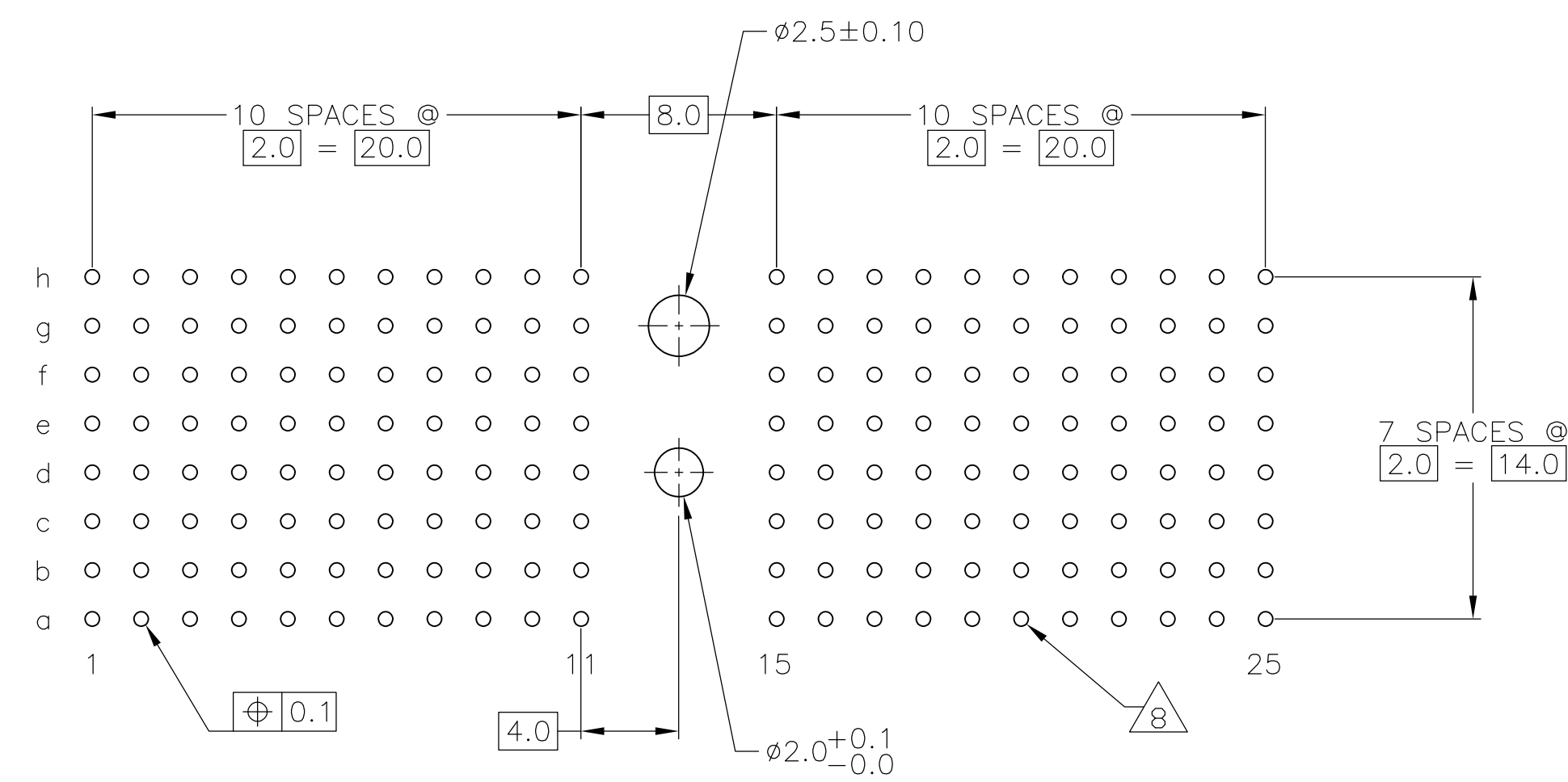
SCALE 5:1



CONTACT LAYOUT

| | z | a | b | c | d | e | f | g | h | i |
|----------------------|---|---|---|---|---|---|---|---|---|---|
| 1 | K | K | K | K | K | K | K | K | | |
| 2 | K | K | K | K | K | K | K | K | | |
| 3 | K | K | K | K | K | K | K | K | | |
| 4 | K | K | K | K | K | K | K | K | | |
| 5 | K | K | K | K | K | K | K | K | | |
| 6 | K | K | K | K | K | K | K | K | | |
| 7 | K | K | K | K | K | K | K | K | | |
| 8 | K | K | K | K | K | K | K | K | | |
| 9 | K | K | K | K | K | K | K | K | | |
| 10 | K | K | K | K | K | K | K | K | | |
| 11 | K | K | K | K | K | K | K | K | | |
| MULTI PURPOSE CENTER | | | | | | | | | | |
| 15 | K | K | K | K | K | K | K | K | | |
| 16 | K | K | K | K | K | K | K | K | | |
| 17 | K | K | K | K | K | K | K | K | | |
| 18 | K | K | K | K | K | K | K | K | | |
| 19 | K | K | K | K | K | K | K | K | | |
| 20 | K | K | K | K | K | K | K | K | | |
| 21 | K | K | K | K | K | K | K | K | | |
| 22 | K | K | K | K | K | K | K | K | | |
| 23 | K | K | K | K | K | K | K | K | | |
| 24 | K | K | K | K | K | K | K | K | | |
| 25 | K | K | K | K | K | K | K | K | | |

RECOMMENDED PCB-HOLE LAYOUT COMPONENT SIDE SHOWN



PLATED THRU HOLES PARAMETERS

REFERENCE APPLICATION SPECIFICATION

| | | | |
|--------|---|----|-------------|
| 2 | 3 | 15 | 3-646372-0 |
| 2 | 6 | 14 | 1-646372-9 |
| 2 | 5 | 14 | 646372-9 |
| 2 | 4 | | 646372-4 |
| 2 | 3 | | 646372-1 |
| FINISH | | | PART NUMBER |

THIS DRAWING IS A CONTROLLED DOCUMENT.

| | | | | | | |
|----------------|--|----------------------|---------------|----------------------|--------------------------------------|---|
| DIMENSIONS: mm | TOLERANCES UNLESS OTHERWISE SPECIFIED: | APPROVED: G. SKIPPER | DATE: 13JUL05 | DESIGNED: S. WAITMAN | DATE: 13JUL05 | Tyco Electronics Corporation Harrisburg, Pa 17105-3608 |
| 0-PLC ± | ±0.2 | PRODUCT SPEC | 108-1622 | NAME | MALE ASSEMBLY, Z-PACK 2mm HM, TYPE D | RESTRICTED TO |
| 1-PLC ±0.1 | ±0.2 | APPLICATION SPEC | 114-19029 | SIZE | A1 | 00779 |
| 2-PLC ± | ±0.2 | WEIGHT | — | CAGE CODE | 00779 | 646372 |
| 3-PLC ± | ±0.2 | CUSTOMER DRAWING | SCALE 4:1 | DRAWING NO | 1 OF 2 | REV J |
| 4-PLC ± | ±0.2 | | | | | |
| ANGLES ± | ±0.1 | | | | | |
| MATERIAL | FINISH SEE TABLE | | | | | |

| LOC | | DIST | | REVISIONS | | | | |
|-----|-----|-------------|------|-----------|------|--|--|--|
| P | LTR | DESCRIPTION | DATE | DN | APVO | | | |
| AD | 00 | SEE SHEET 1 | - | - | - | | | |

- 1 MATERIAL:
CONTACT: PHOSPHOR BRONZE.
HOUSING: GLASS-FILLED POLYESTER.
- 2 GENERAL PLATING SPECIFICATION: UNDERPLATING
(ENTIRE CONTACT): 1.27µm MIN NICKEL AND ACTION
PIN: 0.5µm MIN TIN LEAD.
FOR PLATING OF MATING SURFACES SEE APPLICABLE
SPECIFICATION REFERENCE FOR EACH DASH NUMBER.
- 3 CONFORMS TO ALL TESTING ACCORDING TO IEC 61076-4-101
PERFORMANCE LEVEL 2.
- 4 CONFORMS TO ALL TESTING ACCORDING TO IEC 61076-4-101
PERFORMANCE LEVEL 1.
- 5 CONNECTOR TESTED AND QUALIFIED AGAINST TELCORDIA GR-1217-CORE QUALITY LEVEL 3,
CENTRAL OFFICE APPLICATIONS.
- 6 CONNECTOR TESTED AND QUALIFIED AGAINST TELCORDIA GR-1217-CORE QUALITY LEVEL 3,
UNCONTROLLED ENVIROMENT APPLICATIONS.
- 7 CONNECTOR MARKED WITH PART NUMBER AND DATE CODE.
ADDITIONAL CHARACTERS OR MARKINGS, AS WELL AS THE LOCATION OF THE MARKINGS,
MAY BE ADDED FOR TRACEABILITY BASED UPON MANUFACTURERS DISCRETION.
- 8 PLATED-THROUGH HOLES AT 2x2mm SQUARE GRID
PATTERN DEFINED BY CONTACT LAYOUT.
- 9 FOR ACTUAL PIN LOADING SEE "CONTACT LAYOUT".
- 10 FOR ACTUAL PIN DIMENSIONS SEE "CONTACT DIMENSIONS".
- 11 TO BE MEASURED AT BOTTOM OF SHROUD.
- 12 POLARIZATION FEATURE.
- 13 AREA RESERVED FOR KEYING PART (BASIC P/N 100525).
- 14 CONNECTOR LUBRICATED WITH BELCORE APPROVED LUBRICANT,
TECHNICAL REFERENCE: TR-NWT-001217 ISSUE 1, SEP 1992.
- 15 0.76µm MIN GOLD PLATING AT MATING SURFACES.

| | | | | | |
|---|--|-------------------------|--|---|--|
| THIS DRAWING IS A CONTROLLED DOCUMENT. | | DIN S. WAITMAN 13JUL05 | | Tyco Electronics Corporation Harrisburg, Pa 17105-3608 | |
| DIMENSIONS: mm | | GSK G. SKIPPER 13JUL05 | | Tyco Electronics | |
| TOLERANCES UNLESS OTHERWISE SPECIFIED: ±0.2 | | APVO G. SKIPPER 13JUL05 | | NAME | |
| 0-PLG ± | | PRODUCT SPEC | | MALE ASSEMBLY, Z-PACK 2mm HM, TYPE D | |
| 1-PLG ±0.1 | | 108-1622 | | SIZE | |
| 2-PLG ± | | APPLICATION SPEC | | CAGE CODE | |
| 3-PLG ± | | 114-19029 | | DRAWING NO | |
| 4-PLG ± | | WEIGHT | | A1 00779 | |
| ANGLES ± | | CUSTOMER DRAWING | | C=646372 | |
| MATERIAL SEE SHEET 1 | | FINISH SEE SHEET 1 | | SCALE 4:1 | |
| | | | | SHEET 2 OF 2 | |
| | | | | REV J | |

单击下面可查看定价，库存，交付和生命周期等信息

[>>TE Connectivity\(泰科\)](#)