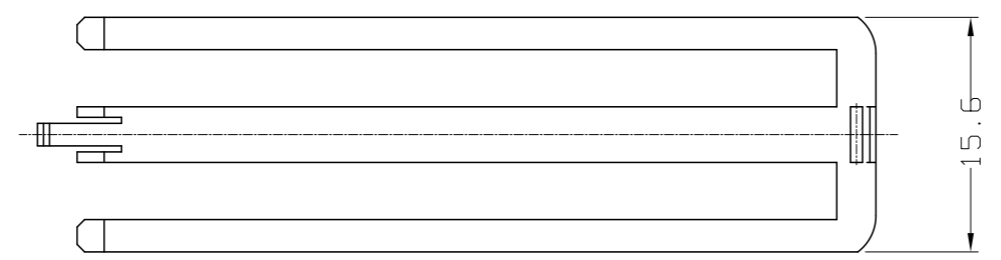
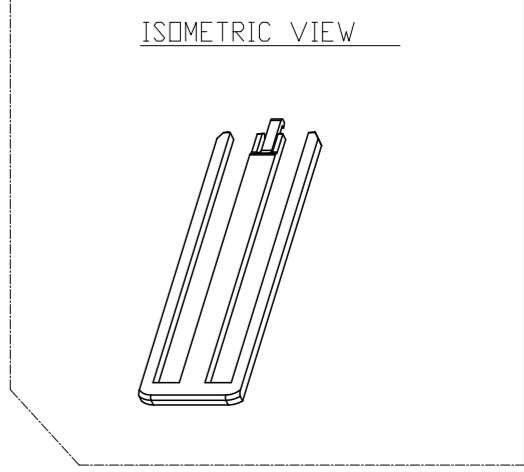
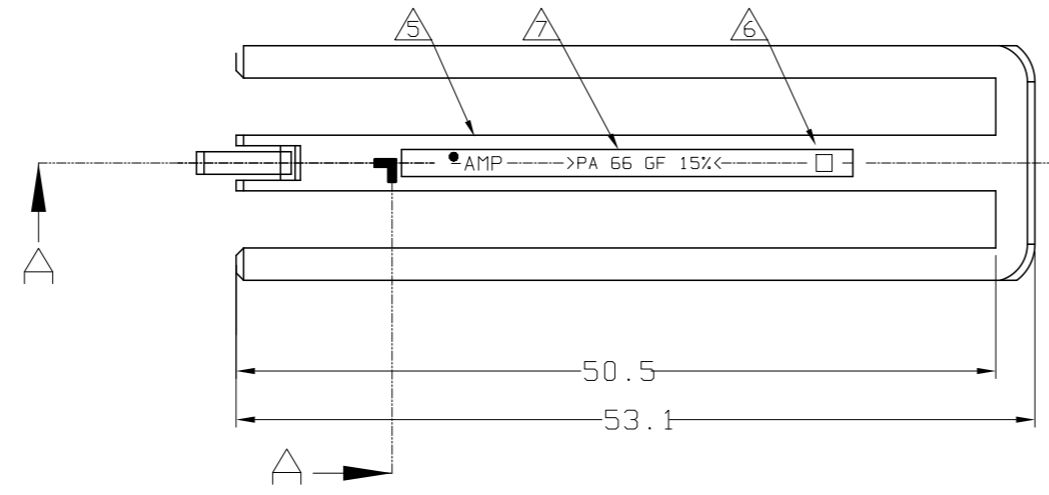


THIS DRAWING IS UNPUBLISHED. RELEASED FOR PUBLICATION .1997 .
 © COPYRIGHT 1997 BY AMP INCORPORATED. ALL RIGHTS RESERVED.

| LOC | DIST | REVISIONS | | | |
|-----|------|----------------------------|------------|-----|------|
| P | LTR | DESCRIPTION | DATE | DWN | APVD |
| | 0 | RELEASED ECN(FC00-0016-99) | 05/FEB/'99 | JW | CS |
| | A | REVISED ECN(FC00-0067-02) | 30/APR/'02 | JW | CS |
| | B | REVISED ECN(FC00-0150-02) | 21/DEC/'02 | JW | CS |
| | C | REVISED (ECR-07-015887) | 13/DEC/'07 | DR | JK |
| | C1 | REVISED (ECR-19-017552) | 12/NOV/'19 | JH | YJ |



NOTE.
 1. APPLICABLE ASS'Y CONNECTOR FOR
 (A) JPT&MQS 81Pos.; P/N:368290-1
 (2) AMP TREAD MARK
 (3) CAVITY MARK
 (4) RECYCLE MARKING

| COLOR | MATERIAL | DESCRIPTION | PART NO |
|--------|-----------|--------------------------|--------------------|
| YELLOW | PA66-GF15 | RETAINER HSG(CHINA ONLY) | 9 - 3 6 8 2 9 7- 1 |
| YELLOW | PA66-GF15 | RETAINER HSG | 3 6 8 2 9 7- 1 |

| | | | | | |
|---|---------------------|----------------------|---|--------------------|---------------------------|
| THIS DRAWING IS CONTROLLED DOCUMENT FOR AMP INCORPORATED. IT IS SUBJECT TO CHANGE AND THE CONTROLLING ENGINEERING ORGANIZATION SHOULD BE CONTACTED FOR THE LATEST REVISION. | | DWNRD GOD | AMP KOREA. kyungsan, korea | | |
| DIMENSIONS: MM | | CHKYM CHOI | | | |
| TOLERANCES UNLESS OTHERWISE SPECIFIED: 0 <XX<10 ± 0.2 10<XX<30 ± 0.25 30<XX ± 0.3 ANGLES ± 3° | | APVDJK SONG | NAME RETAINER HOUSING FOR MQS 76Pos. | | |
| 3rd ANGLE PROJECTION | | PRODUCT SPEC --- | | | |
| MATERIAL SEE TABLE | FINISH SEE TABLE | APPLICATION SPEC --- | SIZE A3 | CAGE CODE 00779 | DRAWING NO 3 6 8 2 9 7 |
| | | WEIGHT --- | SCALE 1/1 | SHEET 1 OF 1 | REV C1 |

单击下面可查看定价，库存，交付和生命周期等信息

[>>TE Connectivity\(泰科\)](#)