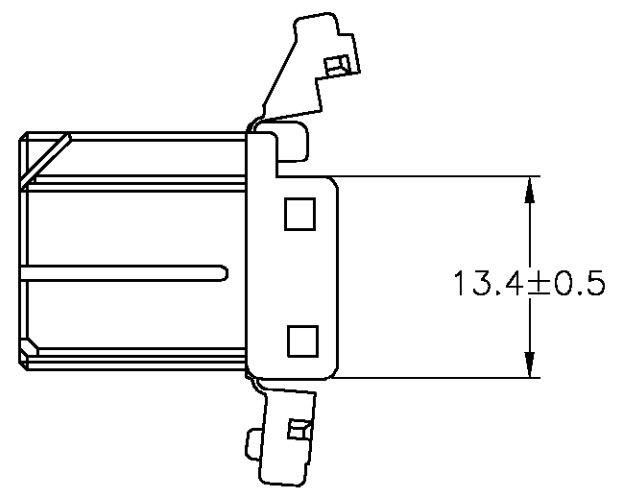
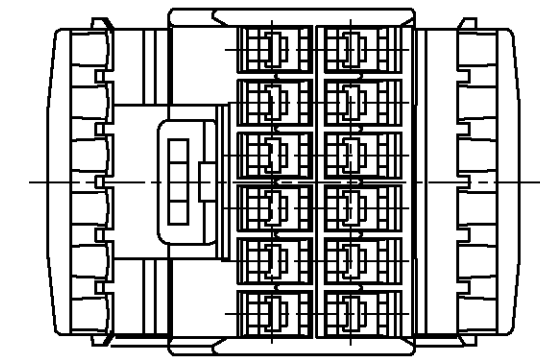
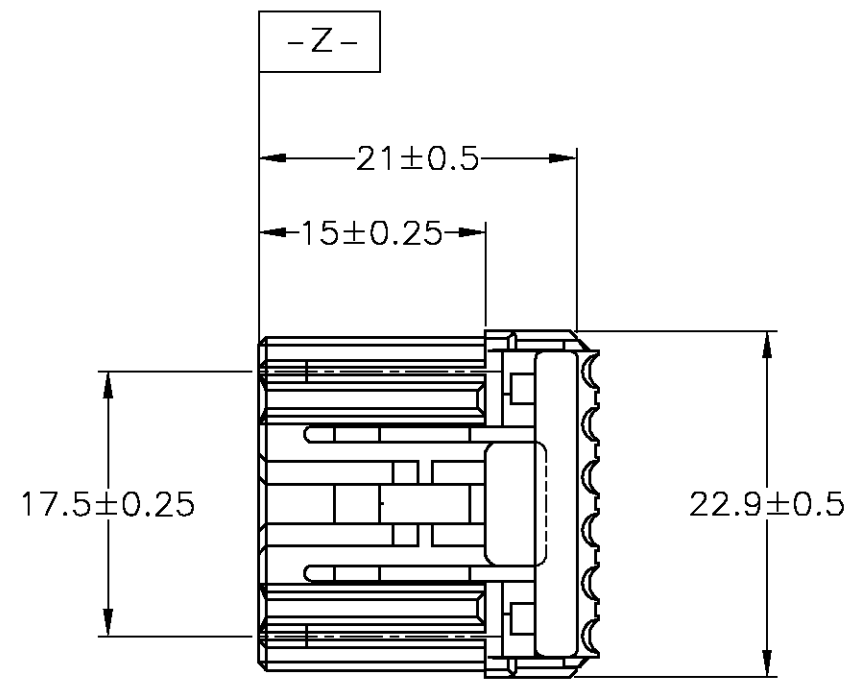
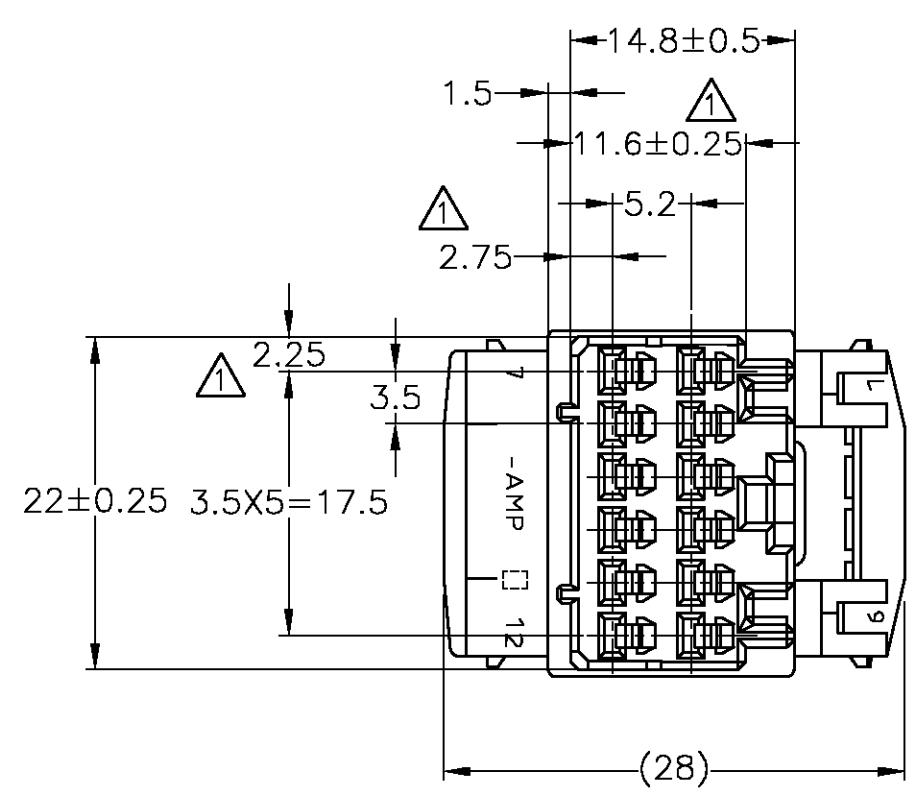


THIS DRAWING IS UNPUBLISHED. RELEASED FOR PUBLICATION
 © COPYRIGHT BY TYCO ELECTRONICS CORPORATION. ALL RIGHTS RESERVED.

LOC	DIST	REVISIONS					
J	-	P	LTR	DESCRIPTION	DATE	DWN	APVD
		B		REDRAWN W/CHANGE FJA0-0046-04	12FEB2004	Y.S	Y.F



- ① MUST BE KEPT BETWEEN **-Z-** AND 2mm.
- 2. THE MATING CAP HSG PART NUMBER; 175444, 175448
- 3. APPLIED CONTACT PART NUMBER; 173630, 173631

- ① **-Z-** 面より 2mm の範囲で測定。
- 2. 嵌合相手ハウジング型番; 175444, 175448
- 3. 内装するコンタクト型番; 173630, 173631

ORANGE	917635-8
GRAY	917635-6
BLUE	917635-1
COLOR	PART NUMBER

THIS DRAWING IS A CONTROLLED DOCUMENT.		DWN Y.SAKURAI 12FEB2004	Tyco Electronics AMP K.K. Kawasaki, Japan	
DIMENSIONS: 単位: 耗 MM		CHK E.TAKIZAWA 12FEB2004		
TOLERANCES UNLESS OTHERWISE SPECIFIED: 一般公差		APVD Y.FUJIWARA 12FEB2004	NAME 名称 12POSITION PLUG HOUSING	
0-PLC ± 1-PLC ± ± 0.2 2-PLC ± ± 3° 3-PLC ± ± 4-PLC ± ± ANGLES ±		PRODUCT SPEC 製品規格 108-5280	040 / 070 SERIES HYBRID I/O CONNECTOR	
MATERIAL 材料 PBT		FINISH 仕上	APPLICATION SPEC 取付適用規格	RESTRICTED TO
		WEIGHT 4.5g	SIZE A3	CAGE CODE 00779
		CUSTOMER DRAWING	DRAWING NO 番号 C-917635	SCALE 尺度 2:1
			SHEET 1 OF 1	REV B

单击下面可查看定价，库存，交付和生命周期等信息

[>>TE Connectivity\(泰科\)](#)