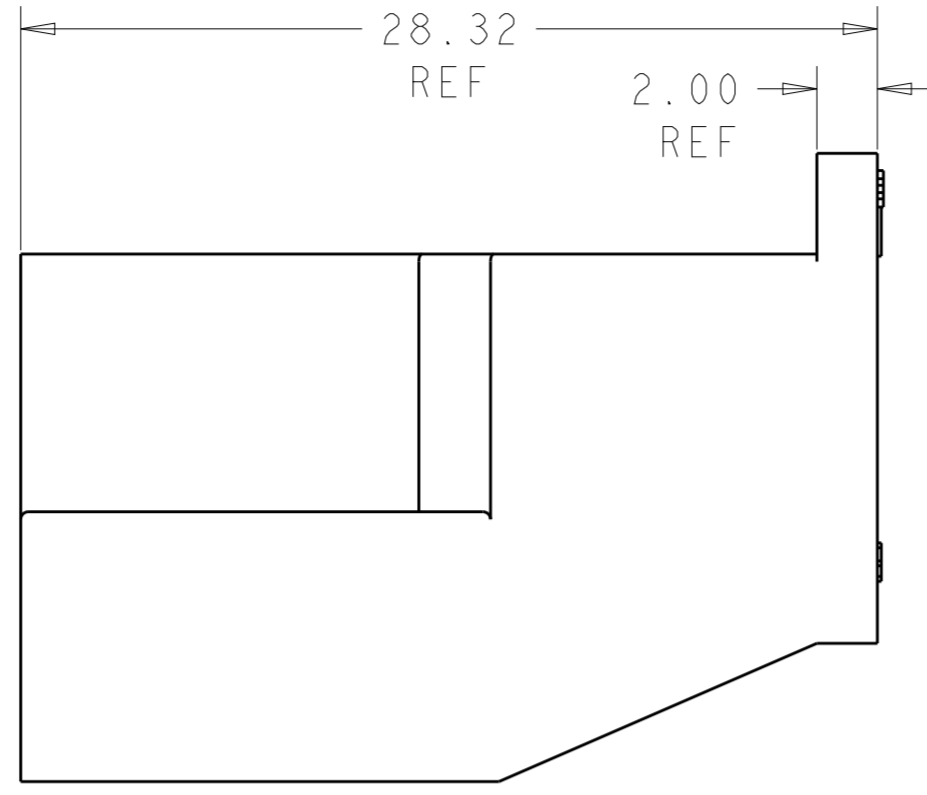


THIS DRAWING IS UNPUBLISHED. RELEASED FOR PUBLICATION 20
 © COPYRIGHT 20 BY - ALL RIGHTS RESERVED.

LOC	DIST	REVISIONS					
AF	50	P	LTR	DESCRIPTION	DATE	DWN	APVD
				C6 REVISED PER ECR-19-006609	02MAY2019	BDA	DS

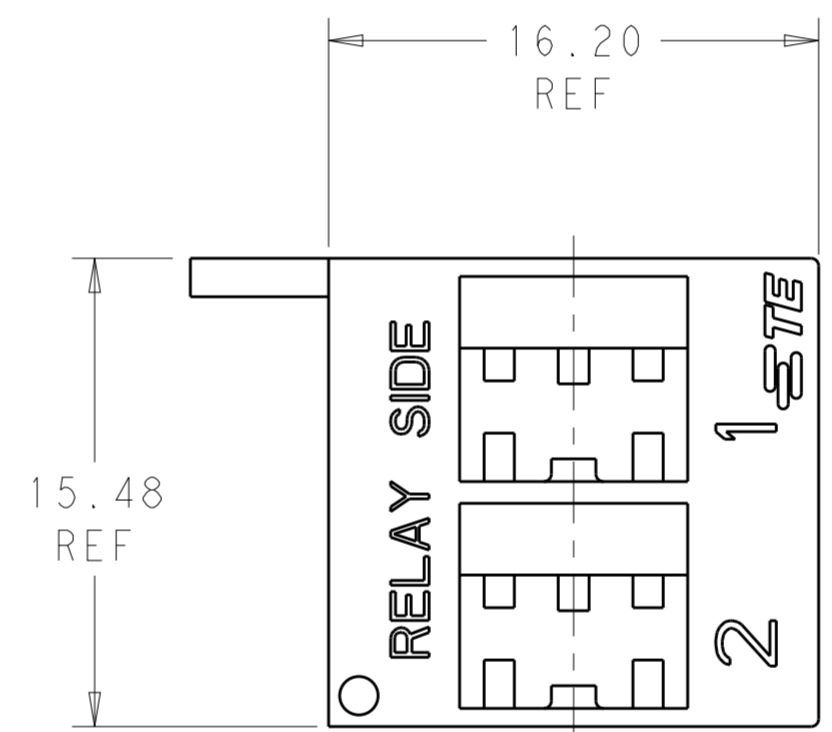
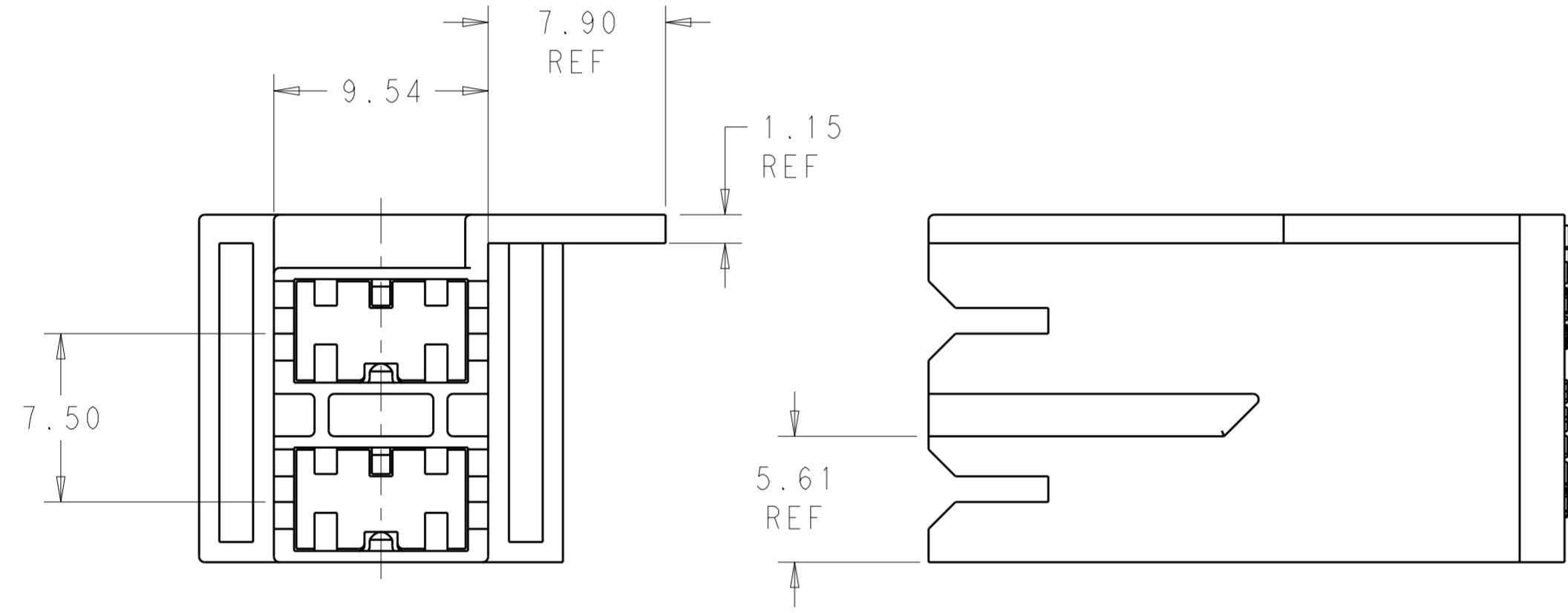


1 ACCEPTS RECEPTACLE CONTACTS 1-160759-1 (20-16) AWG, 154718-3 (18-14) AWG, 154717-3 (14-11) AWG.

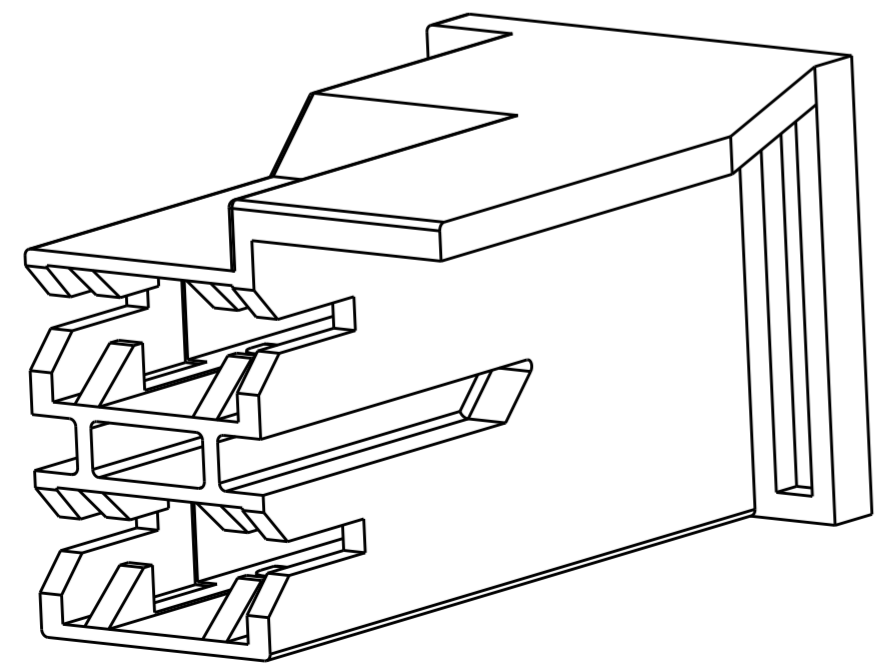
~~2 PREPRODUCTION ONLY - FASR REQUIRED.~~

3 DUE TO LIGHT PIGMENTATION, THE PARTS MAY HAVE SOME COLOR VARIATION/MARBLING.

4 PRELIMINARY- NOT FOR PRODUCTION



NYLON V0 GWT	BLACK	1-1969717-2
NYLON V0 GWT	NATURAL	1-1969717-1
NYLON V0	BLACK	1969717-6
NYLON V0	NATURAL	1969717-5
NYLON V0	GREEN Δ 3	Δ 4 1969717-4
NYLON V0	YELLOW Δ 3	1969717-3
MATERIAL	COLOR	PART NO.



THIS DRAWING IS A CONTROLLED DOCUMENT.

DIMENSIONS: mm	TOLERANCES UNLESS OTHERWISE SPECIFIED: 0 PLC \pm 1 PLC \pm 2 PLC ± 0.25 3 PLC \pm 4 PLC \pm ANGLES \pm FINISH	DWN B WAYNE 15JAN15 CHK DAVE HUMPHREY 15JAN15 APVD DAVE HUMPHREY 15JAN15	TE Connectivity	
MATERIAL SEE TABLE	SEE TABLE	PRODUCT SPEC APPLICATION SPEC WEIGHT	NAME HOUSING, RECEPTACLE, POSI-LOCK, 2 POSITION, 6.35 SERIES SIZE CAGE CODE DRAWING NO RESTRICTED TO A200779 C-1969717 -	
CUSTOMER DRAWING		SCALE 4:1	SHEET 1 OF 1	REV C6

单击下面可查看定价，库存，交付和生命周期等信息

[>>TE Connectivity\(泰科\)](#)